



RAYCHEM

TE Internal #: 877541-000

Twisted Pair Cable, MIL-DTL-27500, Operating Voltage 600 VAC, Tin-Coated Copper, 24 AWG Wire Size, Operating Temperature Range -65 – 150 °C

[View on TE.com >](#)

Wire & Cable > Twisted Pair Cable



Cable Type: MIL-DTL-27500

Operating Voltage: 600 VAC

Wire & Cable Insulation Material: Modified Radiation Cross-linked PVDF

Conductor Material: Tin-Coated Copper

Wire Size: 24 AWG

Features

Electrical Characteristics

Operating Voltage	600 VAC
-------------------	---------

Body Features

Cable Color	White
Wire Color (Stripe)	Blue, Green, No Stripe, Orange
Wire Color (Base)	White
Wire & Cable Insulation Material	Modified Radiation Cross-linked PVDF
Conductor Material	Tin-Coated Copper

Dimensions

Wire Size	24 AWG
-----------	--------

Usage Conditions

Cable Type	MIL-DTL-27500
Operating Temperature Range	-65 – 150 °C

Product Compliance

[For compliance documentation, visit the product page on TE.com>](#)

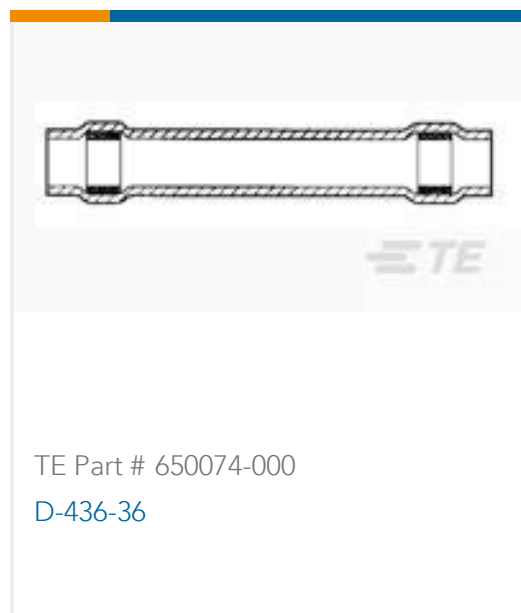
EU RoHS Directive 2011/65/EU	Compliant
EU ELV Directive 2000/53/EC	Compliant

China RoHS 2 Directive MIIT Order No 32, 2016	No Restricted Materials Above Threshold
EU REACH Regulation (EC) No. 1907/2006	Current ECHA Candidate List: JUNE 2024 (241) Candidate List Declared Against: JAN 2024 (240) Does not contain REACH SVHC
Halogen Content	Out of Scope - excluded from Halogen requirements
Solder Process Capability	Not applicable for solder process capability

Product Compliance Disclaimer

This information is provided based on reasonable inquiry of our suppliers and represents our current actual knowledge based on the information they provided. This information is subject to change. The part numbers that TE has identified as EU RoHS compliant have a maximum concentration of 0.1% by weight in homogenous materials for lead, hexavalent chromium, mercury, PBB, PBDE, DBP, BBP, DEHP, DIBP, and 0.01% for cadmium, or qualify for an exemption to these limits as defined in the Annexes of Directive 2011/65/EU (RoHS2). Finished electrical and electronic equipment products will be CE marked as required by Directive 2011/65/EU. Components may not be CE marked. Additionally, the part numbers that TE has identified as EU ELV compliant have a maximum concentration of 0.1% by weight in homogenous materials for lead, hexavalent chromium, and mercury, and 0.01% for cadmium, or qualify for an exemption to these limits as defined in the Annexes of Directive 2000/53/EC (ELV). Regarding the REACH Regulation, the information TE provides on SVHC in articles for this part number is based on the latest European Chemicals Agency (ECHA) 'Guidance on requirements for substances in articles' posted at this URL: <https://echa.europa.eu/guidance-documents/guidance-on-reach>

Compatible Parts



TE Part # 650074-000
D-436-36

Customers Also Bought



TE Part #227426-1
BNC BLKHD RECPT SEALED



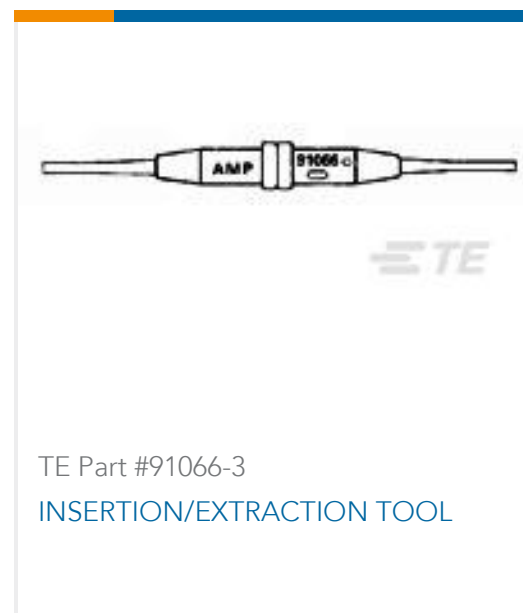
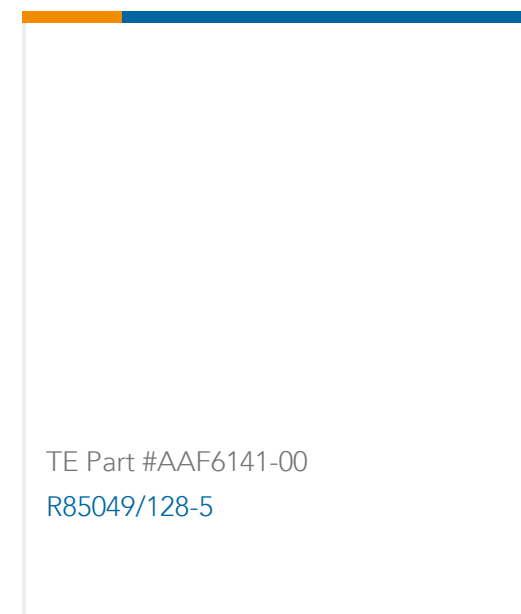
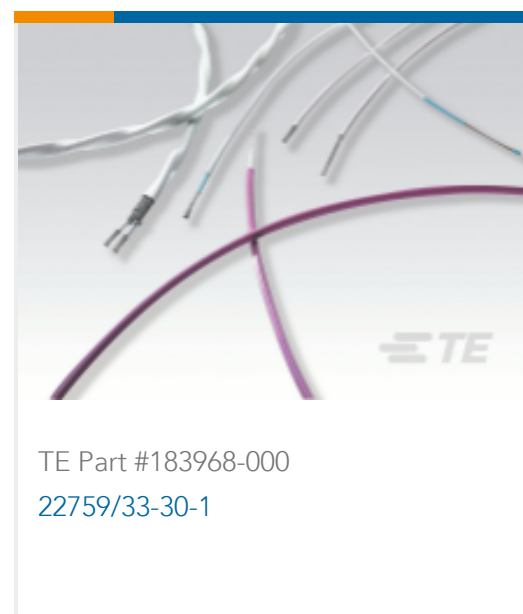
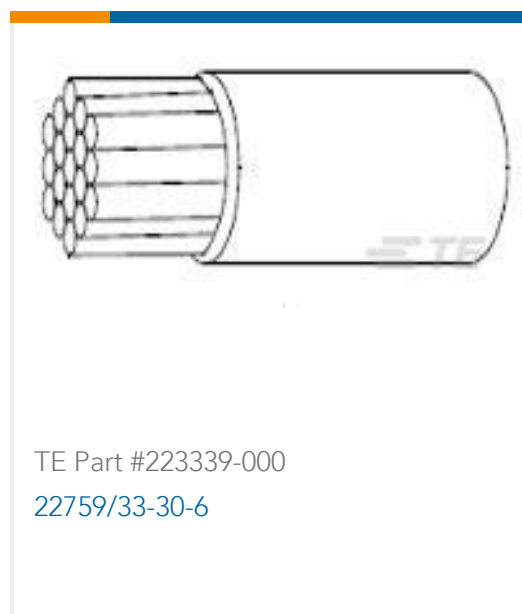
TE Part #316039-004
55A1121-24-0/9-9



TE Part #814309-000
222A111-3-0



TE Part #EL7354-000
HT-CT-50M-3/32-OUT-9



Documents

Product Drawings

[44AM1141-24-MST4-9CS2275](#)

English

Datasheets & Catalog Pages

[1654025_Sec9_SPEC44](#)

English

Product Specifications

[Product Specification](#)

English