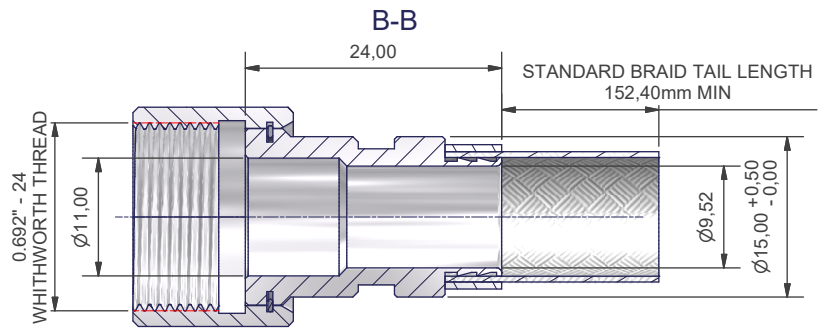
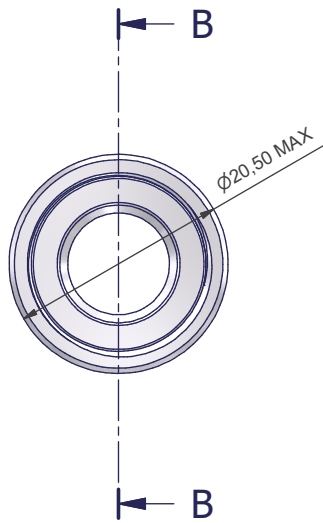


LASER PART MARK AND  
BATCH NUMBER HERE  
eg: 06090-200Z2940-19B T012345



**200Z2940-19B**

SERIES \_\_\_\_\_  
MATERIAL \_\_\_\_\_  
ALUMINIUM ALLOY  
FINISH \_\_\_\_\_  
CADMIUM OLIVE DRAB OVER  
ELECTROLESS NICKEL

Raychem Adapter  
CUSTOMER DRAWING

<b>DRAWN</b>	K.WINCZURA	DATE	24/11/2015	<p>3RD ANGLE PROJECTION NOT TO SCALE</p>
<b>CHECKED</b>		DATE	24/11/2015	
<b>APPROVED</b>	K.SHEPPARD	DATE	25/11/2015	
<b>APPROVED</b>	K.SMITH	DATE	25/11/2015	
<p>UNLESS OTHERWISE SPECIFIED ALL DIMENSIONS IN MILLIMETRES</p> <p><b>GENERAL TOL</b> LINEAR +/-0.25MM ANGULAR +/- 1°</p>				

**TITLE:**  
**BRAID TAIL BACKSHELL**

**ASSY USED ON:**



REVISIONS			
LTR	DESCRIPTION	DATE	APPROVED
A	RELEASED	25/11/2015	

TE CAGE CODE: 06090  
POLAMCO/TE CAGE CODE: U5792

TE CONNECTIVITY - POLAMCO LTD RESERVES THE RIGHT TO AMEND THIS DRAWING AND THE INFORMATION SET FORTH HEREON AT ANY TIME. USERS SHOULD INDEPENDENTLY EVALUATE THE SUITABILITY OF THE PRODUCT FOR THEIR APPLICATION.

<b>DRAWING NO:</b> <b>200Z2940</b>	<b>DRAWING REV:</b> <b>A</b>	<b>SHT</b> <b>1</b>
---------------------------------------	---------------------------------	------------------------