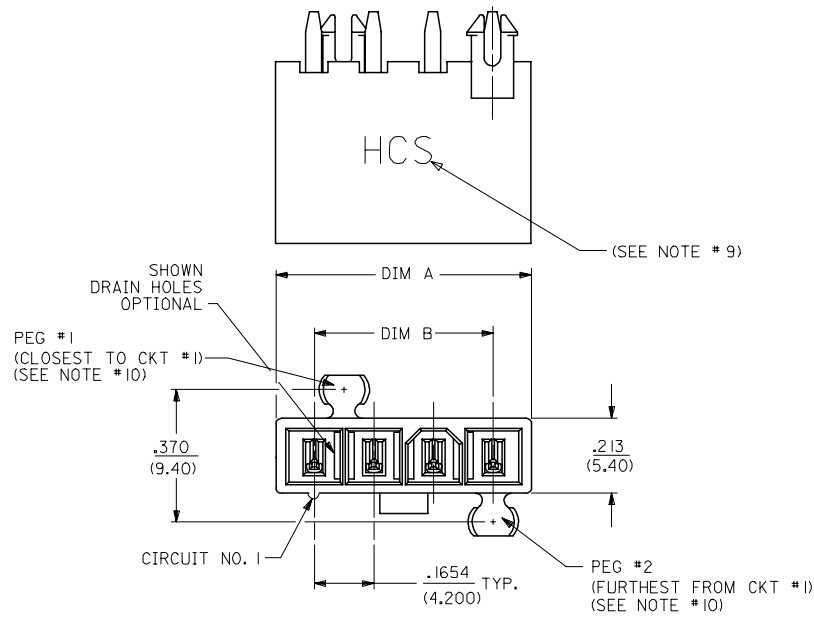
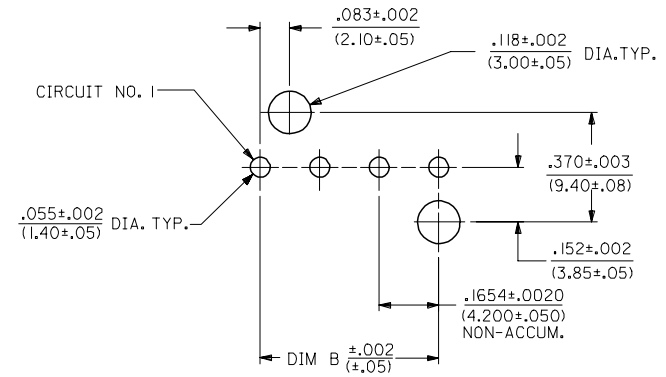
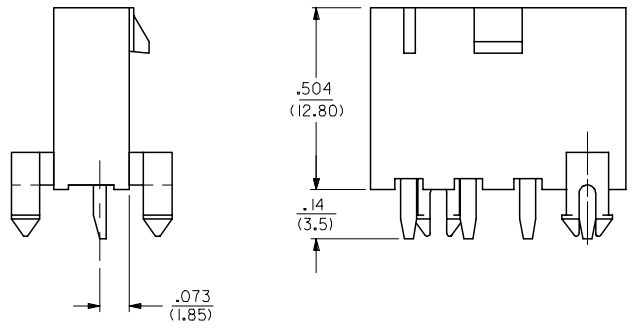


CKT SIZE	DIM A	DIM B
4	.709 (18.00)	.496 (12.60)
5	.874 (22.20)	.661 (16.80)
6	1.039 (26.40)	.827 (21.00)
7	1.205 (30.60)	.992 (25.20)
8	1.370 (34.80)	1.157 (29.40)
9	1.535 (39.00)	1.323 (33.60)
10	1.701 (43.20)	1.488 (37.80)
11	1.866 (47.40)	1.654 (42.00)
12	2.031 (51.60)	1.819 (46.20)



- NOTES:
- MATERIALS:
 - HOUSING:
 - *1*=NYLON 6/6, UL94 V-2, COLOR: NATURAL
 - *2*=NYLON 6/6, UL94 V-0, COLOR: NATURAL
 - *3*=NYLON 6/6, UL94 V-2, COLOR: BLACK
 - TERMINALS:
 - COPPER ALLOY
 - TERMINAL PLATING:
 - *1*=.000100/(0.00254) MIN. BRIGHT TIN OVER .000050/(0.00127) MIN. NICKEL
 - *2*=.000030/(0.00076) MIN. SELECT GOLD AND .000100/(0.00254) MIN. SELECT MATTE TIN OVER .000050/(0.00127) MIN. NICKEL OVERALL
 - *3*=.000100/(0.00254) MIN. MATTE TIN OVER .000050/(0.00127) MIN. NICKEL
 - *THE PRIMARY SHIPPING CARTON WILL BE LABELED "ELV AND RoHS COMPLIANT"; CARTONS WITHOUT THIS LABEL MAY CONTAIN PRODUCT WITH TIN-LEAD PLATING.
 - PRODUCT SPECIFICATION: PS-44476-001
 - PACKAGING: SEE CHARTS
 - PART MATES WITH MINI-FIT JR. RECEPTACLE NO. 5557.
 - PART IS NOT DESIGNED FOR CURRENT SHARING.
 - PARTS ARE NOT TO BE MATED OR UN-MATED WHILE CIRCUITS ARE LIVE.
 - 44472-2470 ONLY FOR WIDER LOCKING RAMP.
 - PARTS PRODUCED AFTER JULY 1, 2004 WILL HAVE "HCS" MARKING INSTEAD OF BLACK STRIPE.
 - SEE CHART FOR PARTS WITH PEGS REMOVED.
 - PART CONFORMS TO CLASS 'B' REQUIREMENTS OF COSMETIC SPECIFICATION PS-45499-002.



RECOMMENDED HOLE LAYOUT FOR
 .070/(1.78) MAX. THICK P. C. BOARD
 VIEWED FROM COMPONENT SIDE

10	L
9	L
8	L
7	L
6	L
5	L
4	L
3	L
2	L
1	L
SHT	REV

LEGEND:

44472 - ** **

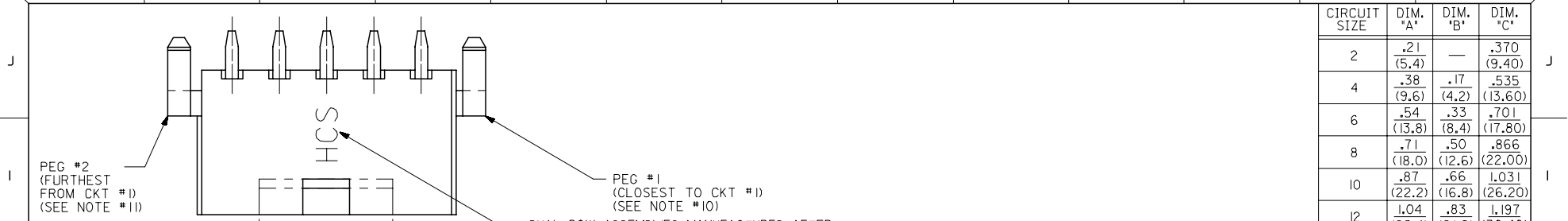
CIRCUIT SIZE
 (04-12 FOR SINGLE ROW)
 (02-24 FOR DUAL ROW)

ASSEMBLY VERSION
 (01 THRU 49 FOR SINGLE ROW)
 (50 THRU 99 FOR DUAL ROW)

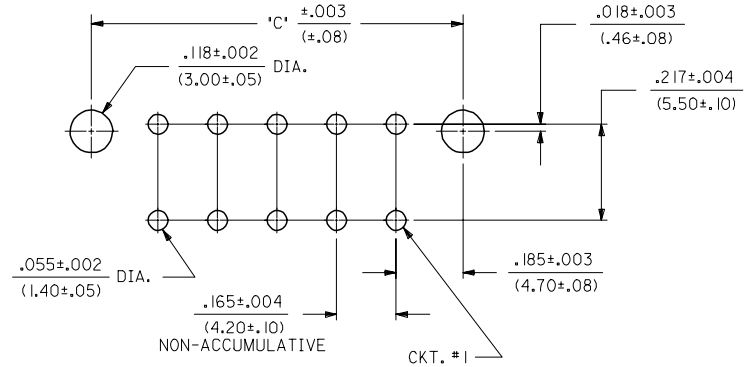
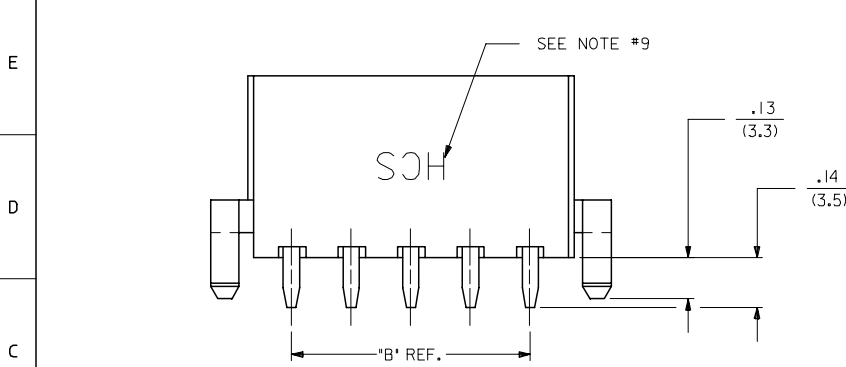
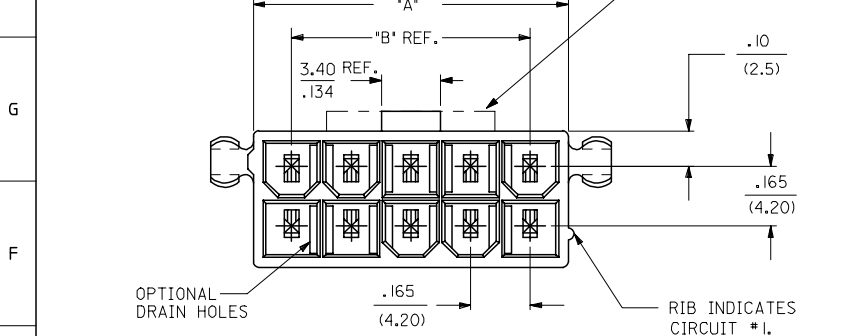
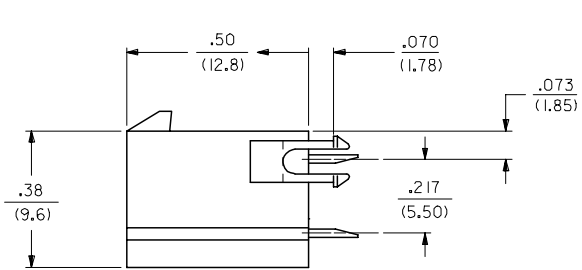
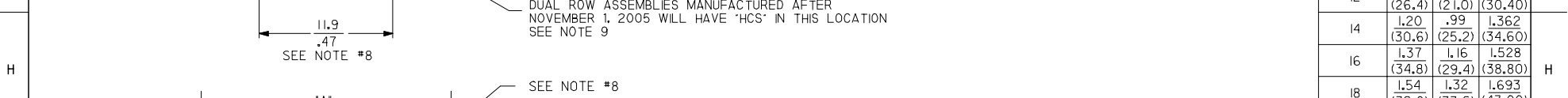
SEE SHT. 2 FOR DUAL ROW
 * THE CHART FOR SINGLE ROW PRODUCT IS ON PAGE 7

STANDARDIZE NOTES EC NO: UCP2008-0153 DRWNL:SCHMIDT 2007/09/26 CHKD:ADERR 2007/09/26 APPR:FSM TH 2007/09/26	QUALITY SYMBOLS =0 =0	GENERAL TOLERANCES (UNLESS SPECIFIED)		DIMENSION STYLE		SCALE	DESIGN UNITS	THIRD ANGLE PROJECTION	
		mm	INCH	IN/MM	DATE	4:1	METRIC		
		4 PLACES ± --- ± ---		DRAWN BY	DATE	molex		MINI-FIT VERT HDR ASSY W & W/O PEGS/DRAIN HOLES SINGLE AND DUAL ROW	
		3 PLACES ± --- ± .015		GEP	1994/07/25				
		2 PLACES ± 0.38 ± .020		CHECKED BY	DATE				
		1 PLACE ± 0.50 ± ---		RJF	1994/07/25				
		ANGULAR ±1/2°		APPROVED BY	DATE				
				RJF	1994/07/25			MOLEX INCORPORATED	
				MATERIAL NO.				DOCUMENT NO.	SHEET NO.
								SDA-44472-****	1 OF 10
DRAFT WHERE APPLICABLE MUST REMAIN WITHIN DIMENSIONS		SEE CHARTS		THIS DRAWING CONTAINS INFORMATION THAT IS PROPRIETARY TO MOLEX INCORPORATED AND SHOULD NOT BE USED WITHOUT WRITTEN PERMISSION					

13 12 11 10 9 8 7 6 5 4 3 2 1



CIRCUIT SIZE	DIM. 'A'	DIM. 'B'	DIM. 'C'
2	.21 (5.4)	—	.370 (9.40)
4	.38 (9.6)	.17 (4.2)	.535 (13.60)
6	.54 (13.8)	.33 (8.4)	.701 (17.80)
8	.71 (18.0)	.50 (12.6)	.866 (22.00)
10	.87 (22.2)	.66 (16.8)	1.031 (26.20)
12	1.04 (26.4)	.83 (21.0)	1.197 (30.40)
14	1.20 (30.6)	.99 (25.2)	1.362 (34.60)
16	1.37 (34.8)	1.16 (29.4)	1.528 (38.80)
18	1.54 (39.0)	1.32 (33.6)	1.693 (43.00)
20	1.70 (43.2)	1.49 (37.8)	1.858 (47.20)
22	1.87 (47.4)	1.65 (42.0)	2.024 (51.40)
24	2.03 (51.6)	1.82 (46.2)	2.189 (55.60)



RECOMMENDED HOLE LAYOUT FOR .070/(1.78) MAX. THICK P. C. BOARD
VIEWED FROM COMPONENT SIDE

SEE SHT. I FOR SINGLE ROW

STANDARDIZE NOTES EC NO: UCP2008-0153 DRAWN: SCHMIDT 2007/09/26 CHKD: ADERR 2007/09/26 APPR: FSM TH 2007/09/26	QUALITY SYMBOLS 	GENERAL TOLERANCES (UNLESS SPECIFIED)		DIMENSION STYLE IN/MM		SCALE 4:1	DESIGN UNITS METRIC	THIRD ANGLE PROJECTION	
		mm	INCH	DRAWN BY	DATE	TITLE			
		4 PLACES ± --- ± ---	± .015	GEP	1994/07/26	MINI-FIT VERT HDR ASSY W & W/O PEGS/DRAIN HOLES SINGLE AND DUAL ROW			
		3 PLACES ± --- ± .020	± .020	RJF	1994/07/26	MOLEX INCORPORATED			
2 PLACES ± 0.38 ± .020	± .020	APPROVED BY	DATE	MATERIAL NO.		DOCUMENT NO.	SHEET NO.		
1 PLACE ± 0.50 ± ---	± .020	RJF	1994/07/26	SDA-44472-****		2 OF 10			
ANGULAR ±1/2°		DRAFT WHERE APPLICABLE MUST REMAIN WITHIN DIMENSIONS		SEE CHARTS		THIS DRAWING CONTAINS INFORMATION THAT IS PROPRIETARY TO MOLEX INCORPORATED AND SHOULD NOT BE USED WITHOUT WRITTEN PERMISSION			

12 11 10 9 8 7 6 5 4 3 2 1


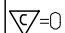
13 12 11 10 9 8 7 6 5 4 3 2 1

J	PLATING: 1 (SEE NOTE 2)	PLATING: 1 (SEE NOTE 2)	PLATING: 1 (SEE NOTE 2)	PLATING: 1 (SEE NOTE 2)
	DRAINS: WITH DRAIN HOLES	DRAINS: WITH DRAIN HOLES	DRAINS: WITHOUT DRAIN HOLES	DRAINS: WITHOUT DRAIN HOLES
	PEGS: WITH PEGS	PEGS: WITH PEGS	PEGS: WITH PEGS	PEGS: WITH PEGS
	MAT'L: 94V-2 [NATURAL]	MAT'L: 94V-0 [NATURAL]	MAT'L: 94V-2 [NATURAL]	MAT'L: 94V-0 [NATURAL]
	PACKAGING: PK-5566-002	PACKAGING: PK-5566-002	PACKAGING: PK-5566-002	PACKAGING: PK-5566-002

	ITEM NO.	CKTS		ITEM NO.	CKTS		ITEM NO.	CKTS		ITEM NO.	CKTS
	44472-0401	4	X	44472-0402	4	X	44472-0403	4	X	44472-0404	4
X	44472-0501	5	X	44472-0502	5	X	44472-0503	5	X	44472-0504	5
X	44472-0601	6	X	44472-0602	6	X	44472-0603	6	X	44472-0604	6
X	44472-0701	7	X	44472-0702	7	X	44472-0703	7	X	44472-0704	7
X	44472-0801	8	X	44472-0802	8	X	44472-0803	8	X	44472-0804	8
X	44472-0901	9	X	44472-0902	9	X	44472-0903	9	X	44472-0904	9
X	44472-1001	10	X	44472-1002	10	X	44472-1003	10	X	44472-1004	10
X	44472-1101	11	X	44472-1102	11	X	44472-1103	11	X	44472-1104	11
X	44472-1201	12	X	44472-1202	12	X	44472-1203	12	X	44472-1204	12

G	PLATING: 2 (SEE NOTE 2)	PLATING: 2 (SEE NOTE 2)	PLATING: 2 (SEE NOTE 2)	PLATING: 2 (SEE NOTE 2)
	DRAINS: WITH DRAIN HOLES	DRAINS: WITH DRAIN HOLES	DRAINS: WITH DRAIN HOLES	DRAINS: WITH DRAIN HOLES
	PEGS: WITHOUT PEGS	PEGS: WITHOUT PEGS	PEGS: WITHOUT PEGS	PEGS: WITH PEGS
	MAT'L: 94V-2 [NATURAL]	MAT'L: 94V-0 [NATURAL]	MAT'L: 94V-2 [NATURAL]	MAT'L: 94V-0 [NATURAL]
	PACKAGING: PK-5566-002	PACKAGING: PK-5566-002	PACKAGING: PK-5566-002	PACKAGING: PK-5566-002

	ITEM NO.	CKTS		ITEM NO.	CKTS		ITEM NO.	CKTS		ITEM NO.	CKTS
X	44472-0405	4	X	44472-0406	4	X	44472-0407	4	X	44472-0408	4
X	44472-0505	5	X	44472-0506	5	X	44472-0507	5	X	44472-0508	5
X	44472-0605	6	X	44472-0606	6	X	44472-0607	6	X	44472-0608	6
X	44472-0705	7	X	44472-0706	7	X	44472-0707	7	X	44472-0708	7
X	44472-0805	8	X	44472-0806	8	X	44472-0807	8	X	44472-0808	8
X	44472-0905	9	X	44472-0906	9	X	44472-0907	9	X	44472-0908	9
X	44472-1005	10	X	44472-1006	10	X	44472-1007	10	X	44472-1008	10
X	44472-1105	11	X	44472-1106	11	X	44472-1107	11	X	44472-1108	11
X	44472-1205	12	X	44472-1206	12	X	44472-1207	12	X	44472-1208	12

A	B	C	D	E	F	G	H	I	J	<p>TRAY PACKAGING EC NO: UCP2008-0153 DRW:LSCHH1 DT 2007/09/26 CHKD:ADERR 2007/09/26 APPR:FSM TH 2007/09/26</p>	<p>QUALITY SYMBOLS  </p>	<p>GENERAL TOLERANCES (UNLESS SPECIFIED)</p> <table border="1"> <tr> <th></th> <th>mm</th> <th>INCH</th> </tr> <tr> <td>4 PLACES</td> <td>± .005</td> <td>± .0002</td> </tr> <tr> <td>3 PLACES</td> <td>± .005</td> <td>± .0002</td> </tr> <tr> <td>2 PLACES</td> <td>± .005</td> <td>± .0002</td> </tr> <tr> <td>1 PLACE</td> <td>± .005</td> <td>± .0002</td> </tr> <tr> <td colspan="3">ANGULAR ±1/2°</td> </tr> </table>		mm	INCH	4 PLACES	± .005	± .0002	3 PLACES	± .005	± .0002	2 PLACES	± .005	± .0002	1 PLACE	± .005	± .0002	ANGULAR ±1/2°			<p>DIMENSION STYLE IN/MM</p> <p>DRAWN BY DATE LEM 1999/02/26</p> <p>CHECKED BY DATE MAB 1999/02/26</p> <p>APPROVED BY DATE RRE 1999/02/26</p> <p>MATERIAL NO.</p>	<p>SCALE ---</p> <p>DESIGN UNITS INCH</p> <p>THIRD ANGLE PROJECTION</p>	<p>TITLE MINI-FIT VERT HDR ASSY W & W/O PEGS/DRAIN HOLES SINGLE AND DUAL ROW</p> <p>Molex MOLEX INCORPORATED</p>	<p>SHEET NO. 7 OF 10</p>
											mm	INCH																						
4 PLACES	± .005	± .0002																																
3 PLACES	± .005	± .0002																																
2 PLACES	± .005	± .0002																																
1 PLACE	± .005	± .0002																																
ANGULAR ±1/2°																																		
<p>DRAFT WHERE APPLICABLE MUST REMAIN WITHIN DIMENSIONS</p>	<p>SEE CHART</p>	<p>SDA-44472-****</p>																																

ib_frame_C_P_ME T 12 11 10 9 8 7 6 5 4 3 2 1
 Rev. E 2006/04/15