

**PLEASE CHECK WWW.MOLEX.COM FOR LATEST PART INFORMATION**

**Part Number:** [44432-1001](#)  
**Status:** **Active**  
**Overview:** Micro-Fit 3.0™ Connectors  
**Description:** 3.00mm Pitch Micro-Fit 3.0 BMI™ Header, Surface Mount Compatible, Dual Row, Vertical, with PCB Polarizing Peg, 10 Circuits, Tin (Sn) Plating

**Documents:**

|  |  |
|--|--|
| <a href="#">3D Model</a>                                 | <a href="#">RoHS Certificate of Compliance (PDF)</a> |
| <a href="#">Drawing (PDF)</a>                            | <a href="#">Product Literature (PDF)</a>             |
| <a href="#">Product Specification PS-44300-001 (PDF)</a> |  |

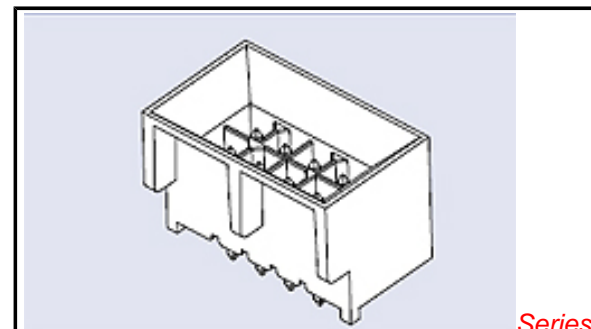


image - Reference only

Series

**Agency Certification**

|     |           |
|-----|-----------|
| CSA | LR19980   |
| TUV | R72081037 |
| UL  | E29179    |

**General**

|                             |  |
|-----------------------------|--|
| Product Family              | PCB Headers  |
| Series                      | <a href="#">44432</a>  |
| Application                 | Board-to-Board, Power, Wire-to-Board                                 |
| Comments                    | High Temperature Square Pin Offset Through Hole Mounting Solder Type |
| Overview                    | <a href="#">Micro-Fit 3.0™ Connectors</a>                            |
| Product Literature Order No | 987650-5984  |
| Product Name                | Micro-Fit 3.0 BMI™   |
| UPC                         | 800756377902   |

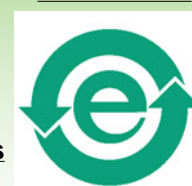
**Physical**

|                                |                                |
|--------------------------------|--------------------------------|
| Breakaway                      | No                             |
| Circuits (Loaded)              | 10                             |
| Circuits (maximum)             | 10                             |
| Color - Resin                  | Black                          |
| Durability (mating cycles max) | 30                             |
| Flammability                   | 94V-0                          |
| Glow-Wire Compliant            | No                             |
| Material - Metal               | Brass                          |
| Material - Plating Mating      | Tin                            |
| Material - Plating Termination | Tin                            |
| Material - Resin               | High Temperature Thermoplastic |
| Net Weight                     | 2.020/g                        |
| Number of Rows                 | 2                              |
| Orientation                    | Vertical                       |
| PC Tail Length                 | 3.30mm                         |
| PCB Locator                    | Yes                            |
| PCB Retention                  | Yes                            |
| PCB Thickness - Recommended    | 1.60mm                         |
| Packaging Type                 | Tray                           |
| Pitch - Mating Interface       | 3.00mm                         |
| Plating min - Mating           | 5.080µm                        |
| Plating min - Termination      | 5.080µm                        |
| Polarized to PCB               | Yes                            |
| Shrouded                       | Fully                          |
| Stackable                      | No                             |
| Surface Mount Compatible (SMC) | Yes                            |
| Temperature Range - Operating  | -40°C to +105°C                |
| Termination Interface: Style   | Through Hole                   |

**EU RoHS**

**ELV and RoHS Compliant**  
**REACH SVHC**  
**Contains SVHC: No**  
**Low-Halogen Status**  
**Not Low-Halogen**

**China RoHS**



**Need more information on product environmental compliance?**

Email [productcompliance@molex.com](mailto:productcompliance@molex.com)  
 For a multiple part number RoHS Certificate of Compliance, [click here](#)

Please visit the [Contact Us](#) section for any non-product compliance questions.

**Search Parts in this Series**

[44432Series](#)

**Mates With**

[44133](#) , [44764](#) , [44769](#)

**Electrical**

Current - Maximum per Contact 5A  
Voltage - Maximum 250V

**Solder Process Data**

Duration at Max. Process Temperature (seconds) 5  
Lead-free Process Capability Wave Capable (TH only)  
Max. Cycles at Max. Process Temperature 1  
Process Temperature max. C 260

**Material Info****Reference - Drawing Numbers**

Product Specification PS-44300-001, RPS-44300-001  
Sales Drawing SD-44432-001

This document was generated on 01/22/2013

**PLEASE CHECK [WWW.MOLEX.COM](http://WWW.MOLEX.COM) FOR LATEST PART INFORMATION**