

PLEASE CHECK WWW.MOLEX.COM FOR LATEST PART INFORMATION

Part Number: [0442821104](#)
Status: **Active**
Overview: Magnetic and Modular Jacks/Plugs
Description: Modular Jack, Right-Angle, LCP, Surface Mount, 8/8, 1.27µm Gold Plating, with Location Tabs

Documents:

[3D Model](#) [Packaging Specification 708737011-000 \(PDF\)](#)
[Drawing \(PDF\)](#) [RoHS Certificate of Compliance \(PDF\)](#)
[3D Model \(PDF\)](#)

General

Product Family	Modular Jacks/Plugs
Series	44282
Component Type	PCB Jack
Magnetic	No
Overview	<u>Magnetic and Modular Jacks/Plugs</u>
Performance Category	3
Power over Ethernet (PoE)	N/A
Product Name	Modular Jack 8/8
UPC	191128863551

Physical

Color - Resin	Black
Durability (mating cycles max)	500
Inverted / Top Latch	No
Jack Height	13.45mm
Lightpipes/LEDs	None
Material - Metal	Phosphor Bronze
Material - Plating Mating	Gold
Material - Plating Termination	Tin
Material - Resin	Liquid Crystal Polymer
Net Weight	4.078/g
Orientation	Right Angle (Side Entry)
PCB Locator	Yes
PCB Retention	Yes
Packaging Type	Embossed Tape on Reel
Pitch - Mating Interface	1.02mm
Pitch - Termination Interface	1.27mm
Plating min - Mating	1.270µm
Plating min - Termination	2.540µm
Port Configuration	1x1
Positions / Loaded Contacts	8/8
Surface Mount Compatible (SMC)	N/A
Temperature Range - Operating	-40° to +80°C
Termination Interface: Style	Surface Mount
Wire/Cable Type	N/A

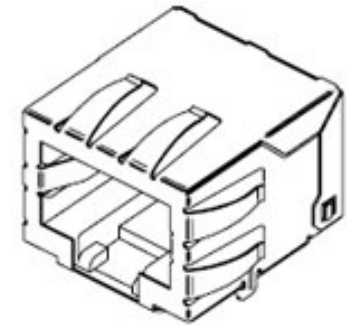
Electrical

Current - Maximum per Contact	1.5A
Shielded	No
Voltage - Maximum	125V

Material Info

Reference - Drawing Numbers

Packaging Specification	708737011-000
Sales Drawing	442820101-000



Series image - Reference only

EU ELV

Not Relevant

EU RoHS

Not Reviewed

REACH SVHC

Not Contained Per -
ED/61/2018 (27 June
2018)

Halogen-Free

Status

Low-Halogen

For more information, please visit [Contact US](#)

China ROHS

ELV

RoHS Phthalates

China RoHS

Green Image

Not Relevant

Not Contained

Search Parts in this Series

[44282 Series](#)

This document was generated on 09/14/2020

PLEASE CHECK WWW.MOLEX.COM FOR LATEST PART INFORMATION