

**PLEASE CHECK WWW.MOLEX.COM FOR LATEST PART INFORMATION**

**Part Number:** [0442820101](#)  
**Status:** **Active**  
**Overview:** Magnetic and Modular Jacks/Plugs  
**Description:** Modular Jack, Right-Angle, LCP, Surface Mount, Shielded, 8/8, 1.27µm Gold Plating, with Location Tabs

**Documents:**

[3D Model](#) [Packaging Specification 708737011-000 \(PDF\)](#)  
[Drawing \(PDF\)](#) [RoHS Certificate of Compliance \(PDF\)](#)  
[3D Model \(PDF\)](#)

**General**

Product Family	Modular Jacks/Plugs
Series	<a href="#">44282</a>
Component Type	PCB Jack
Magnetic	No
Overview	<u>Magnetic and Modular Jacks/Plugs</u>
Performance Category	3
Power over Ethernet (PoE)	N/A
Product Name	Modular Jack 8/8
UPC	191128863544

**Physical**

Color - Resin	Black
Durability (mating cycles max)	500
Inverted / Top Latch	No
Jack Height	13.45mm
Lightpipes/LEDs	None
Material - Metal	Brass, Phosphor Bronze
Material - Plating Mating	Gold
Material - Plating Termination	Tin
Material - Resin	Liquid Crystal Polymer
Net Weight	3.996/g
Orientation	Right Angle (Side Entry)
PCB Locator	Yes
PCB Retention	Yes
Packaging Type	Embossed Tape on Reel
Pitch - Mating Interface	1.02mm
Pitch - Termination Interface	1.27mm
Plating min - Mating	1.270µm
Plating min - Termination	2.540µm
Port Configuration	1x1
Positions / Loaded Contacts	8/8
Surface Mount Compatible (SMC)	N/A
Temperature Range - Operating	-40° to +80°C
Termination Interface: Style	Surface Mount
Wire/Cable Type	N/A

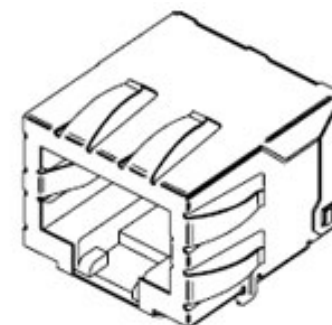
**Electrical**

Current - Maximum per Contact	1.5A
Shielded	No
Voltage - Maximum	125V

**Material Info**

**Reference - Drawing Numbers**

Packaging Specification	708737011-000
Sales Drawing	442820101-000



*Series image - Reference only*

**EU ELV**

**Not Relevant**

**EU RoHS**

**Compliant**

**REACH SVHC**

Not Contained Per -  
D(2020)4578-DC (25  
June 2020)

**Halogen-Free**

**Status**

**Low-Halogen**

For more information, please visit [Contact US](#)

China ROHS

ELV

RoHS Phthalates

**China RoHS**

Green Image

Not Relevant

Not Contained

**Search Parts in this Series**

[44282 Series](#)

This document was generated on 09/28/2020

**PLEASE CHECK [WWW.MOLEX.COM](http://WWW.MOLEX.COM) FOR LATEST PART INFORMATION**