

318-LM ✓ ACTIVE

TE Internal #: 441072-000

UL, Width 50.8 mm [2 in], Height 25.4 mm [1 in], Metalized Silver, Polyester, Label Thickness 80 Micron, Standard Labels

[View on TE.com >](#)



Identification & Labeling > Labels > Standard Labels > Metalized Polyester Labels - LM Series



Label Type: **Industrial Label**

Label Style: **Die-Cut**

Label Adhesive Type: **Permanent Pressure Sensitive Acrylic Adhesive**

Compatible With Agency/Standards Products: **UL**

Product Width: **50.8 mm [2 in]**

[All Metalized Polyester Labels - LM Series \(7\)](#)

Features

Product Type Features

Label Type	Industrial Label
------------	------------------

Body Features

Primary Product Color	Metalized Silver
Primary Product Material	Polyester

Dimensions

Product Width	50.8 mm[2 in]
Product Height	25.4 mm[1 in]

Usage Conditions

Operating Temperature Range	-40 – 150 °C[-40 – 302 °F]
-----------------------------	----------------------------

Printer/Label Features

Number of Labels Across	4
Label Style	Die-Cut
Label Thickness	80 Micron

Industry Standards

Compatible With Agency/Standards Products	UL
---	----

Packaging Features

--	--



Packaging Method	Sheet
------------------	-------

Other

Label Adhesive Type	Permanent Pressure Sensitive Acrylic Adhesive
---------------------	---

Product Compliance

[For compliance documentation, visit the product page on TE.com>](#)

EU RoHS Directive 2011/65/EU	Compliant
EU ELV Directive 2000/53/EC	Compliant
China RoHS 2 Directive MIIT Order No 32, 2016	No Restricted Materials Above Threshold
EU REACH Regulation (EC) No. 1907/2006	Current ECHA Candidate List: JUNE 2024 (241) Candidate List Declared Against: JUNE 2023 (235) Does not contain REACH SVHC
Halogen Content	Low Halogen - Br, Cl, F, I < 900 ppm per homogenous material. Also BFR/CFR/PVC Free
Solder Process Capability	Not applicable for solder process capability

Product Compliance Disclaimer

This information is provided based on reasonable inquiry of our suppliers and represents our current actual knowledge based on the information they provided. This information is subject to change. The part numbers that TE has identified as EU RoHS compliant have a maximum concentration of 0.1% by weight in homogenous materials for lead, hexavalent chromium, mercury, PBB, PBDE, DBP, BBP, DEHP, DIBP, and 0.01% for cadmium, or qualify for an exemption to these limits as defined in the Annexes of Directive 2011/65/EU (RoHS2). Finished electrical and electronic equipment products will be CE marked as required by Directive 2011/65/EU. Components may not be CE marked. Additionally, the part numbers that TE has identified as EU ELV compliant have a maximum concentration of 0.1% by weight in homogenous materials for lead, hexavalent chromium, and mercury, and 0.01% for cadmium, or qualify for an exemption to these limits as defined in the Annexes of Directive 2000/53/EC (ELV). Regarding the REACH Regulation, the information TE provides on SVHC in articles for this part number is based on the latest European Chemicals Agency (ECHA) 'Guidance on requirements for substances in articles' posted at this URL: <https://echa.europa.eu/guidance-documents/guidance-on-reach>

Compatible Parts



Customers Also Bought



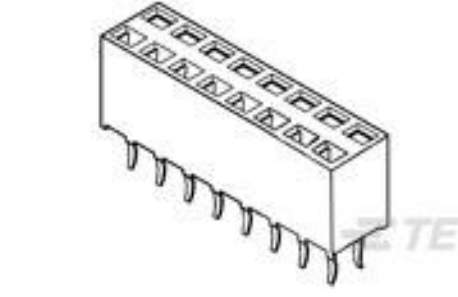
TE Part #963357-2
Low & Medium Power Header



TE Part #5745783-4
25 MSFL RCPT RA 318 (IN,FM)



TE Part #NB15944001
RT-375-1/2-X-SP



TE Part #2-215307-0
2X20P HV100 REC CON. TE, 7.0MM



TE Part #1-66359-4
III+ PIN,18-14,TIN,STRIP



TE Part #208979-2
CONV OUTLET ASSY (BLACK)



TE Part #180453-1
FF 312 REC 1-2.5MM2 BR



TE Part #5-146278-4
04 MODII HDR SRST B/A .100CL

Documents

Product Drawings

318-LM

English

Datasheets & Catalog Pages

IDENTIFICATION SELECTION GUIDE

English

LE White Polyester labels

English