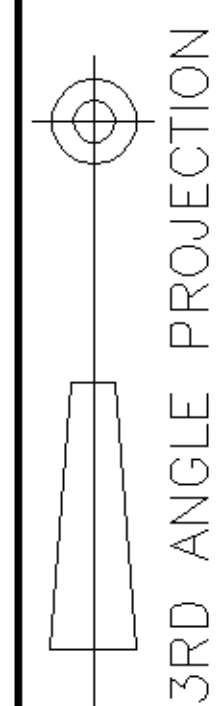


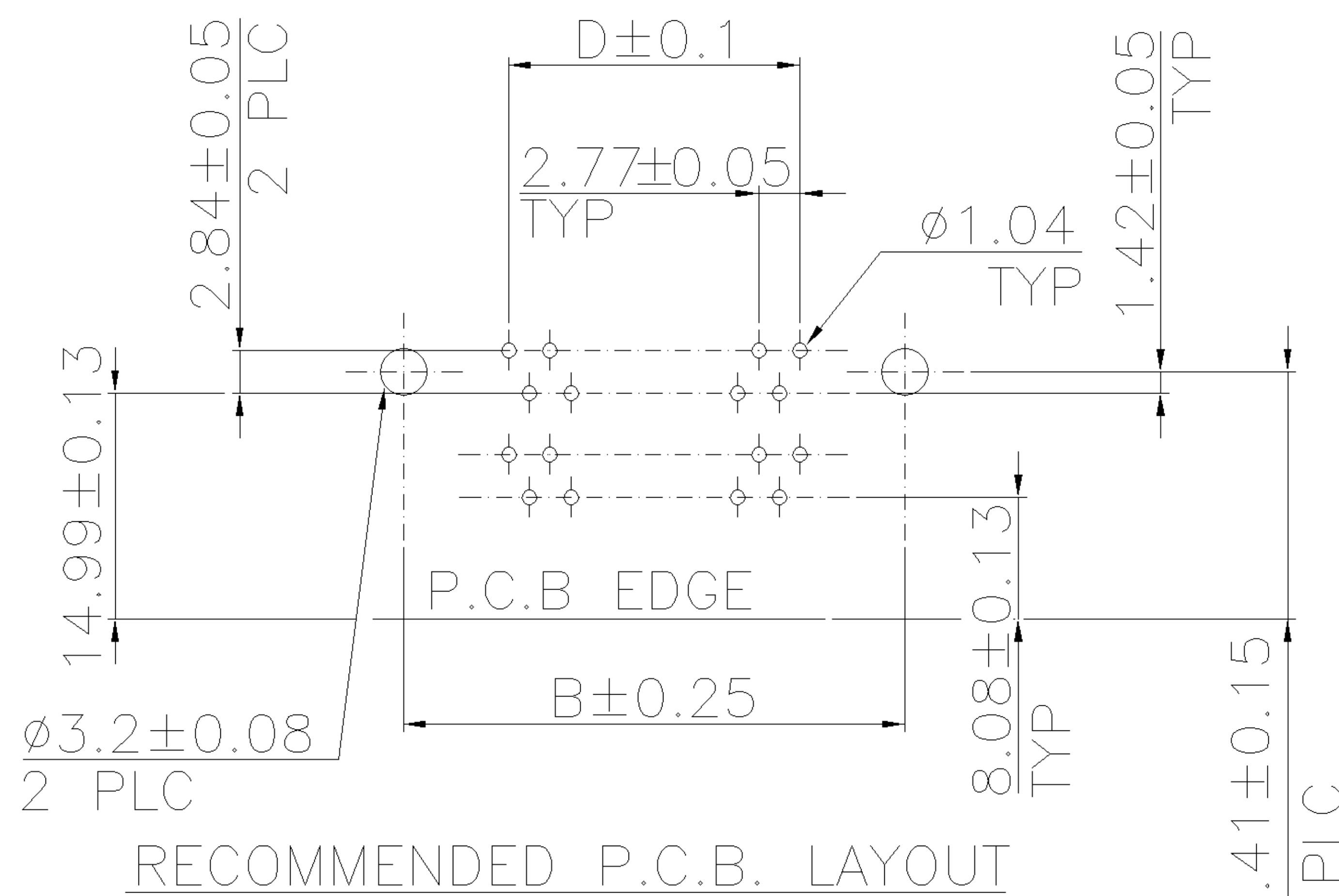
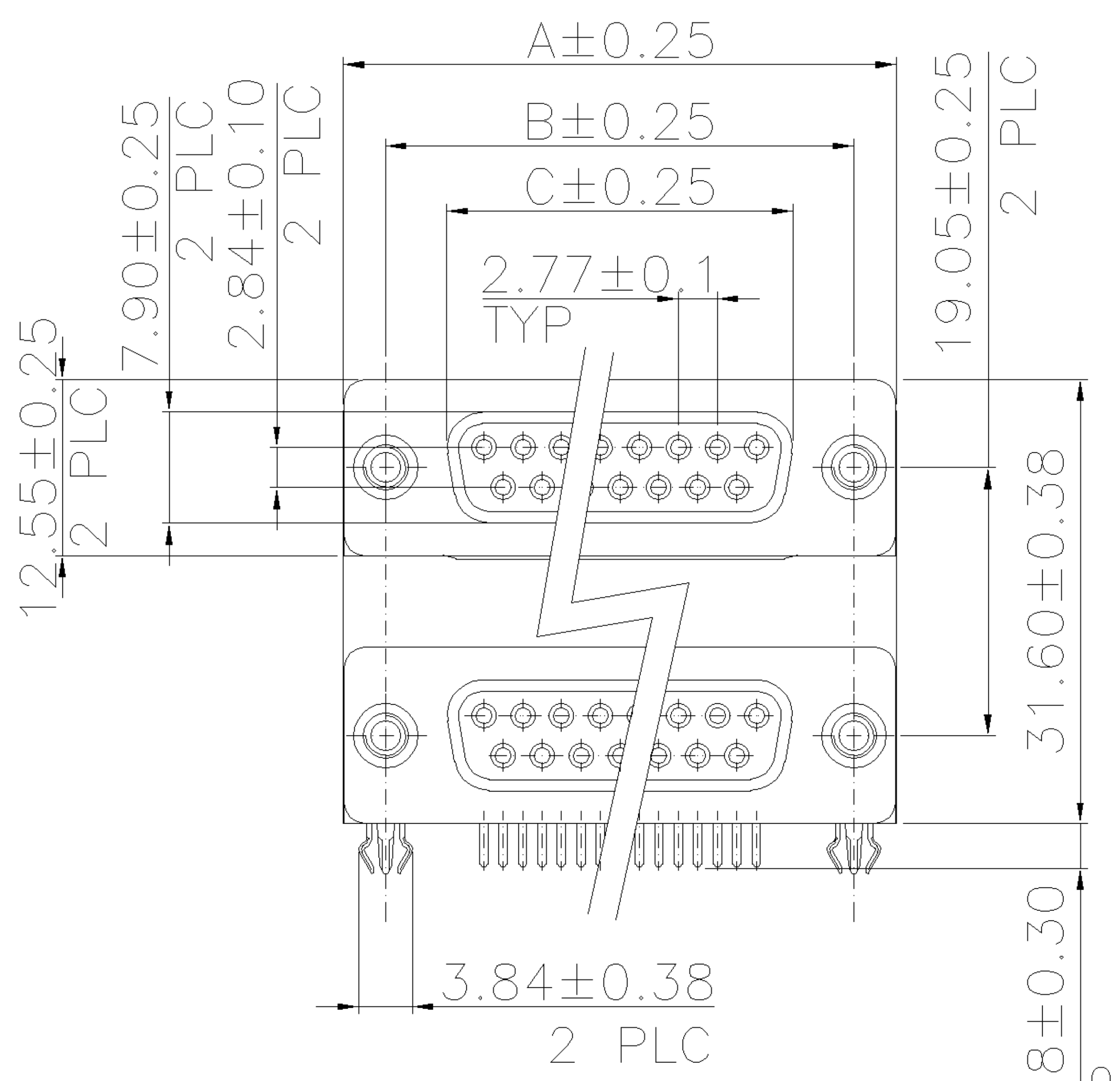
NUMBER
C-440397



METRIC

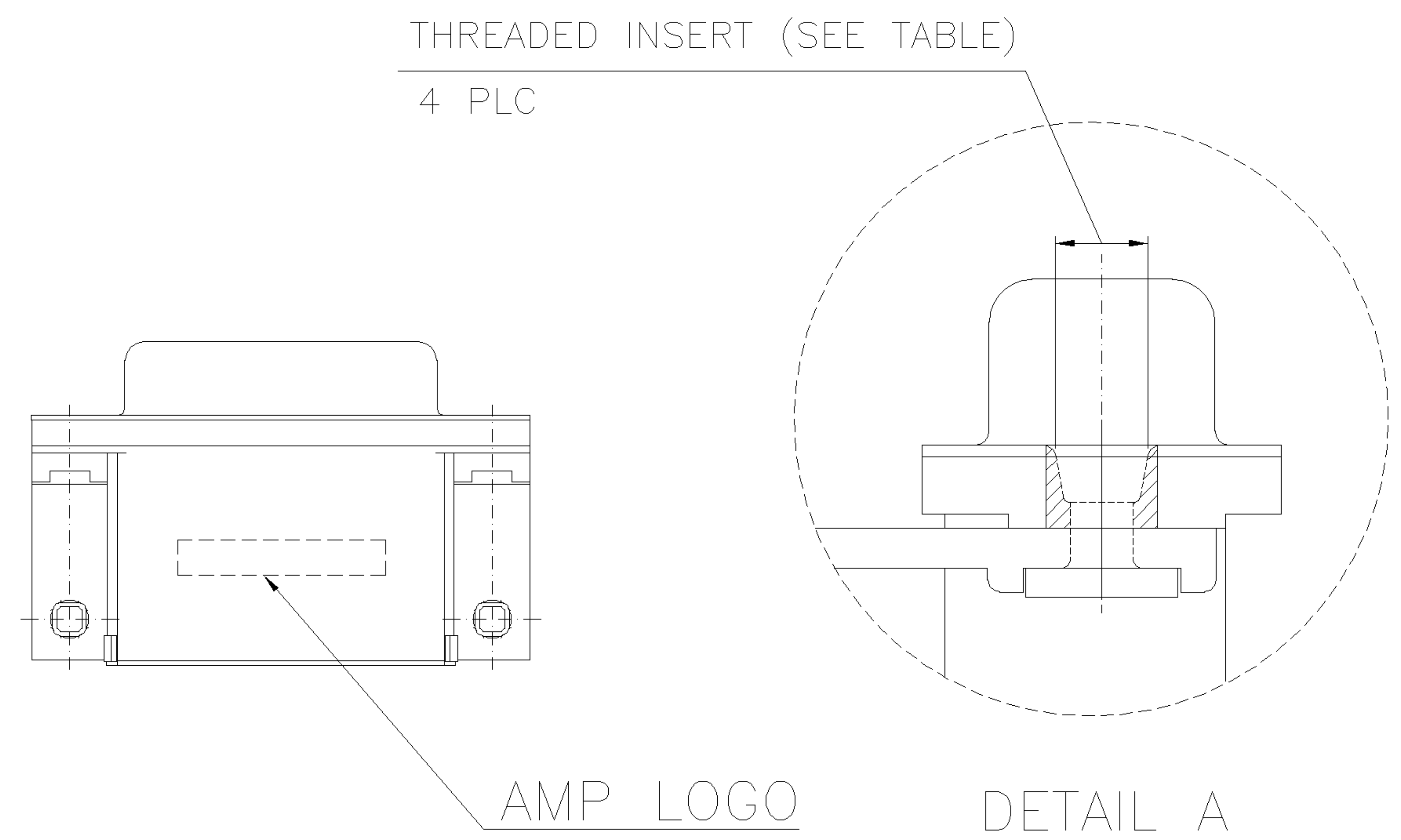
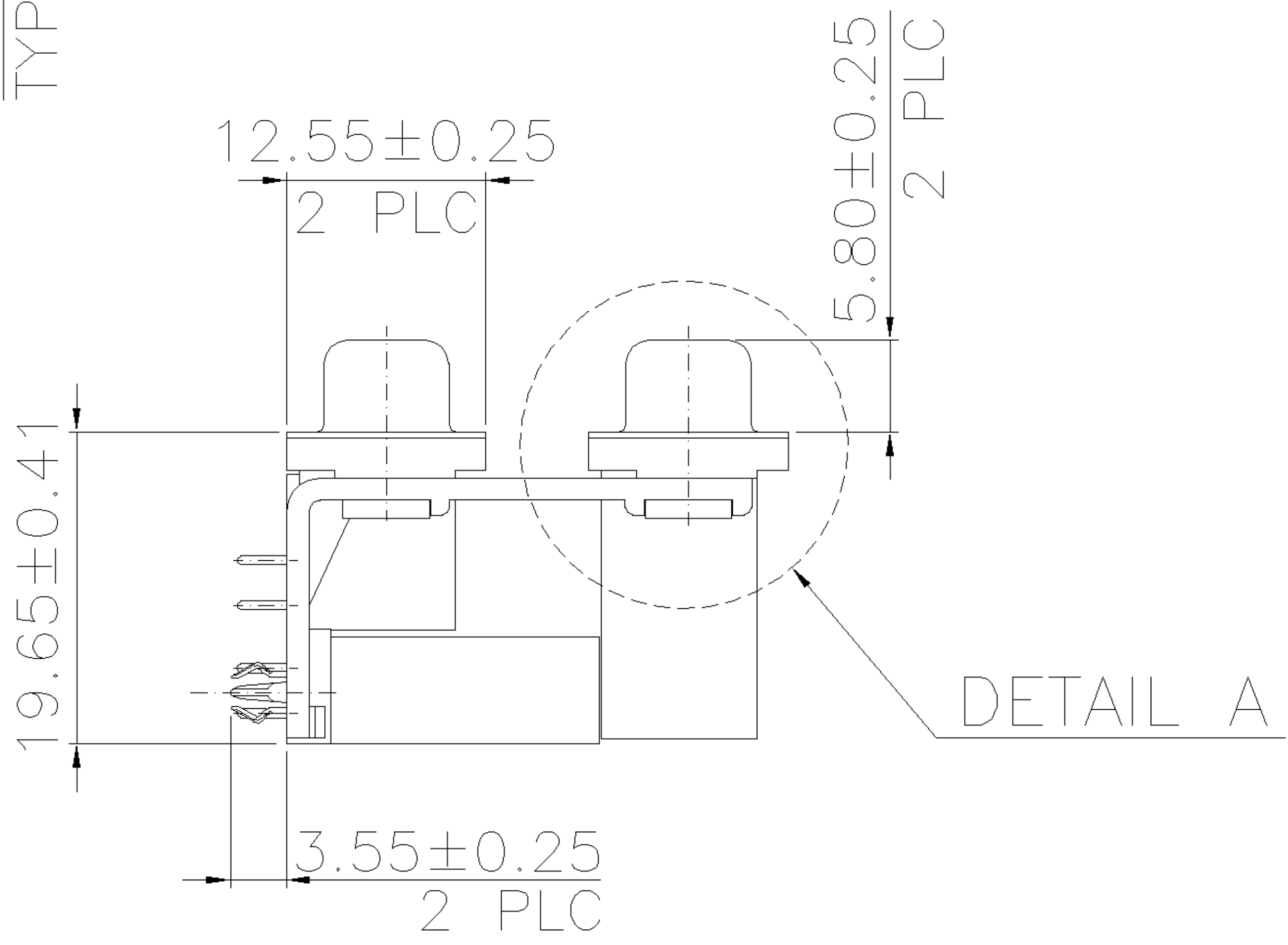
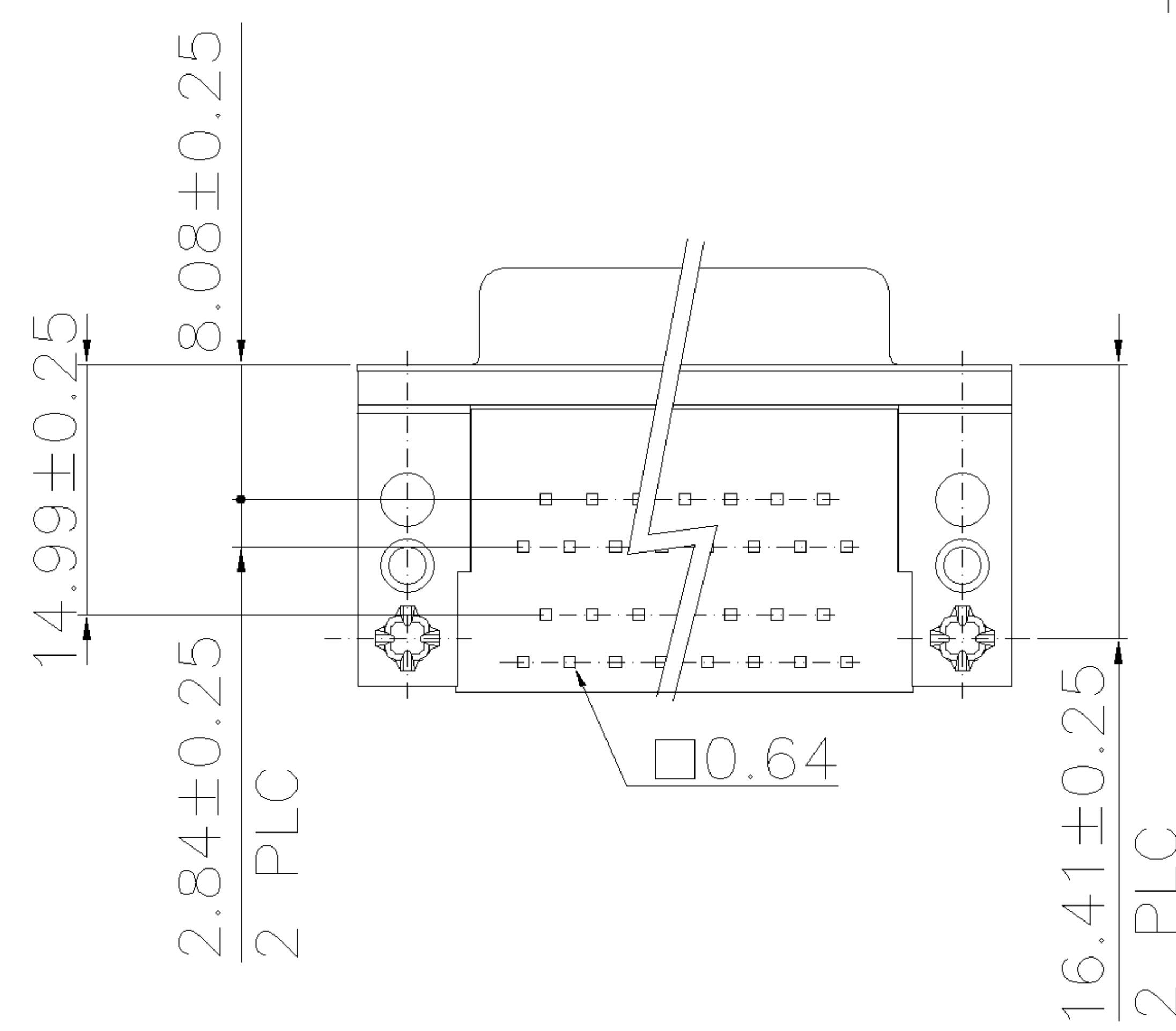
THIS INFORMATION IS CONFIDENTIAL AND IS DISCLOSED TO YOU ON CONDITION THAT NO FURTHER DISCLOSURE IS MADE BY YOU TO OTHER THAN AMP PERSONNEL WITHOUT WRITTEN AUTHORIZATION FROM AMP (TAIWAN) LTD. DIMENSIONS IN MILLIMETERS. DO NOT SCALE PRINT.

PRINT DIST
DW



NOTE:

- SPECIFICATIONS:
CURRENT RATING: 2 AMPS.
VOLTAGE RATING: 250 VAC.
DIELECTRIC WITHSTANDING VOLTAGE: 500 VAC(RMS).
INSULATION RESISTANCE: 1000 MEGOHMS MIN.
CONTACT RESISTANCE: 30 MILLIOHMS MAX.
OPERATING TEMPERATURE: -55° TO 105°C
- SPECIFICATIONS SUBJECT TO CHANGE WITHOUT NOTICE.
CONTACT AMP FOR THE LATEST SPECIFICATIONS.
- CHOOSE PRE-FIX FROM LEFT TABLE AND SUFFIX FROM RIGHT TABLE FOR DESIRED PART NUMBER COMBINATION.
- RECOMMENDED THREAD LENGTH OF SCREW : 5.0mm MIN.



| | | | | | | |
|------------|-------|-----------------|-------|-------|-------|-------|
| 9-440397-X | 37-37 | M3 X 0.5 | 69.34 | 63.50 | 54.80 | 49.86 |
| 8-440397-X | 9-9 | M3 X 0.5 | 30.95 | 24.99 | 16.20 | 11.08 |
| 3-440397-X | 37-37 | #4-40 UNC | 69.34 | 63.50 | 54.80 | 49.86 |
| 2-440397-X | 25-25 | #4-40 UNC | 53.10 | 47.04 | 38.30 | 33.24 |
| 1-440397-X | 15-15 | #4-40 UNC | 39.30 | 33.30 | 24.60 | 19.39 |
| 440397-X | 9-9 | #4-40 UNC | 30.95 | 24.99 | 16.20 | 11.08 |
| PART NO. | PINS | THREADED INSERT | A | B | C | D |

| | | | |
|------------|--------------|-------------------|---------------------|
| X-440397-6 | 30 u" | PC99/ACTUAL COLOR | 37-37 NOT AVAILABLE |
| X-440397-5 | 10 u" | PC99/ACTUAL COLOR | |
| X-440397-4 | GOLD FLASH | PC99/ACTUAL COLOR | |
| X-440397-3 | 30 u" | BLACK | |
| X-440397-2 | 10 u" | BLACK | |
| X-440397-1 | GOLD FLASH | BLACK | |
| PART NO. | GOLD PLATING | HSG COLOR | |

| | |
|--|--------------------------------|
| TOLERANCES UNLESS OTHERWISE SPECIFIED: 0 PLC ± 1 PLC ±0.12 2 PLC ±0.06 3 PLC ± ANGLES ±1' | DWN J. LEE 02-SEP-2005 |
| MATERIAL HOUSING: THERMOPLASTIC, UL94V-0 CONTACT: COPPER ALLOY BRACKET: ZINC ALLOY SHELL: STEEL | CHK S. HOU 02-SEP-2005 |
| FINISH CONTACT AREA: GOLD (SEE TABLE) OVER 50u" MIN. NICKEL SOLDER TAILS: 100u" TIN-LEAD OVER 50u" MIN. NICKEL | APVD W.J. KE 02-SEP-2005 |
| | PRODUCT SPEC SEE NOTE 1. |
| | APPLICATION SPEC - |
| | WEIGHT |

tyco TYCO HOLDINGS (BERMUDA) VII LTD. TAIWAN BRANCH
Electronics

NAME
D-SUB STACKED RCPT OVER RCPT, R/A TYPE, THREAD INSERTS

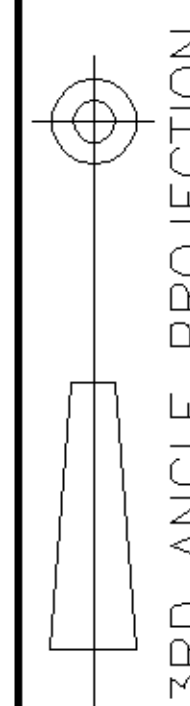
LOC DW A₃ SIZE C-440397 DRAWING NO REV D

| | | | | |
|-----|-----------------|---------------|---------|------------|
| D | REVISED | ECR-05-007810 | JL SH | 02SEP 2005 |
| C | ADDED PART NO. | FZ00-0274-02 | AW JC | 12DEC 2002 |
| B | ADDED PART NO. | FZ00-0034-02 | SH JC | 20FEB 2002 |
| LTR | REVISION RECORD | ECN | DWN CHK | DATE |

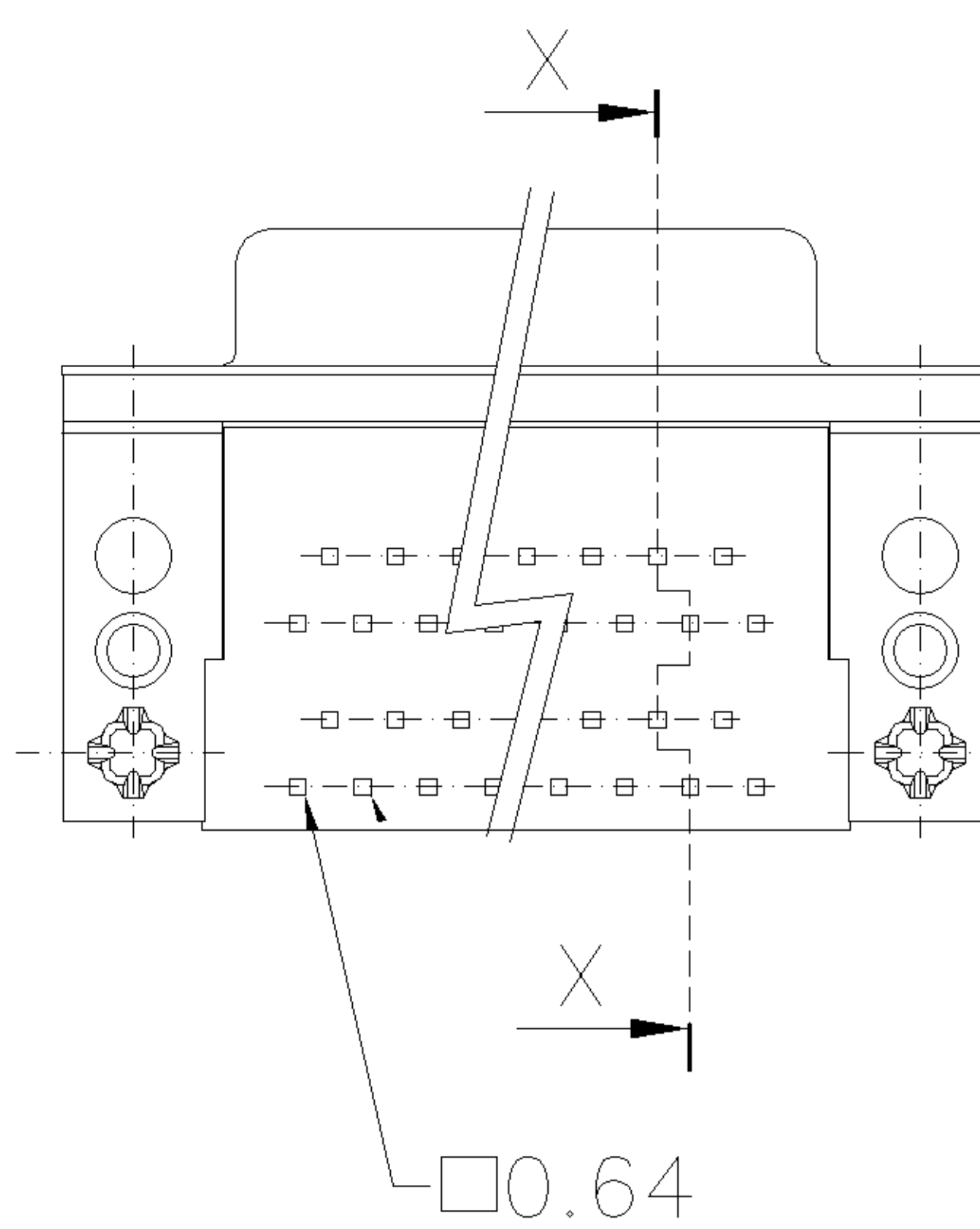
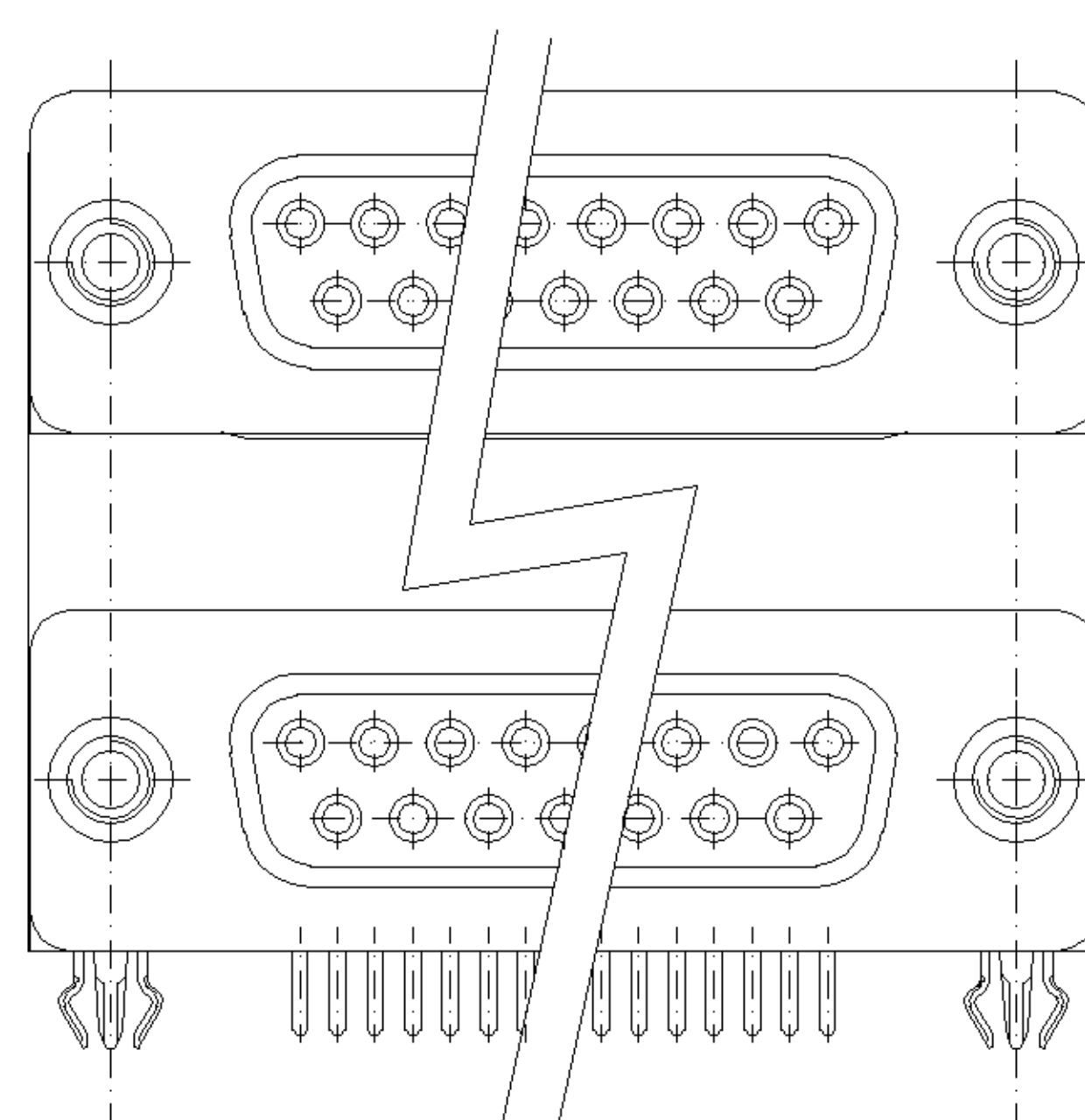
SUPERSEDED
NOT the LATEST
1 OF 3
REVISION

CUSTOMER DRAWING

NUMBER
C-440397

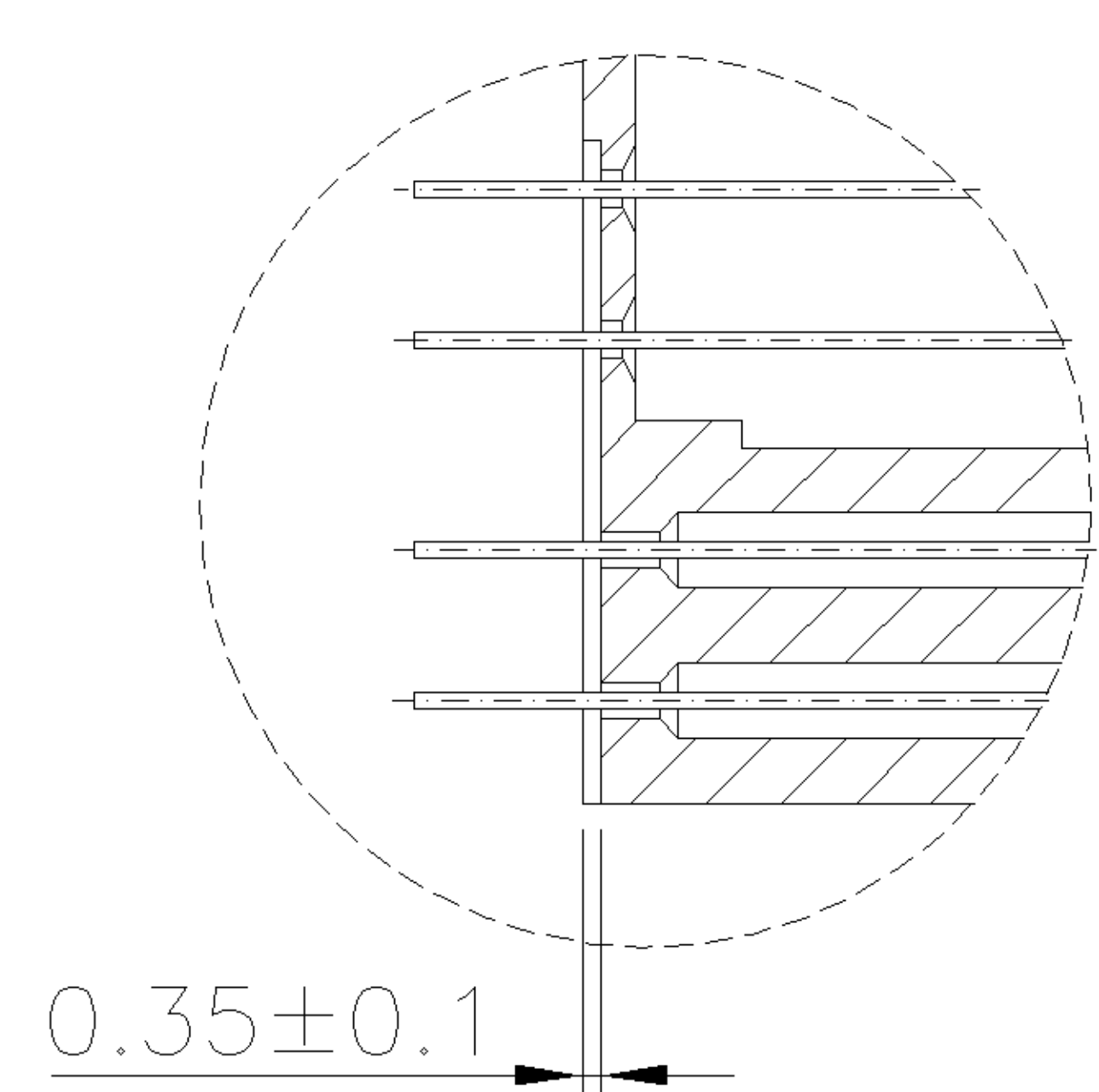
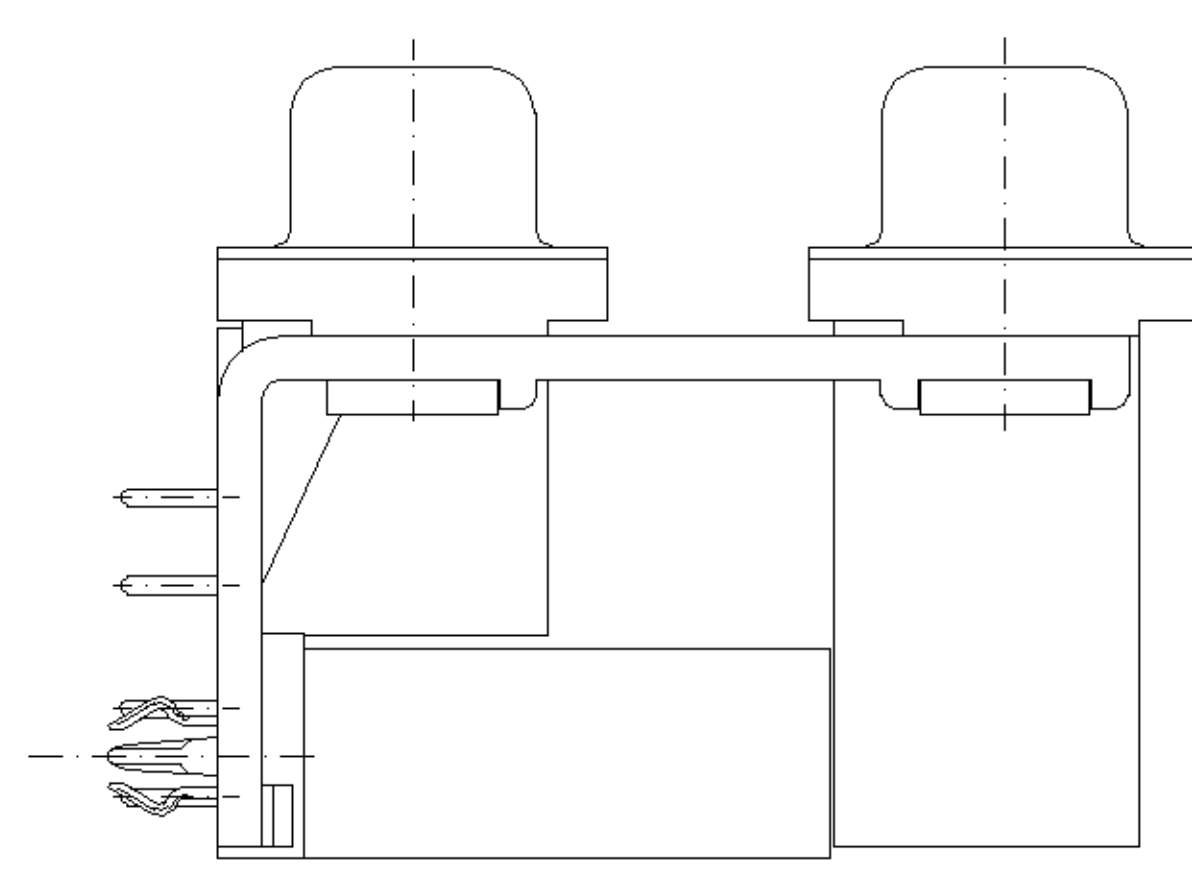


METRIC



| | | | | | | |
|------------|-------|-----------------|-------|-------|-------|-------|
| 7-440397-X | 37-37 | #4-40 UNC | 69.34 | 63.50 | 54.80 | 49.86 |
| 6-440397-X | 25-25 | #4-40 UNC | 53.10 | 47.04 | 38.30 | 33.24 |
| 5-440397-X | 15-15 | #4-40 UNC | 39.30 | 33.30 | 24.60 | 19.39 |
| 4-440397-X | 9-9 | #4-40 UNC | 30.95 | 24.99 | 16.20 | 11.08 |
| PART NO. | PINS | THREADED INSERT | A | B | C | D |

| | | | |
|------------|--------------|-------------------|---------------------------|
| X-440397-6 | 30 u" | PC99/ACTUAL COLOR | 37-37 NOT AVAILABLE |
| X-440397-5 | 10 u" | PC99/ACTUAL COLOR | |
| X-440397-4 | GOLD FLASH | PC99/ACTUAL COLOR | |
| X-440397-3 | 30 u" | BLACK | |
| X-440397-2 | 10 u" | BLACK | |
| X-440397-1 | GOLD FLASH | BLACK | |
| PART NO. | GOLD PLATING | HSG COLOR | |



SEC. X-X

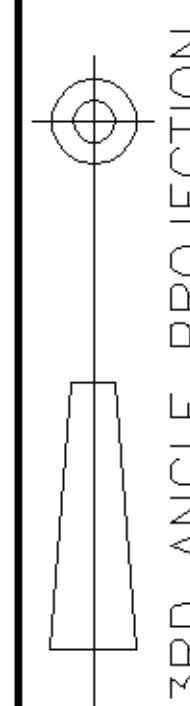
THIS INFORMATION IS CONFIDENTIAL AND IS DISCLOSED TO YOU ON CONDITION THAT NO FURTHER DISCLOSURE IS MADE BY YOU TO OTHER THAN AMP PERSONNEL WITHOUT WRITTEN AUTHORIZATION FROM AMP (TAIWAN) LTD. DIMENSIONS IN MILLIMETERS. DO NOT SCALE PRINT.

PRINT DIST
DW

| | | | | |
|-------------|-----------------|-----|-----|------|
| SEE SHEET 1 | ECN | DWN | CHK | DATE |
| LTR | REVISION RECORD | | | |

| | | | |
|--|--|--------------------------------|--|
| TOLERANCES UNLESS OTHERWISE SPECIFIED: 0 PLC ± 1 PLC ±0.12 2 PLC ±0.06 3 PLC ± ANGLES ±1' | | DWN J. LEE 02-SEP-2005 | TYCO HOLDINGS (BERMUDA) VII LTD. TAIWAN BRANCH |
| MATERIAL SEE SHEET 1 | | CHK S. HOU 02-SEP-2005 | |
| FINISH SEE SHEET 1 | | APVD W.J. KE 02-SEP-2005 | NAME D-SUB STACKED RCPT OVER RCPT, R/A TYPE, THREAD INSERTS |
| | | APPLICATION SPEC | LOC DW A ₃ SIZE C-440397 DRAWING NO REV D |
| | | WEIGHT | SCALE -- SHEET 2 OF 3 |

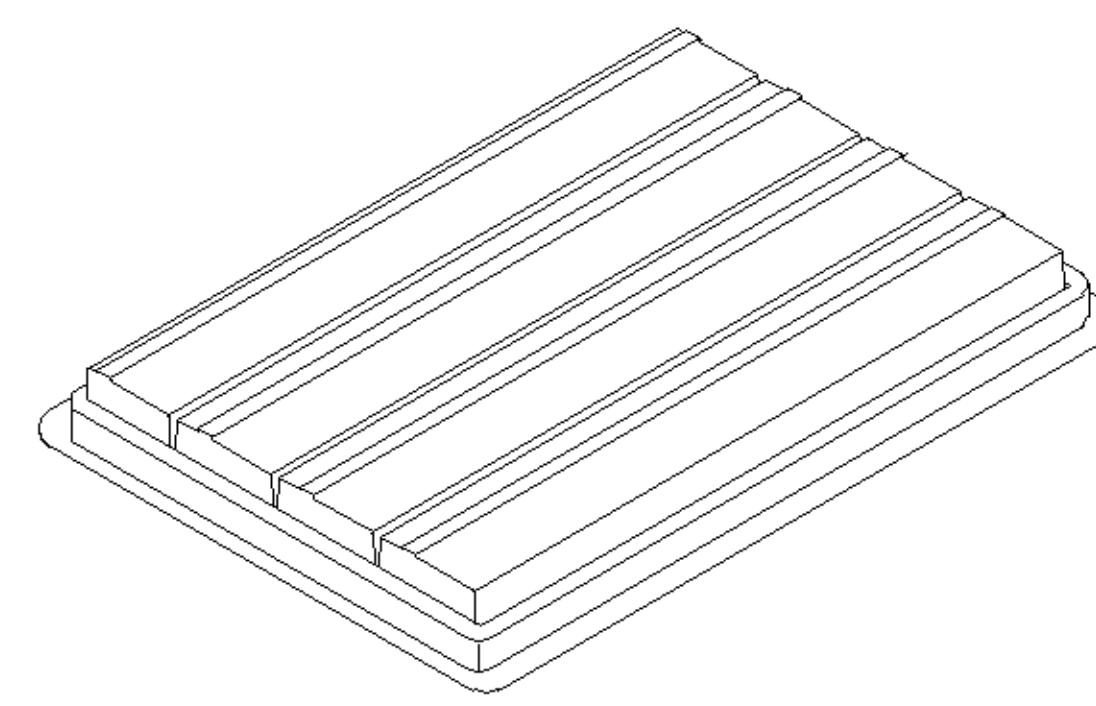
NUMBER
C-440397



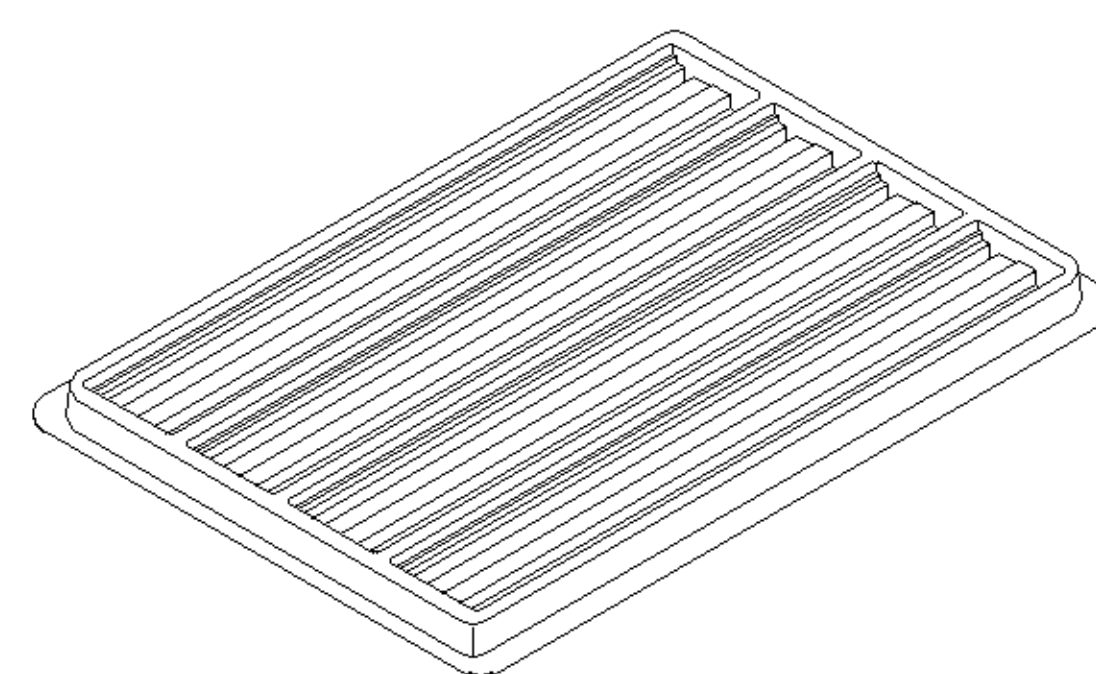
METRIC

THIS INFORMATION IS CONFIDENTIAL AND IS DISCLOSED TO YOU ON CONDITION THAT NO FURTHER DISCLOSURE IS MADE BY YOU TO OTHER THAN AMP PERSONNEL WITHOUT WRITTEN AUTHORIZATION FROM AMP (TAIWAN) LTD. DIMENSIONS IN MILLIMETERS. DO NOT SCALE PRINT.

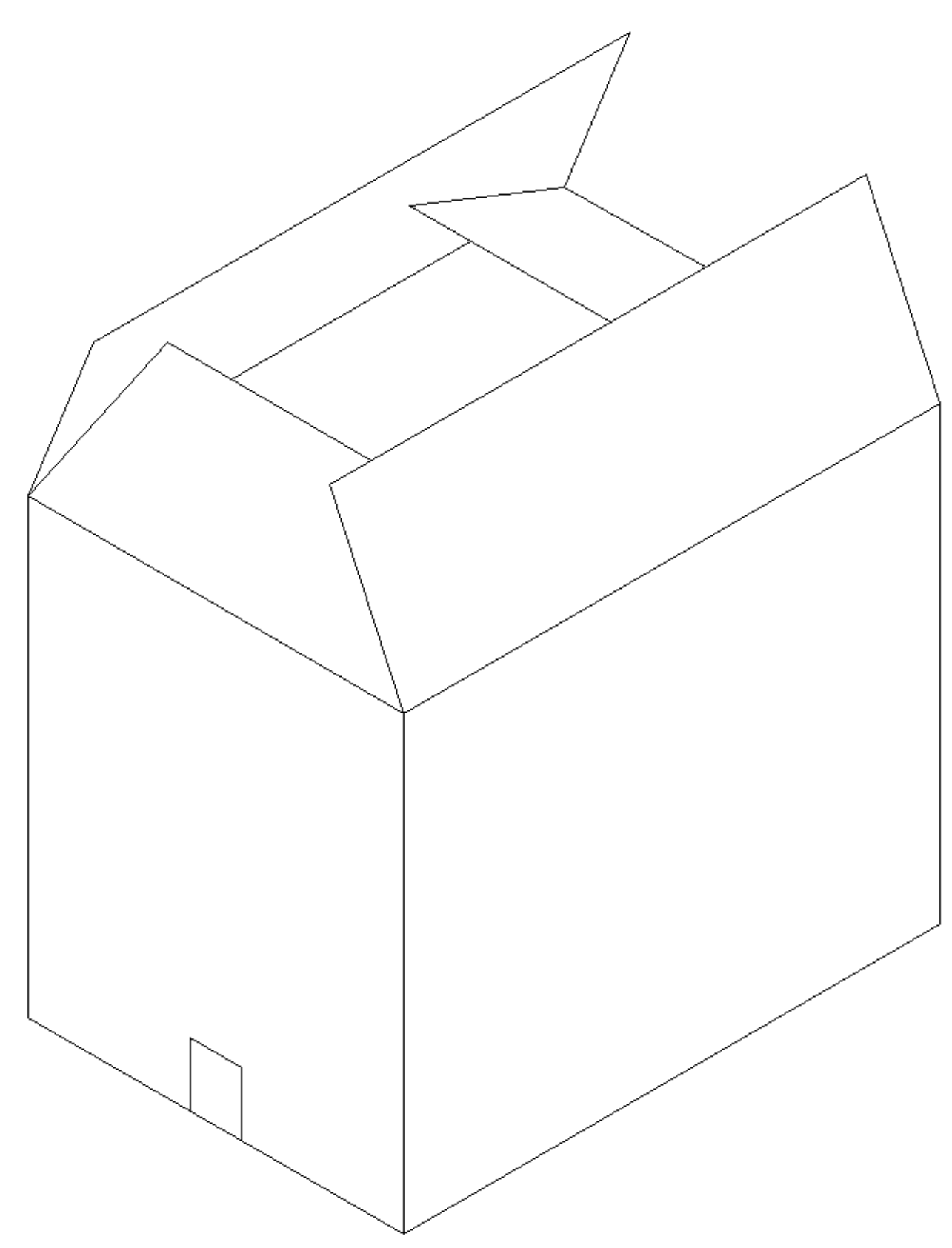
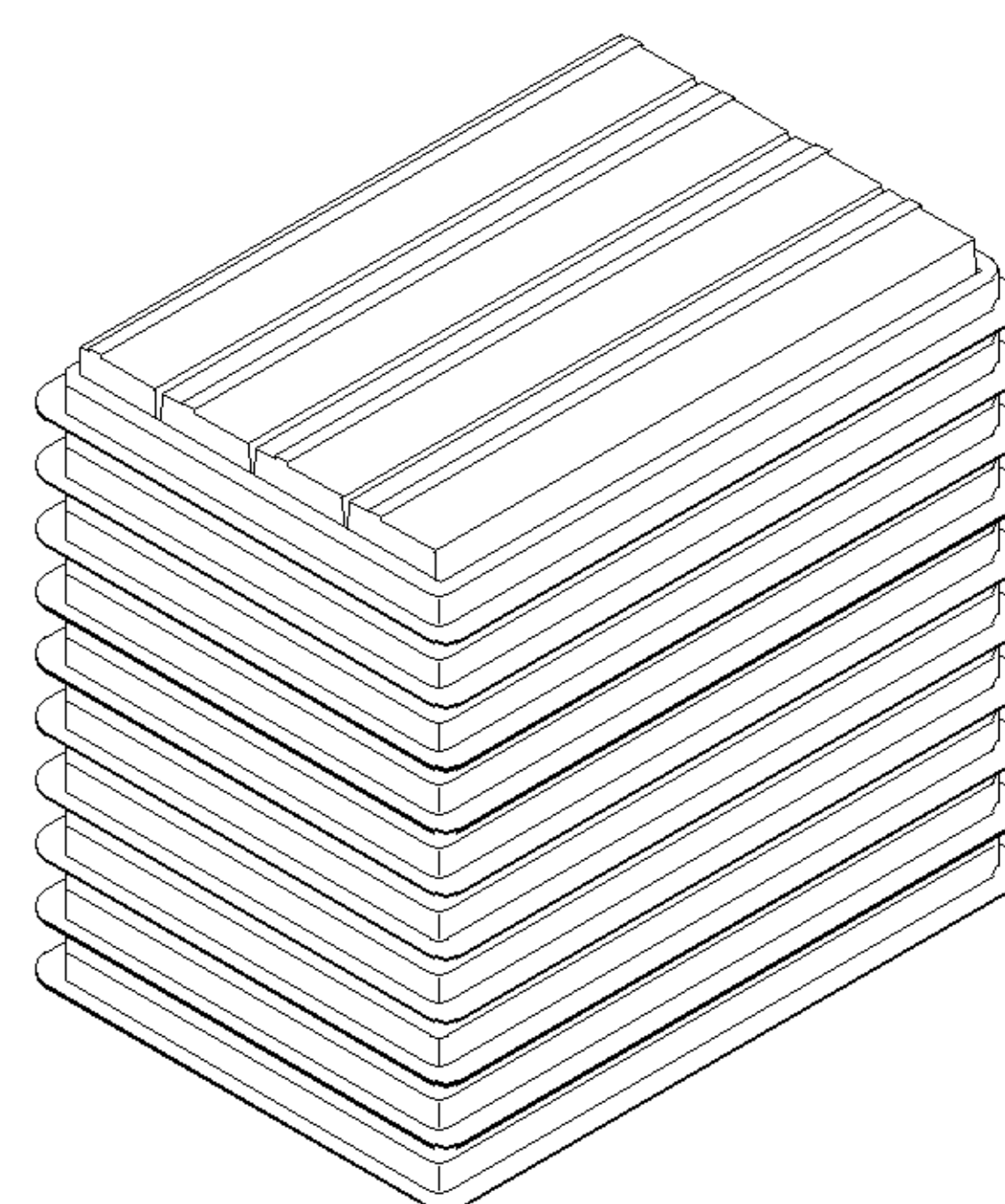
PRINT DIST
DW



TOP COVER



TRAY



SHIPPING BOX

NOTE :

- DIMENSION :
TRAY : L=310, W=215, H=30
SHIPPING BOX : L=335, W=230, H=280
- QUANTITY:

| | | | | |
|-------------|-----|-------|-------|-------|
| PIN NO. | 9-9 | 15-15 | 25-25 | 37-37 |
| PCS/TRAY | 36 | 28 | 20 | 16 |
| TRAY/CARTON | 10 | 10 | 10 | 10 |
| PCS/CARTON | 360 | 280 | 200 | 160 |



TRAY LAYOUT

| | | |
|--|----------------------------------|--|
| TOLERANCES UNLESS OTHERWISE SPECIFIED: 0 PLC ± 1 PLC ± 2 PLC ± 3 PLC ± ANGLES ± | DWN J. LEE 02-SEP-2005 | TYCO HOLDINGS (BERMUDA) VII LTD. TAIWAN BRANCH |
| | CHK S. HOU 02-SEP-2005 | |
| MATERIAL - | APVD W.J. KE 02-SEP-2005 | NAME D-SUB STACKED RCPT OVER RCPT, R/A TYPE, THREAD INSERTS |
| FINISH - | PRODUCT SPEC APPLICATION SPEC | LOC DW A ₃ |
| | WEIGHT | DRAWING NO C-440397 |
| | | REV D |
| | | SCALE -- |
| | | SHEET 3 OF 3 |

| | | | | |
|-------------|-----------------|-----|-----|------|
| SEE SHEET 1 | ECN | DWN | CHK | DATE |
| LTR | REVISION RECORD | | | |