



HPI

TE Internal #: 440133-3

Housing, Receptacle, Wire-to-Wire, 3 Position, .098 in [2.5 mm]
Centerline, Crimp, 1 Row, Natural, Wire & Cable, Power & Signal,
HPI

[View on TE.com >](#)

Connectors > PCB Connectors > Wire-to-Board Connectors > Wire-to-Board Connector Assemblies & Housings >

AMP HPI 2.5 mm Receptacle Housings



Connector Product Type: **Housing**

Connector & Housing Type: **Receptacle**

Connector System: **Wire-to-Wire**

Number of Positions: **3**

Centerline (Pitch): **2.5 mm [.098 in]**

[All AMP HPI 2.5 mm Receptacle Housings \(28\)](#)

Features

Product Type Features

Connector Product Type	Housing
Connector & Housing Type	Receptacle
Connector System	Wire-to-Wire
Sealable	No
Connector & Contact Terminates To	Wire & Cable

Configuration Features

Number of Positions	3
Number of Rows	1

Electrical Characteristics

Dielectric Withstanding Voltage (Max)	1000 VAC
Insulation Resistance	1000 MΩ
Operating Voltage	250 VAC



Body Features

Primary Product Color	Natural
-----------------------	---------

Contact Features

Contact Layout	Inline
Contact Type	Socket
Contact Base Material	Phosphor Bronze
Contact Current Rating (Max)	3 A

Termination Features

Termination Method to Wire & Cable	Crimp
------------------------------------	-------

Mechanical Attachment

Strain Relief	Without
Panel Mount Feature	Without
Mating Retention	Without
Connector Mounting Type	Cable Mount (Free-Hanging)

Housing Features

Housing Entry Configuration	Both Ends Closed
Housing Material	Nylon 66
Centerline (Pitch)	2.5 mm [.098 in]

Dimensions

Connector Length	9.6 mm [.378 in]
Connector Height	4.2 mm [.165 in]
Connector Width	7.15 mm [.281 in]
Accepts Insulation Diameter Range	1 – 1.9 mm [.039 – .075 in]
Wire Size	26 AWG

Usage Conditions

Operating Temperature Range	-25 – 105 °C [-13 – 221 °F]
-----------------------------	-----------------------------

Operation/Application

Circuit Application	Power & Signal
---------------------	----------------

Industry Standards

Glow Wire Rating	Standard Part - Not Glow Wire
UL Flammability Rating	UL 94V-0



Packaging Features

Packaging Quantity	1000
Packaging Method	Bag & Box

Other

Discrete Wire Connector Comment	114-57004
---------------------------------	-----------

Product Compliance

[For compliance documentation, visit the product page on TE.com>](#)

EU RoHS Directive 2011/65/EU	Compliant
EU ELV Directive 2000/53/EC	Compliant
China RoHS 2 Directive MIIT Order No 32, 2016	No Restricted Materials Above Threshold
EU REACH Regulation (EC) No. 1907/2006	Current ECHA Candidate List: JAN 2023 (233) Candidate List Declared Against: JAN 2023 (233) Does not contain REACH SVHC
Halogen Content	Low Halogen - Br, Cl, F, I < 900 ppm per homogenous material. Also BFR/CFR/PVC Free
Solder Process Capability	Not applicable for solder process capability

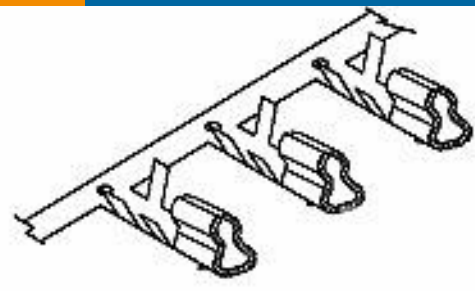
Product Compliance Disclaimer

This information is provided based on reasonable inquiry of our suppliers and represents our current actual knowledge based on the information they provided. This information is subject to change. The part numbers that TE has identified as EU RoHS compliant have a maximum concentration of 0.1% by weight in homogenous materials for lead, hexavalent chromium, mercury, PBB, PBDE, DBP, BBP, DEHP, DIBP, and 0.01% for cadmium, or qualify for an exemption to these limits as defined in the Annexes of Directive 2011/65/EU (RoHS2). Finished electrical and electronic equipment products will be CE marked as required by Directive 2011/65/EU. Components may not be CE marked. Additionally, the part numbers that TE has identified as EU ELV compliant have a maximum concentration of 0.1% by weight in homogenous materials for lead, hexavalent chromium, and mercury, and 0.01% for cadmium, or qualify for an exemption to these limits as defined in the Annexes of Directive 2000/53/EC (ELV). Regarding the REACH Regulation, the information TE provides on SVHC in articles for this part number is based on the latest European Chemicals Agency (ECHA) 'Guidance on requirements for substances in articles' posted at this URL: <https://echa.europa.eu/guidance-documents/guidance-on-reach>

Compatible Parts



TE Part # CAT-H857-H34225
AMP HPI 2.5 mm Headers



TE Part # 440134-1
2.5mm,Crimp Contact

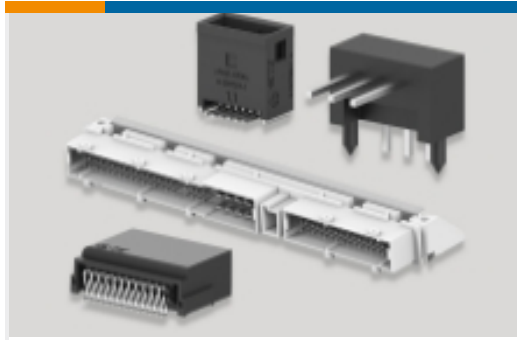


TE Part # 6-440052-3
2.5MM,HDR,3POS,VERTICAL CONN W /O REGRIND



TE Part # 8-440052-3
2.5MM,HDR,3POS,VERTICAL CONN W /O REGRIND

Also in the Series | HPI



PCB Headers & Receptacles(362)



Wire-to-Board Connector Assemblies & Housings(139)



Wire-to-Board Connector Contacts(2)

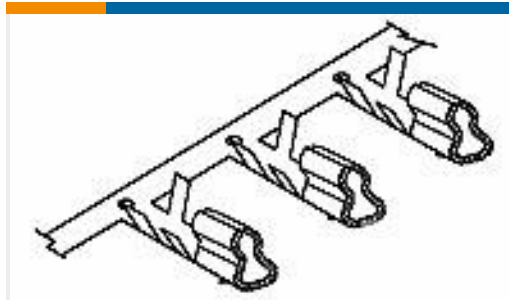
Customers Also Bought



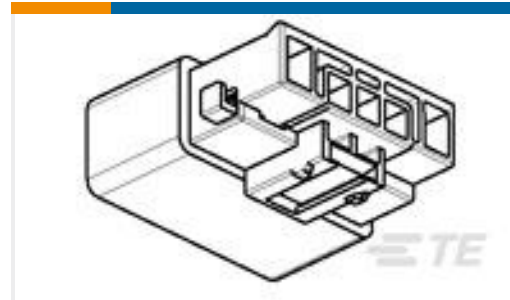
TE Part #440133-5
2.5MM,HSG,5POS



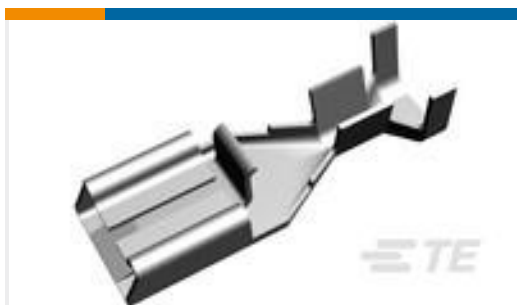
TE Part #770009-1
UMN II PIN PTPBR



TE Part #1470223-1
HPI 2.5mm EMIX Terminal



TE Part #1599314-1
HSG ASSY 5P TAB JPT/SPT HYBRID



TE Part #626580-2
PL 250 REC 1.0-2.5MM2 0.35X26.54 TPPHBZ



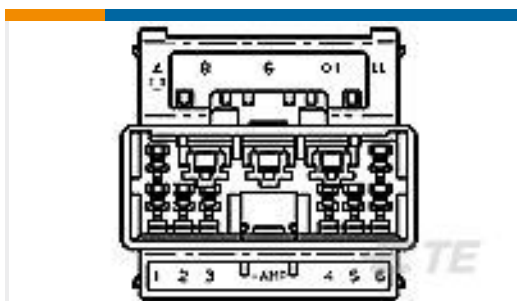
TE Part #880622-1
TERMINAL REC., SPECIAL TAB



TE Part #880629-2
RING TONGUE



TE Part #880634-1
FF 110 REC 0.5-1.0 MM2 0.25X12.3 BR



TE Part #174940-1
070 MLC W-W CAP HSG 11P



TE Part #626277-1
LAMP SOCKET CONTACT



Documents

Product Drawings

2.5MM,HSG,3POS

English

CAD Files

3D PDF

3D

Customer View Model

[ENG_CVM_CVM_440133-3_C.2d_dxf.zip](#)

English

Customer View Model

[ENG_CVM_CVM_440133-3_C.3d_igs.zip](#)

English

Customer View Model

[ENG_CVM_CVM_440133-3_C.3d_stp.zip](#)

English

By downloading the CAD file I accept and agree to the [Terms and Conditions](#) of use.

Datasheets & Catalog Pages

HPI Connectors QRG

English

Product Specifications

AMP 2.5MM PITCH HPI WIRE TO BOARD SYSTEM.

English

Application Specification

English

Product Environmental Compliance

[MD_440133-3_073120172226_dmtec](#)

English

[MD_440133-3_073120172226_dmtec](#)

English

Agency Approvals

UL Report

English