

**PLEASE CHECK WWW.MOLEX.COM FOR LATEST PART INFORMATION**

**Part Number:** [43860-0011](#)  
**Status:** **Active**  
**Overview:** [Modular Plugs - Jacks](#)  
**Description:** Modular Jack, Right Angle, Low Profile, Inverted, Shielded, All Panel Grounding Tabs, Lightpipes, 6/6

**Documents:**

<a href="#">3D Model</a>	<a href="#">Application Specification AS-43860-001 (PDF)</a>
<a href="#">Drawing (PDF)</a>	<a href="#">Test Summary TS-43860-001 (PDF)</a>
<a href="#">Product Specification PS-43860-003 (PDF)</a>	<a href="#">RoHS Certificate of Compliance (PDF)</a>

**Agency Certification**

CSA	LR19980
UL	E107635

**General**

Product Family	Modular Jacks/Plugs
Series	<a href="#">43860</a>
Comments	Lightpipes will withstand soldering temperature of 160° C
Component Type	PCB Jack
Magnetic	No
Overview	<a href="#">Modular Plugs - Jacks</a>
Performance Category	3
Power over Ethernet (PoE)	N/A
Product Name	RJ11
UPC	800753929777

**Physical**

Boot Color	N/A
Color - Resin	Black, Clear
Durability (mating cycles max)	500
Flammability	94V-0
Inverted / Top Latch	Yes
Jack Height	13.54mm
Lightpipes/LEDs	Lightpipes
Material - Metal	Brass, Phosphor Bronze
Material - Plating Mating	Gold
Material - Plating Termination	Tin
Material - Resin	High Temperature Thermoplastic, Polycarbonate
Net Weight	4.265/g
Orientation	Right Angle (Side Entry)
PCB Locator	Yes
PCB Retention	Yes
PCB Thickness - Recommended	1.60mm
Packaging Type	Tray
Panel Mount	With Flange
Pitch - Mating Interface	1.02mm
Pitch - Termination Interface	1.02mm
Plating min - Mating	1.270µm
Plating min - Termination	2.540µm
Ports	1
Positions / Loaded Contacts	6/6
Surface Mount Compatible (SMC)	No
Temperature Range - Operating	-40°C to +85°C
Termination Interface: Style	Through Hole

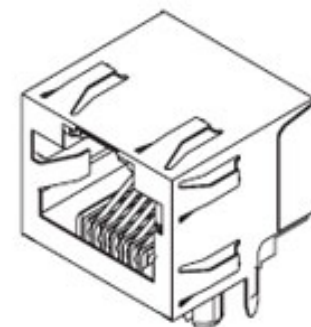


image - Reference only

Series

**EU RoHS**

**ELV and RoHS Compliant**  
**REACH SVHC**  
**Contains SVHC: No**  
**Low-Halogen Status**  
**Not Low-Halogen**

**China RoHS**



**Need more information on product environmental compliance?**

Email [productcompliance@molex.com](mailto:productcompliance@molex.com)  
 For a multiple part number RoHS Certificate of Compliance, [click here](#)

Please visit the [Contact Us](#) section for any non-product compliance questions.

**Search Parts in this Series**

43860Series

**Mates With**

FCC 68 Plugs

Waterproof / Dustproof	No
Wire/Cable Type	N/A
<b>Electrical</b>	
Current - Maximum per Contact	1.5A
Grounding to PCB	Yes
Grounding to Panel	Yes
Shielded	Yes
Voltage - Maximum	150V AC (RMS)

#### **Solder Process Data**

Lead-free Process Capability	Wave Capable (TH only)
------------------------------	------------------------

#### **Material Info**

#### **Reference - Drawing Numbers**

Application Specification	AS-43860-001
Product Specification	PS-43860-003, RPS-43860-004, RPS-43860-007, RPS-43860-008, RPS-43860-013
Sales Drawing	SD-43860-001
Test Summary	TS-43860-001

This document was generated on 12/07/2012

**PLEASE CHECK [WWW.MOLEX.COM](http://WWW.MOLEX.COM) FOR LATEST PART INFORMATION**