

PLEASE CHECK WWW.MOLEX.COM FOR LATEST PART INFORMATION

Part Number: [43335-2002](#)
Status: **Active**
Overview: Flat Blade
Description: 7.50mm Pitch, Flat Blade Appliance Receptacle Housing, Single Row, 2 Circuits, Nylon PA66, UL 94V-0, Black with TPA, Glow Wire Compatible

Documents:

[3D Model](#) [Packaging Specification PK-43335-001 \(PDF\)](#)
[Drawing \(PDF\)](#) [RoHS Certificate of Compliance \(PDF\)](#)
[Product Specification PSX-43335-9999 \(PDF\)](#)

Agency Certification

CSA LR19980
 UL E29179

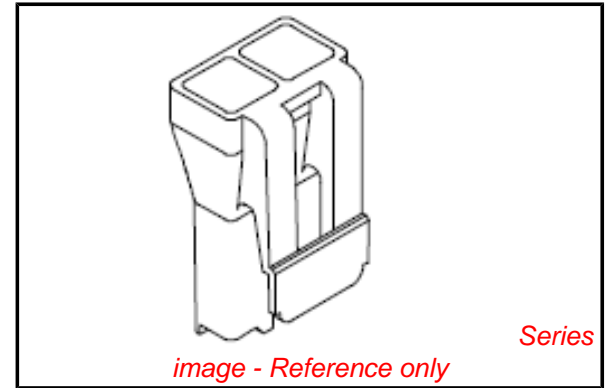
General

Product Family Crimp Housings
 Series [43335](#)
 Application Power, Wire-to-Wire
 Comments This Molex product is manufactured from material that has the following ratings, tested by independent agencies :. a) A Glow Wire Ignition Temperature (GWIT) of at least 775 deg C per IEC 60695-2-13.. b) A Glow Wire Flammability Index (GWFI) above 850 deg C per IEC 60695-2-12.and hence complies with the requirements set out in the International Standard IEC 60335-1 5th edition - household and similar electrical appliances - safety; section 30 Resistance to heat and fire.<P><P>The customers using this product must determine its suitability for use in their particular application through testing or other acceptable means as described in end-product glow-wire flammability test standard IEC 60695-2-11 and any applicable product end-use standard(s).<P>If it is determined during the customer's evaluation of suitability, that higher performance is required, please contact Molex for possible product options.

Overview [Flat Blade](#)
 Product Name Flat Blade
 UPC 822348270804

Physical

Breakaway No
 Circuits (maximum) 2
 Color - Resin Black
 Flammability 94V-0
 Gender Receptacle
 Glow-Wire Compliant Yes
 Keying to Mating Part None
 Lock to Mating Part Yes
 Material - Resin Nylon
 Net Weight 1.724/g
 Number of Rows 1
 Packaging Type Bag
 Panel Mount No
 Pitch - Mating Interface 7.50mm



EU RoHS

ELV and RoHS Compliant
REACH SVHC Contains SVHC: No
Low-Halogen Status Low-Halogen

China RoHS



Need more information on product environmental compliance?

Email productcompliance@molex.com
 For a multiple part number RoHS Certificate of Compliance, [click here](#)

Please visit the [Contact Us](#) section for any non-product compliance questions.

Search Parts in this Series

[43335Series](#)

Mates With

[43180 Flat Blade Plug Housing](#)

Use With

[43375 Female Terminals](#)

Pitch - Termination Interface	7.50mm
Polarized to Mating Part	Yes
Ports	1
Stackable	No
Temperature Range - Operating	-40°C to +75°C

Material Info

Reference - Drawing Numbers

Packaging Specification	PK-43335-001
Product Specification	PSX-43335-9999
Sales Drawing	SD-43335-*002

This document was generated on 01/11/2013

PLEASE CHECK WWW.MOLEX.COM FOR LATEST PART INFORMATION