

**PLEASE CHECK WWW.MOLEX.COM FOR LATEST PART INFORMATION**

**Part Number:** [43335-1003](#)  
**Status:** **Active**  
**Overview:** Flat Blade  
**Description:** 7.50mm Pitch, Flat Blade Appliance Receptacle Housing, Single Row, 3 Circuits, Nylon PA66, UL 94V-2, Natural with TPA

**Documents:**

[3D Model](#) [Packaging Specification PK-43335-001 \(PDF\)](#)  
[Drawing \(PDF\)](#) [RoHS Certificate of Compliance \(PDF\)](#)  
[Product Specification PSX-43335-9999 \(PDF\)](#)

**Agency Certification**

CSA LR19980  
 UL E29179

**General**

Product Family Crimp Housings  
 Series [43335](#)  
 Application Power, Wire-to-Wire  
 Comments Glow Wire Equivalent Part Number [433352003](#)  
 Overview [Flat Blade](#)  
 Product Name Flat Blade  
 UPC 800753851115

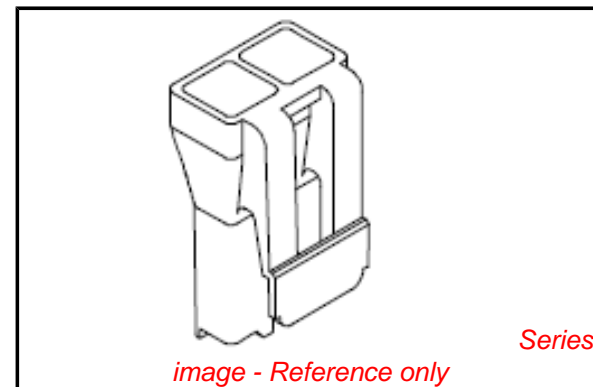
**Physical**

Breakaway No  
 Circuits (maximum) 3  
 Color - Resin Natural  
 Flammability 94V-2  
 Gender Receptacle  
 Glow-Wire Compliant No  
 Keying to Mating Part None  
 Lock to Mating Part Yes  
 Material - Resin Nylon  
 Net Weight 2.343/g  
 Number of Rows 1  
 Packaging Type Bag  
 Panel Mount No  
 Pitch - Mating Interface 7.50mm  
 Pitch - Termination Interface 7.50mm  
 Polarized to Mating Part Yes  
 Ports 1  
 Stackable No  
 Temperature Range - Operating -40°C to +75°C

**Material Info**

**Reference - Drawing Numbers**

Package Specification PK-43335-001  
 Product Specification PSX-43335-9999  
 Sales Drawing SD-43335-\*003



**EU RoHS**

**ELV and RoHS Compliant**  
**REACH SVHC Contains SVHC: No**  
**Low-Halogen Status Low-Halogen**

**China RoHS**



**Need more information on product environmental compliance?**

Email [productcompliance@molex.com](mailto:productcompliance@molex.com)  
 For a multiple part number RoHS Certificate of Compliance, [click here](#)

Please visit the [Contact Us](#) section for any non-product compliance questions.

**Search Parts in this Series**

[43335Series](#)

**Mates With**

[43180 Flat Blade Plug Housing](#)

**Use With**

[43375 Female Terminals](#)