

|                     |   |
|---------------------|---|
| Product description | Size A female connector (panel mount), Contacts: 3+PE, 6.0 - 8.0 mm, unshielded, screw clamp, IP40 without seal, VDE, ESTI+ |
| Area                | Size A series 210   |
| Order number        | 43 1772 006 04  |

| Illustration | Scale drawing | Contact arrangement (Plug-in side) |
|--------------|---------------|------------------------------------|
|              |               |                                    |

You can find the component part drawing on the next page.

## Technical data

### General features

|                           |  |
|---------------------------|--|
| Order number              | 43 1772 006 04                                       |
| Connector design          | female connector (panel mount)                       |
| Version                   | connector female straight                            |
| Connector locking system  | central bolt   |
| Termination               | screw clamp  |
| Degree of protection      | IP40 without seal<br>IP65 with seal, see accessories |
| Cross-sectional area      | min. 0.34 - max. 1.50 mm <sup>2</sup>                |
| Cable outlet              | 6.0 - 8.0 mm   |
| Temperature range from/to | -30 °C / 120 °C                                      |
| Mechanical operation      | > 50 Mating cycles                                   |
| Weight (g)                | 22.533   |
| Customs tariff number     | 85369010   |

### Electrical parameters

|                           |            |
|---------------------------|------------|
| Rated voltage             | 250 V      |
| Rated impulse voltage     | 4000 V     |
| Rated current (40 °C)     | 10 A       |
| Pollution degree          | 3          |
| Overvoltage category      | III        |
| Insulating material group | III        |
| EMC compliance            | unshielded |

### Material

|                       |                      |
|-----------------------|----------------------|
| Housing material      | PA                   |
| Contact body material | PA (UL94 HB)         |
| Contact material      | CuSn (bronze)        |
| Contact plating       | Ni (nickel)          |
| REACH SVHC            | CAS 7439-92-1 (Lead) |

### Classifications

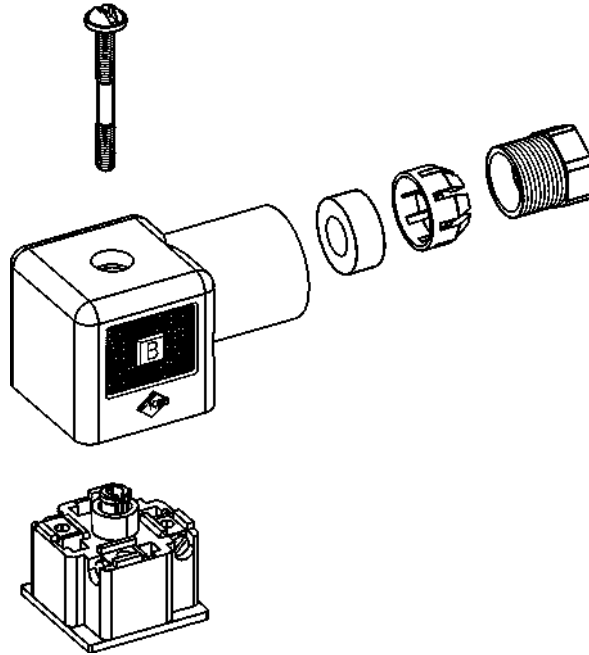
|             |             |
|-------------|-------------|
| eCl@ss 11.1 | 27-06-03-11 |
| ETIM 7.0    | EC001855    |

### Declarations of conformity

|                       |  |
|-----------------------|--|
| Low Voltage Directive | 2014/35/EU (EN 60204-1:2018;EN 60529:1991) |
|-----------------------|--|

|                     |   |
|---------------------|---|
| Product description | Size A female connector (panel mount), Contacts: 3+PE, 6.0 - 8.0 mm, unshielded, screw clamp, IP40 without seal, VDE, ESTI+ |
| Area                | Size A series 210   |
| Order number        | 43 1772 006 04  |

## Component part drawing



|                     |   |
|---------------------|---|
| Product description | Size A female connector (panel mount), Contacts: 3+PE, 6.0 - 8.0 mm, unshielded, screw clamp, IP40 without seal, VDE, ESTI+ |
| Area                | Size A series 210   |
| Order number        | 43 1772 006 04  |

## Security notices

The connector must not be plugged or unplugged under load. Non-observance and improper use can result in personal injury.

The connectors have been developed for applications in plant engineering, control and electrical equipment construction. The user is responsible for checking whether the connectors can also be used in other areas of application.

Connectors which are used in circuits with voltages dangerous to the touch may only be installed and used by, or under the supervision of, persons with electrical engineering training, taking into account the applicable regulations and standards.

Plug connectors with enclosure protection IP 67 and IP 68 are not suitable for use under water. When used outdoors, the plug connectors must be protected separately against corrosion. For further information on the IP protection classes, please refer to the "Technical Information" download centre.