

# Product data sheet

## Automation technology - solenoid valve connectors



Product description **Size A Female power connector, Contacts: 2+PE, 6.0-8.0 mm, unshielded, screw clamp, IP40 without seal, Circuit E6**

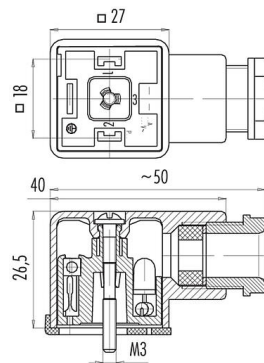
Area **Size A series 210**

Part no. **43 1714 135 03**

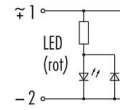
### Illustration



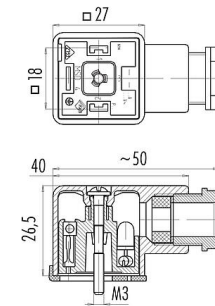
### Pin assignment plans



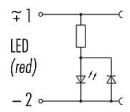
E6  
P33  
P30



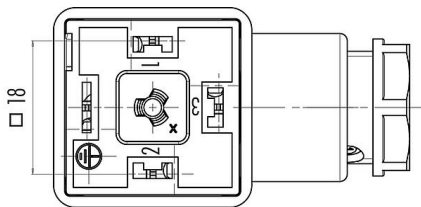
### Scale drawing



E6  
P33  
P30



### Contact arrangement (Plug-in side)



You can find the component part drawing on the next page.

### Technical data

#### General features

Part no.	<b>43 1714 135 03</b>
Connector design	Female power connector
Version	Connector socket straight
Connector locking system	Central bolt
Termination	screw clamp
Degree of protection	IP40 without seal IP65 with seal, see accessories
Cross-sectional area	0.34-1.50 mm <sup>2</sup>
Cable outlet	6.0-8.0 mm
Temperature range from/to	-25 °C / 85 °C
Mechanical operation	> 50 Mating cycles
Additional information	Circuit E6
Weight (g)	21.47
Customs tariff number	85369010

# Product data sheet

## Automation technology - solenoid valve connectors



Product description	<b>Size A Female power connector, Contacts: 2+PE, 6.0-8.0 mm, unshielded, screw clamp, IP40 without seal, Circuit E6</b>
Area	<b>Size A series 210</b>
Part no.	<b>43 1714 135 03</b>

### Electrical parameters

Rated voltage	24 V
Rated impulse voltage	800 V
Rated current (40 °C)	10.0 A
Pollution degree	3
Overvoltage category	III
Insulating material group	III
EMC compliance	unshielded
Wiring	E6

### Material

Housing material	PC
Contact body material	PA (UL94 HB)
Contact material	CuSn (bronze)
Contact plating	Ni (nickel)
REACH SVHC	CAS 7439-92-1 (Lead)
SCIP number	9a872a5b-eac3-4423-9107-6f5977712d9f

### Classifications

eCl@ss 11.1	27-06-03-11
ETIM 7.0	EC001855

# Product data sheet

## Automation technology - solenoid valve connectors

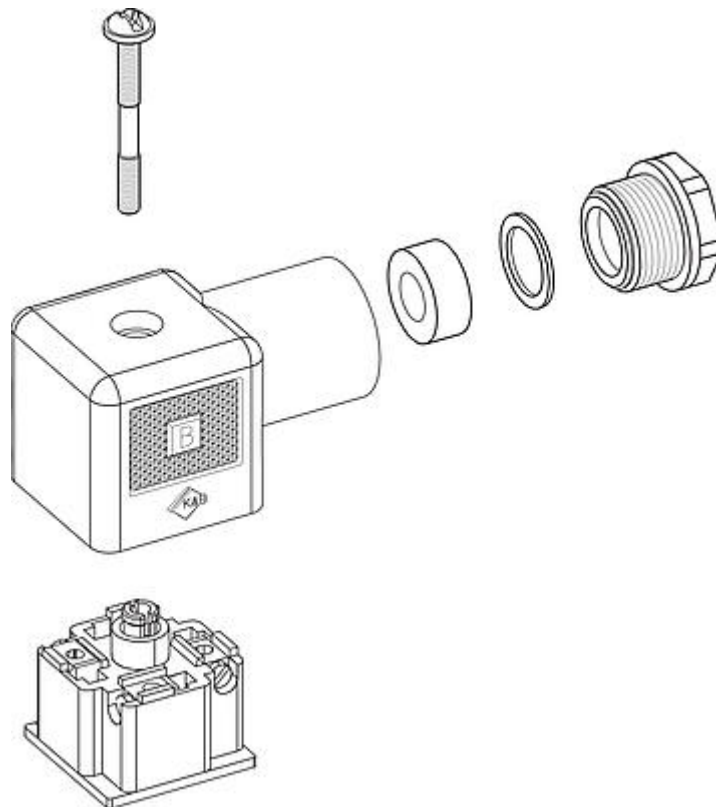


Product description      **Size A Female power connector, Contacts: 2+PE, 6.0-8.0 mm, unshielded, screw clamp, IP40 without seal, Circuit E6**

Area                              **Size A series 210**

Part no.                         **43 1714 135 03**

### Component part drawing



# Product data sheet

## Automation technology - solenoid valve connectors



Product description	<b>Size A Female power connector, Contacts: 2+PE, 6.0-8.0 mm, unshielded, screw clamp, IP40 without seal, Circuit E6</b>
Area	<b>Size A series 210</b>
Part no.	<b>43 1714 135 03</b>

### Security notices

The connectors have been developed for applications in plant engineering, control and electrical equipment construction. The user is responsible for checking whether the connectors can also be used in other areas of application.

Plug connectors with enclosure protection IP67 and IP68 are not suitable for use under water. When used outdoors, the plug connectors must be protected separately against corrosion. For further information on the IP protection classes, please refer to the "Technical Information" download centre.

The user must take appropriate safety precautions to ensure that the connector cannot be accidentally disconnected. In addition, the user must ensure that the cable is suitably secured.