

Product data sheet

Automation technology - solenoid valve connectors



Product description **Size A Female power connector, Contacts: 3+PE, 6.0-8.0 mm, unshielded, screw clamp, IP40 without seal, VDE, ESTI+**

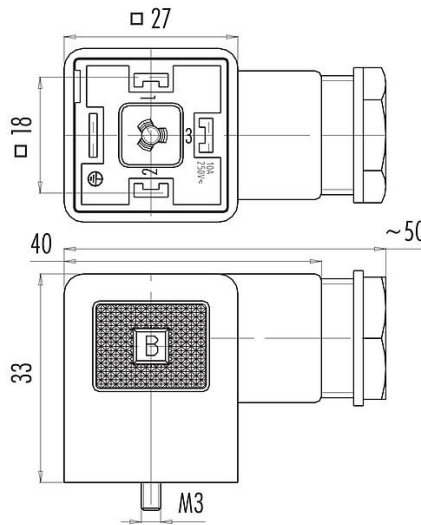
Area **Size A series 210**

Part no. **43 1706 000 04**

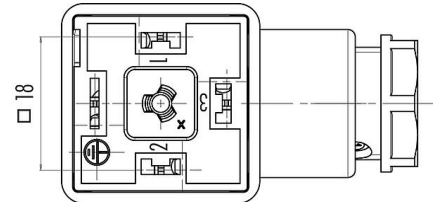
Illustration



Scale drawing



Contact arrangement (Plug-in side)



You can find the component part drawing on the next page.

Technical data

General features

Part no.	43 1706 000 04
Connector design	Female power connector
Version	Connector socket straight
Connector locking system	Central bolt
Termination	screw clamp
Degree of protection	IP40 without seal IP65 with seal, see accessories
Cross-sectional area	0.34-1.50 mm ²
Cable outlet	6.0-8.0 mm
Temperature range from/to	-30 °C / 120 °C
Mechanical operation	> 50 Mating cycles
Weight (g)	25.90
Customs tariff number	85369010

Electrical parameters

Rated voltage	250 V
Rated impulse voltage	4000 V
Rated current (40 °C)	10.0 A
Pollution degree	3
Overvoltage category	III



Product data sheet

Automation technology - solenoid valve connectors



Product description	Size A Female power connector, Contacts: 3+PE, 6.0-8.0 mm, unshielded, screw clamp, IP40 without seal, VDE, ESTI+
Area	Size A series 210
Part no.	43 1706 000 04

Insulating material group	III
EMC compliance	unshielded

Material

Housing material	PA
Contact body material	PA (UL94 HB)
Contact material	CuSn (bronze)
Contact plating	Ni (nickel)
REACH SVHC	CAS 7439-92-1 (Lead)
SCIP number	48b8edd2-f6e5-4efa-b050-c9e9bd55e180

Authorization/approvals

Approvals	VDE, ESTI+
-----------	------------

Classifications

eCl@ss 11.1	27-06-03-11
ETIM 7.0	EC001855

Declarations of conformity

Low Voltage Directive	2014/35/EU (EN 60204-1:2018;EN 60529:1991)
-----------------------	--



Product data sheet

Automation technology - solenoid valve connectors

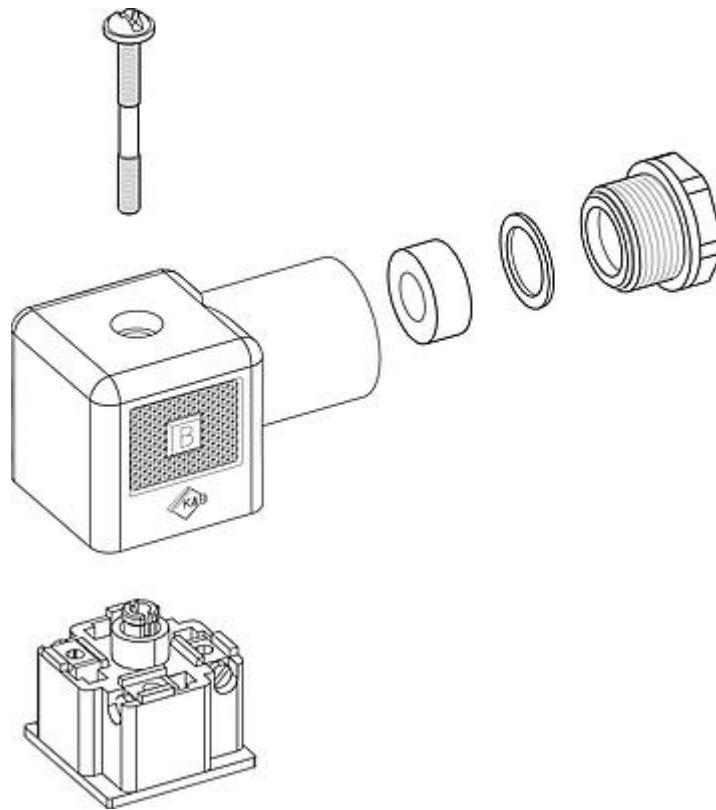


Product description **Size A Female power connector, Contacts: 3+PE, 6.0-8.0 mm, unshielded, screw clamp, IP40 without seal, VDE, ESTI+**

Area **Size A series 210**

Part no. **43 1706 000 04**

Component part drawing



Product description	Size A Female power connector, Contacts: 3+PE, 6.0-8.0 mm, unshielded, screw clamp, IP40 without seal, VDE, ESTI+
Area	Size A series 210
Part no.	43 1706 000 04

Security notices

The connector must not be plugged or unplugged under load. Non-observance and improper use can result in personal injury.

The connectors have been developed for applications in plant engineering, control and electrical equipment construction. The user is responsible for checking whether the connectors can also be used in other areas of application.

Connectors which are used in circuits with voltages dangerous to the touch may only be installed and used by, or under the supervision of, persons with electrical engineering training, taking into account the applicable regulations and standards.

Plug connectors with enclosure protection IP67 and IP68 are not suitable for use under water. When used outdoors, the plug connectors must be protected separately against corrosion. For further information on the IP protection classes, please refer to the "Technical Information" download centre.

The user must take appropriate safety precautions to ensure that the connector cannot be accidentally disconnected. In addition, the user must ensure that the cable is suitably secured.