

Technical specification :

Rated voltage: IEC 61076-2-101	60 V
Current rating: IEC 61076-2-101	4 A at 40°C
Insulation resistance: IEC 60512	≥100 MΩ
Pollution degree: IEC 60664-1	3/2
Degree of protection: IEC 60529	IP 67, in mated condition
Temperature range: IEC 60664-1	-30°C ... +80°C
Mating cycles: IEC 60512-9a	≥100

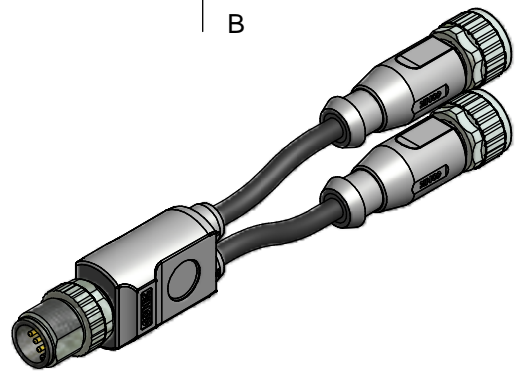
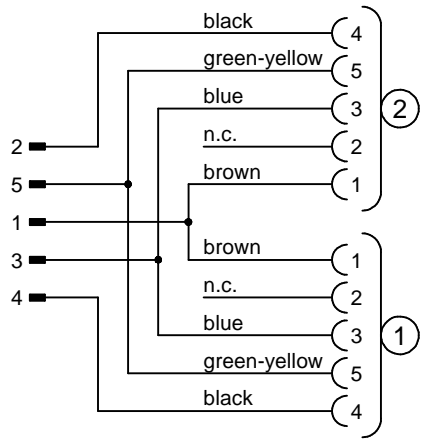
Materials:

Contact:	CuZn
Contact plating:	Nickel, gold plated
Contact carrier:	TPU GF, UL 94
Sealing:	FPM
Coupling nut / screw:	GD-Zn, nickel plated
Moulding body:	TPU, UL 94, grey

Installation specification:

Recommended torque:	0,6 Nm
Conec installation tool:	Torque wrench: 36-000200 Insert across flats 13: 36-000220

Contact assignment:



D see data sheet cable

Part no:	Description:	Length L:	Cable:
43-12603	SAL - 12 - DS5 - 2RK5.2 - 0,3 / 0,3 / K1	0,3m	TPE, UL 20549, black, 4x0,34mm ² Cable: 781-K13500
43-12604	SAL - 12 - DS5 - 2RK5.2 - 0,6 / 0,6 / K1	0,6m	
43-12605	SAL - 12 - DS5 - 2RK5.2 - 1,5 / 1,5 / K1	1,5m	
43-12606	SAL - 12 - DS5 - 2RK5.2 - 3 / 3 / K1	3,0m	
43-xxxxx	SAL - 12 - DS5 - 2RK5.2 - ... / ... / K1	x	

DO NOT ALTER CAD DRAWING BY HAND Directive 2002/95/EC RoHS compliant	Index: c 17.08.11 VF Ä3767 Coupling nut/ screw modified, spanner flats added, data sheet modified	dim. in mm	title: Duo-distributor, male connector M12x1 axial - 2x female connector M12x1 axial		
	tolerance of cable: L ≤ 4m: L + 40mm L > 4m: L + 1%			date	name
	general tolerance: 0 ± 0,50mm 0,0 ± 0,25mm 0,00 ± 0,10mm	drawn		22.10.08	Mankopf
	THIS DRAWING MAY NOT BE COPIED OR REPRODUCED IN ANY WAY, AND MAY NOT BE PASSED ON TO A THIRD PARTY WITHOUT WRITTEN PERMISSION. OWNERSHIP AND COPYRIGHT OF CONEC GmbH	appd.		22.10.08	Fromm
CONEC ®			dwg no: 43K1A790		
			part no: see table		



Mouser Electronics

Authorized Distributor

Click to View Pricing, Inventory, Delivery & Lifecycle Information:

[Amphenol:](#)

[43-12605](#) [43-12603](#) [43-12604](#) [43-12606](#)