

**Technical specification:**

Rated voltage: IEC 61076-2-101	30 V
Current rating: IEC 61076-2-101	2 A at 40°C
Insulation resistance: IEC 60512	>=100 MΩ
Pollution degree: IEC 60664-1	3/2
Degree of protection: IEC 60529	IP 67, in mated condition
Temperature range: IEC 60664-1	-30°C ... +80°C
Mating cycles: IEC 60512-9a	>=100

**Materials:**

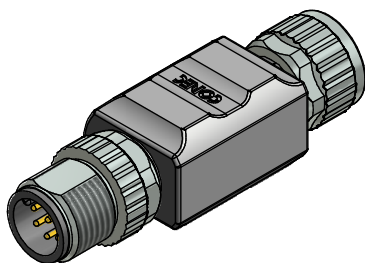
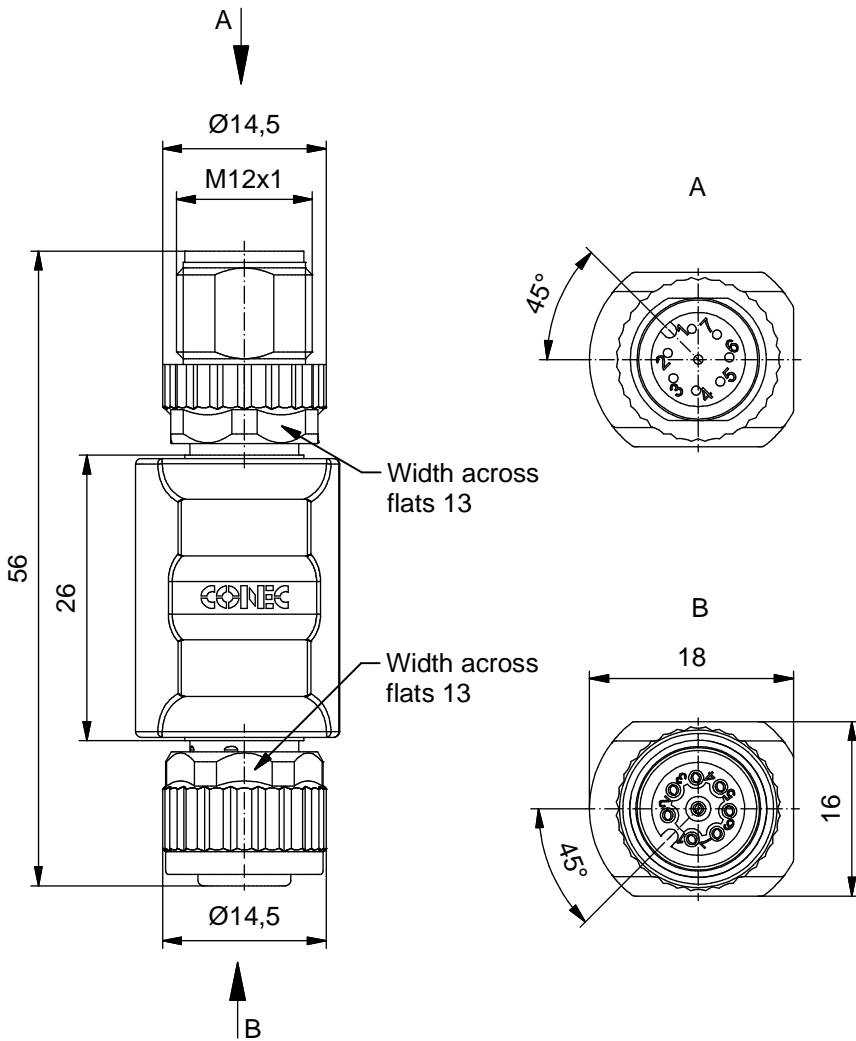
Contact:	CuZn
Contact plating:	Nickel, gold plated
Contact carrier:	TPU GF, UL 94
Sealing:	FPM
Coupling nut/ screw:	GD-Zn, nickel plated
Moulding body:	TPU, UL 94, grey

**Installation specification:**

Recommended torque:	0,6 Nm
Conec installation tool:	Torque wrench: 36-000200 Insert across flats 13: 36-000220

**Contact assignment:**

1	—	1
2	—	2
3	—	3
4	—	4
5	—	5
6	—	6
7	—	7
8	—	8



Part no:	Description:
43-05113	SAL - 12 - TS8 - TK8

DO NOT ALTER CAD DRAWING BY HAND Directive 2002/95/EC RoHS compliant	Index: a 24.03.11 VF Ä3767 Coupling nut/ screw modified, spanner flats added, data sheet modified	dim. in mm	title: <b>Adapter, male connector M12x1 - female connector M12x1</b>	
				date      name
	tolerance of cable:	drawn 06.10.09      Fromm		dwg no: <b>43K1A957</b>
	general tolerance:    0      ± 0,50mm 0,0    ± 0,25mm 0,00   ± 0,10mm	appd. 06.10.09      Mankopf		
THIS DRAWING MAY NOT BE COPIED OR REPRODUCED IN ANY WAY, AND MAY NOT BE PASSED ON TO A THIRD PARTY WITHOUT WRITTEN PERMISSION. OWNERSHIP AND COPYRIGHT OF CONEC GmbH				

# Mouser Electronics

Authorized Distributor

Click to View Pricing, Inventory, Delivery & Lifecycle Information:

[Amphenol:](#)

[43-05113](#)