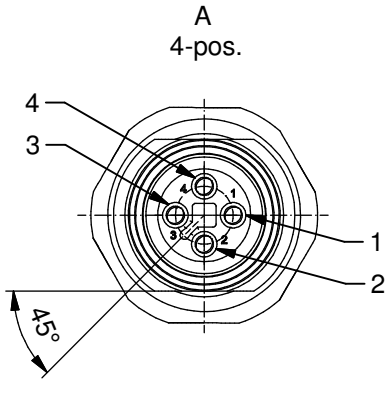


Contact assignment:

- 1) brown
- 3) blue
- 4) black



Contact assignment:

- 1) brown
- 2) white
- 3) blue
- 4) black

Technical specification:

Rated voltage: 63 V AC/DC
IEC 61076-2-101

Current rating: 12 A at 40°C
IEC 61076-2-101

Insulation resistance: >=100 MΩ
IEC 60512

Pollution degree: 3/2
IEC 60664-1

Degree of protection: IP 67, in mated condition
IEC 60529

Temperature range: -30°C ... +80°C
EN 60512-11-10
-40°C ... +85°C
EN 60512-11-4
UL 2238
-30°C ... +85°C

Mating cycles: >=100
IEC 60512-9a

Wire specification:

Temperatur range static: -30°C ... +80°C
flexibel: -5°C ... +80°C

Materials:

Contact: CuZn, Ni b / Au 0,2 gal.

Contact carrier: PA, UL 94

Sealing chassis: NBR

Counternut: CuZn, nickel plated

Socket housing: CuZn, nickel plated

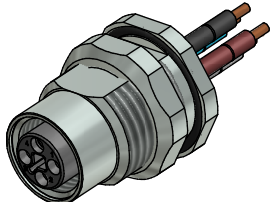
Grouting: Polyurethane-resin, UL 94

Installation specification:

Recommended torque: 1-1,2 Nm

Conec installation tool: Torque wrench: 36-000200
Insert across flats 19: 36-000250

Installation hole: see fig.1 43K1A1791



Part no:	Description:	Pos	Lenght L:	Wire:
43-02416	SAL - 12T - FKH3 - 0,5	3	0,5m	AWG 16 PVC, UL
43-xxxxx	SAL - 12T - FKH3 - ...	3	x	
43-02397	SAL - 12T - FKH4 - 0,5	4	0,5m	
43-xxxxx	SAL - 12T - FKH4 - ...	4	x	

DO NOT ALTER CAD DRAWING BY HAND Directive 2011/65/EU RoHS compliant	Index a: 14.09.15 Brü A5814 specifications changed, 3-pos. added	dim. in mm	title: Female socket M12x1 with wire, T-cod., backmounting		
	tolerance of cable: L <= 0,5m: L + 20mm L > 0,5m: L + 4%	drawn 17.02.14 appd. 10.04.14	date 17.02.14 10.04.14	name Gitinow Brüntrup	dwg no:
	general tolerance: 0 ± 0,50mm 0,0 ± 0,25mm 0,00 ± 0,10mm			43K1A2268	
	THIS DRAWING MAY NOT BE COPIED OR REPRODUCED IN ANY WAY, AND MAY NOT BE PASSED ON TO A THIRD PARTY WITHOUT WRITTEN PERMISSION. OWNERSHIP AND COPYRIGHT OF CONEC GmbH			part no: see table	