

Technical specification:

Rated voltage: 4pos 5pos
IEC 61076-2-101 250 V 60V

Current rating: 4/5pos
IEC 61076-2-101 4 A at 40°C

Insulation resistance: >=100 MΩ
IEC 60512

Pollution degree: 3/2
IEC 60664-1

Degree of protection: IP 67, in mated condition
IEC 60529

Temperature range: -25°C ... +95°C
EN 60512-11-10 -40°C
EN 60512-11-4 -40°C ... +85°C

Mating cycles: >=100
IEC 60512-9a

Materials:

Contact: CuZn, Ni b / Au 0,2 gal.

Contact carrier: LCP GF, UL 94 V-0

Sealing: FPM / NBR

Soldering sheet: CuZn, Ni / tin plated

Socket housing: CuZn, Ni

Installation specification:

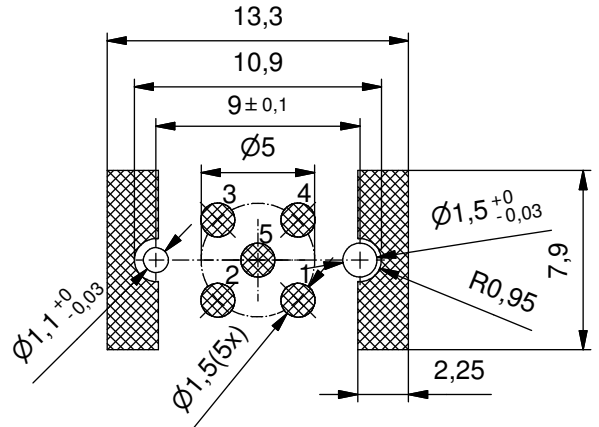
Recommended torque: 1-1,2 Nm

Conec installation tool: Torque wrench: 36-000200
Insert across flats 17: 36-000230

Insulating body module suitable for reflow soldering max. 60s / 250°C

Coplanarity of all contacts, soldering sheets and shroud max 0,1mm

Layout proposal



Part no. packing unit Tape & Reel:	Part no. packing unit in bulk:	Description:	Pos
43-02103TR	43-02103	SAL - 12 - FK4 - X13 / 14 / SMT	4
43-02104TR	43-02104	SAL - 12 - FK5 - X13 / 14 / SMT	5

DO NOT ALTER CAD DRAWING BY HAND

RoHS & REACH compliant

Index b 30.03.16 brü Ä6042
technical data changed & tolerance optimized

general tolerance: 0 ± 0,50mm
0,0 ± 0,25mm
0,00 ± 0,10mm
* ± 1,5°

THIS DRAWING MAY NOT BE COPIED OR REPRODUCED IN ANY WAY, AND MAY NOT BE PASSED ON TO A THIRD PARTY WITHOUT WRITTEN PERMISSION. OWNERSHIP AND COPYRIGHT OF CONEC GmbH

dim. in mm

date	name
drawn 03.01.13	Kniesburgess
appd. 04.01.13	Mankopf

CONEC®

title: Female socket M12x1 SMT

dwg no: 43K1A1815

part no: see table