

PLEASE CHECK WWW.MOLEX.COM FOR LATEST PART INFORMATION

Part Number: [0424750661](#)
Status: **Active**
Overview: Mini-Fit BMI Connectors
Description: Mini-Fit BMI Plug Housing, 4.20mm Pitch Dual Row with Panel Mount Ears, Nylon, Glow-Wire Capable, 6 Circuits, Black

Documents:

3D Model	Packaging Specification PK-42474-001-001 (PDF)
Drawing (PDF)	Test Summary 457500003-TS-000 (PDF)
3D Model (PDF)	Test Summary TS-42475-001-001 (PDF)
Product Specification PS-45750-001-001 (PDF)	Test Summary TS-5556-002-001 (PDF)
Product Specification PS-5556-002-001 (PDF)	RoHS Certificate of Compliance (PDF)

Agency Certification

CSA LR19980

General

Product Family	Crimp Housings
Series	42475
Application	Power, Wire-to-Board, Wire-to-Wire
Comments	Current = 13A max. per circuit when header is mated to a receptacle loaded with 45750 series terminals crimped to 16 AWG wire. . See Molex product specification PS-45750-001 for additional current derating information.
Overview	Mini-Fit BMI Connectors
Product Name	Mini-Fit BMI
UPC	889056760041

Physical

Circuits (maximum)	6
Color - Resin	Black
Flammability	94V-2
Gender	Plug
Glow-Wire Capable	Yes
Lock to Mating Part	None
Material - Resin	Nylon
Net Weight	3.444/g
Number of Rows	2
Packaging Type	Bag
Panel Mount	Yes
Pitch - Mating Interface	4.20mm
Pitch - Termination Interface	4.20mm
Polarized to Mating Part	Yes
Stackable	No
Temperature Range - Operating	-40° to +105°C

Electrical

Current - Maximum per Contact 13.0A

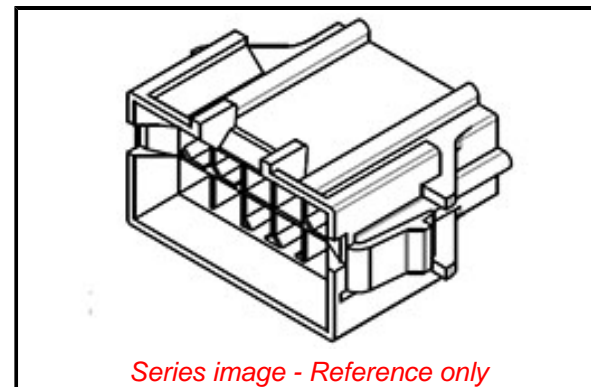
Solder Process Data

Lead-freeProcess Capability N/A

Material Info

Reference - Drawing Numbers

Packaging Specification	PK-42474-001-001
Product Specification	PS-45750-001-001, PS-5556-002-001



Series image - Reference only

EU ELV

Not Relevant

EU RoHS

Compliant

REACH SVHC

Not Contained Per - D(2020)4578-DC (25 June 2020)

Halogen-Free

Status

Not Low-Halogen

For more information, please visit [Contact US](#)

China ROHS

ELV

RoHS Phthalates

China RoHS

Green Image

Not Relevant

Not Contained

Search Parts in this Series

[42475](#) Series

Mates With

[15060040](#) MiniFit BMI Panel Mount Receptacle, [42385](#) MiniFit BMI 4 Circuit, UL 94V2 Vertical Receptacle Headers, [444750411](#) MiniFit HCS BMI Vertical Receptacle Header

Use With

Mini-Fit Male Crimp Terminals [5558](#)

Mini-Fit Plus HCS Crimp Terminals [46012](#)
Mini-Fit Pre-Crimped Leads [797580005](#) , [797580013](#)

This document was generated on 10/21/2020

PLEASE CHECK WWW.MOLEX.COM FOR LATEST PART INFORMATION