

**Technical specification:**

Rated voltage: 50 V AC / 60 V DC  
IEC 61076-2-104

Current rating: 4 A at 40°C  
IEC 61076-2-104

Insulation resistance: >=100 MΩ  
IEC 60512

Pollution degree: 3  
IEC 60664-1

Degree of protection: IP 67, in mated condition  
IEC 60529

Temperature range: -25°C ... +95°C  
EN 60512-11-10  
-40°C ... +85°C  
EN 60512-11-4

Mating cycles: >=100  
IEC 60512-9a

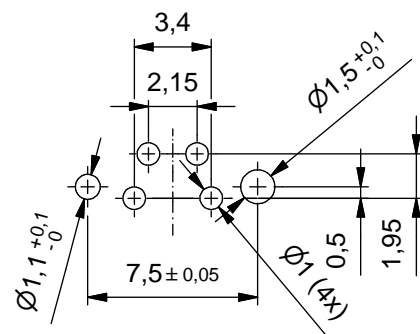
**Materials:**

Contact: CuZn, Ni b / Au 0,2 gal.

Contact carrier: LCP GF, UL 94 V-0

Suitable for reflow soldering  
max. 60s / 250°C

**Layout proposal**

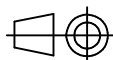


Part no. packing unit Tape & Reel:	Part no. packing unit in bulk:	Description:	Pos
42-01394TR	42-01394	SAL - 8 - IS4 / THR	4

DO NOT ALTER CAD DRAWING BY HAND

RoHS & REACH compliant

Index: a 04.04.16 rbo Ä6018  
Marking in mating face removed, contact carrier: material information extended



dim. in mm

	date	name
drawn	19.03.15	Gitinow
appd.	19.03.15	Schramm

title:  
**Insulating body male M8x1 THR**

dwg no:  
**42K1A920**

part no:  
**see table**

general tolerance: 0 ± 0,50mm  
0,0 ± 0,25mm  
0,00 ± 0,10mm  
+ ± 5°



THIS DRAWING MAY NOT BE COPIED OR REPRODUCED IN ANY WAY, AND MAY NOT BE PASSED ON TO A THIRD PARTY WITHOUT WRITTEN PERMISSION. OWNERSHIP AND COPYRIGHT OF CONEC GmbH

# Mouser Electronics

Authorized Distributor

Click to View Pricing, Inventory, Delivery & Lifecycle Information:

[Amphenol:](#)

[42-01394](#)