

Technical specification:

Rated voltage: 50 V AC / 60 V DC
IEC 61076-2-104

Current rating: 4 A at 40°C
IEC 61076-2-104

Insulation resistance: >=100 MΩ
IEC 60512

Pollution degree: 3
IEC 60664-1

Degree of protection: IP 67, in mated condition
IEC 60529

Temperature range: -25°C ... +95°C
EN 60512-11-10
-40°C ... +85°C
EN 60512-11-4

Mating cycles: >=100
IEC 60512-9a

Materials:

Contact: CuZn, Ni b / Au 0,2 gal.

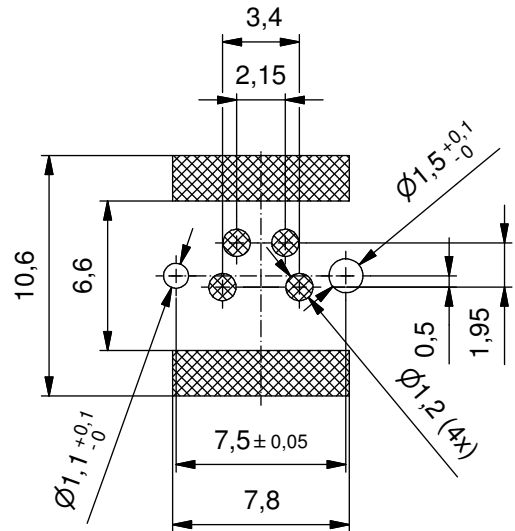
Contact carrier: LCP GF, UL 94 V-0

Shroud: CuSn, nickel / sel. tin plated

Suitable for reflow soldering
max. 60s / 250°C

Coplanarity of all contacts and soldering sheets max 0,1mm

Layout proposal



Part no. packing unit in bulk:	Part no. packing unit in bulk:	Description:	Pos
42-01220TR	42-01220	SAL - 8S - IS4 / SMT	4

DO NOT ALTER CAD DRAWING BY HAND RoHS & REACH compliant	Index: a 04.04.16 KHÄ6018	
	Marking in mating face removed, contact carrier: material information extended, soldering sheet removed	
	general tolerance:	0 ± 0,50mm 0,0 ± 0,25mm 0,00 ± 0,10mm + ± 5°
	THIS DRAWING MAY NOT BE COPIED OR REPRODUCED IN ANY WAY, AND MAY NOT BE PASSED ON TO A THIRD PARTY WITHOUT WRITTEN PERMISSION. OWNERSHIP AND COPYRIGHT OF CONEC GmbH	

dim. in mm	date	name
	drawn 18.02.15	Gitinow
	appd. 16.03.15	Schramm

title:	Insulating body male M8x1 SMT, shielded
dwg no:	42K1A746
part no:	see table

Mouser Electronics

Authorized Distributor

Click to View Pricing, Inventory, Delivery & Lifecycle Information:

[Amphenol:](#)

[42-01220](#)