

Technical specification:

Rated voltage: 50 V AC / 60 V DC
IEC 61076-2-104

Current rating: 4 A at 40°C
IEC 61076-2-104

Insulation resistance: >=100 MΩ
IEC 60512

Pollution degree: 3
IEC 60664-1

Degree of protection: IP 67, in mated condition
IEC 60529

Temperature range: -25°C ... +95°C
EN 60512-11-10
-40°C ... +85°C
EN 60512-11-4

Mating cycles: >=100
IEC 60512-9a

Materials:

Contact: CuZn, Ni b / Au 0,2 gal.

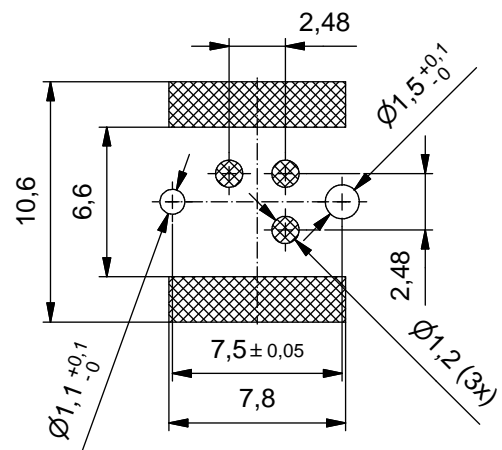
Contact carrier: LCP GF, UL 94 V-0

Shroud: CuSn, nickel / sel. tin plated

Suitable for reflow soldering
max. 60s / 250°C

Coplanarity of all contacts and soldering sheets max 0,1mm

Layout proposal



Part no. packing unit Tape & Reel:	Part no. packing unit in bulk:	Description:	Pos
42-01215TR	42-01215	SAL - 8S - IK3 / SMT	3

DO NOT ALTER CAD DRAWING BY HAND	RoHS & REACH compliant	Index: a 30.03.16 rbo Ä6018	dim. in mm	title: Insulating body female M8x1 SMT, shielded		
		Marking in mating face removed, contact carrier: material information extended, soldering sheet removed			date name	
		general tolerance:	0 ± 0,50mm			dwg no: 42K1A741
			0,0 ± 0,25mm			part no: see table
THIS DRAWING MAY NOT BE COPIED OR REPRODUCED IN ANY WAY, AND MAY NOT BE PASSED ON TO A THIRD PARTY WITHOUT WRITTEN PERMISSION. OWNERSHIP AND COPYRIGHT OF CONEC GmbH						

Mouser Electronics

Authorized Distributor

Click to View Pricing, Inventory, Delivery & Lifecycle Information:

[Amphenol:](#)

[42-01215](#)