

DSPL-NR1-X-50MM ✓ ACTIVE

[RAYCHEM](#) | [RAYCHEM DSPL](#)

TE Internal #: 4159206001

Clear, 4:1, Dual Wall Tubing, Shrinks To .05 in [1.27 mm], Irradiated Modified Polyolefin, .224 in [5.7 mm] Inner Diameter, RAYCHEM DSPL

[View on TE.com >](#)



Heat Shrink Tubing > DSPL Heat Shrink Tubing



Primary Product Color: **Clear**

Wall Type: **Dual Wall**

Expanded Inside Diameter (Min): **5.7 mm [.224 in]**

Recovered Inside Diameter (Max): **1.27 mm [.05 in]**

Shrink Ratio: **4:1**

[All DSPL Heat Shrink Tubing \(19\)](#)

Features

Product Type Features

Wall Type	Dual Wall
-----------	-----------

Body Features

Fluid Type	Typical Automotive Fluids, Water
Primary Product Color	Clear
Shrink Ratio	4:1
Primary Product Material	Irradiated Modified Polyolefin
Flexibility	Semi-Rigid

Dimensions

Recovered Wall Thickness (Tolerance)	1.42 mm[.056 in]
Product Length	50 mm[1.97 in]
Expanded Inside Diameter (Min)	5.7 mm[.224 in]
Recovered Inside Diameter (Max)	1.27 mm[.05 in]
Tubing Size Range	1.27 - 5.7 mm[.05 - .224 in]

Usage Conditions

Shrink Temperature (Min)	110 °C
Resistance Properties	Moisture, Splash Protection
Tubing Flammability Type	Non-Flame-Retardant



Operating Temperature Range	-40 - 125 °C
Recovery Temperature	135 °C

Operation/Application

Mechanical Resistance	Abrasion, Fluids
-----------------------	------------------

Product Availability

Applicable Region	EMEA
-------------------	------

Packaging Features

Packaging Method	Box
------------------	-----

Other

Meets Low Outgassing Requirements	No
Product Source	Czech Republic

Product Compliance

[For compliance documentation, visit the product page on TE.com>](#)

EU RoHS Directive 2011/65/EU	Compliant
EU ELV Directive 2000/53/EC	Compliant
China RoHS 2 Directive MIIT Order No 32, 2016	No Restricted Materials Above Threshold
EU REACH Regulation (EC) No. 1907/2006	Current ECHA Candidate List: JAN 2024 (240) Candidate List Declared Against: JAN 2024 (240) Does not contain REACH SVHC
Halogen Content	Low Halogen - Br, Cl, F, I < 900 ppm per homogenous material. Also BFR/CFR/PVC Free
Solder Process Capability	Not applicable for solder process capability

Product Compliance Disclaimer

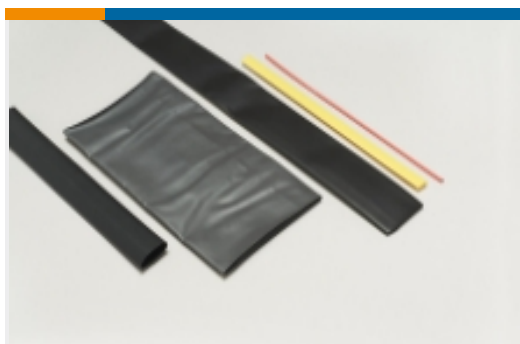
This information is provided based on reasonable inquiry of our suppliers and represents our current actual knowledge based on the information they provided. This information is subject to change. The part numbers that TE has identified as EU RoHS compliant have a maximum concentration of 0.1% by weight in homogenous materials for lead, hexavalent chromium, mercury, PBB, PBDE, DBP, BBP, DEHP, DIBP, and 0.01% for cadmium, or qualify for an exemption to these limits as defined in the Annexes of Directive 2011/65/EU (RoHS2). Finished electrical and electronic equipment products will be CE marked as required by Directive 2011/65/EU. Components may not be CE marked. Additionally, the part numbers that TE has identified as EU ELV compliant have a maximum concentration of 0.1% by weight in homogenous materials for lead, hexavalent chromium, and mercury, and 0.01% for cadmium, or qualify for an exemption to these limits as defined in the Annexes of Directive 2000/53/EC (ELV). Regarding the REACH Regulation, the information TE provides on SVHC in articles for this part number is based on the latest European Chemicals Agency (ECHA) 'Guidance on requirements for substances in articles' posted at this URL: <https://echa.europa.eu/guidance-documents/guidance-on-reach>

Compatible Parts



TE Part # EG1114-000
CV1981-ST-230V1600W-EU

Also in the Series | RAYCHEM DSPL



Heat Shrink Tubing(19)

Customers Also Bought



TE Part # 1-745494-5
15 HDE MS PLUG,22-26,LEAD FREE



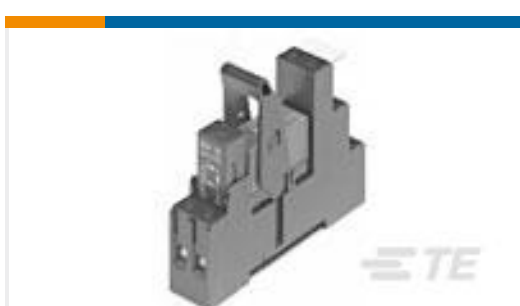
TE Part # 1-745493-5
15 HDE MS RCPT,22-26,LEAD FREE



TE Part # 207019-1
METRIMATE PLUG,36 POS



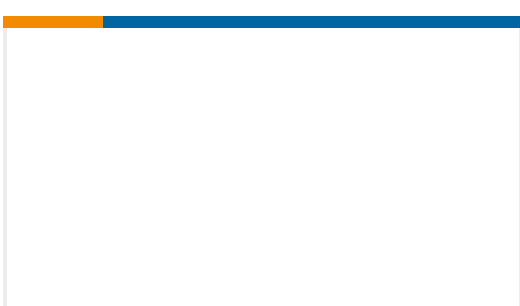
TE Part # 5983226001
DSPL-NR2-0-50MM



TE Part # 3-1415073-1
RT4S4T30



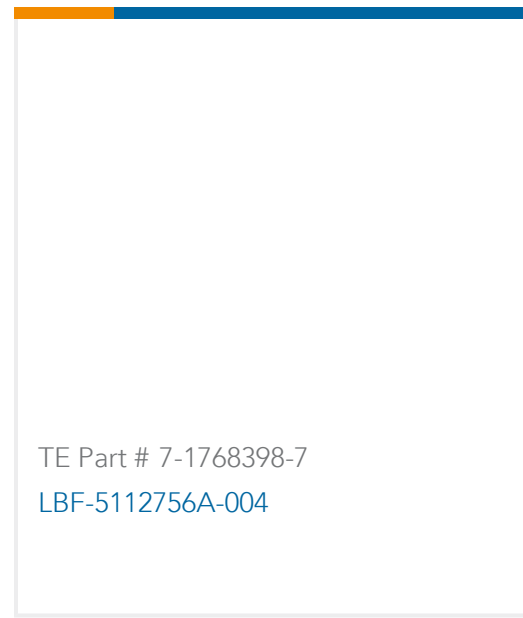
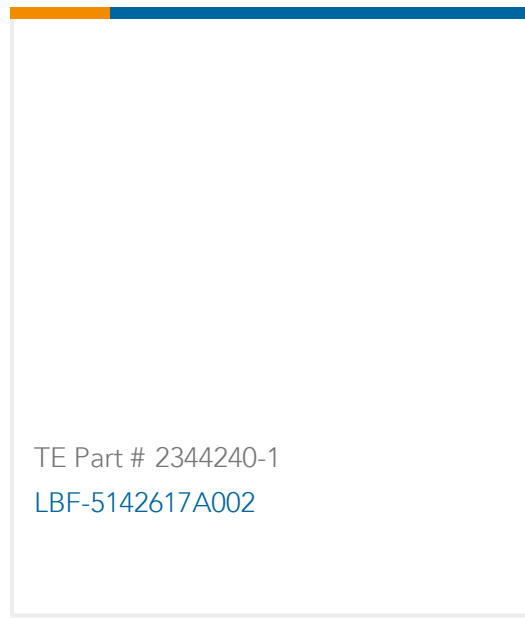
TE Part # 154661-2
FF 250 REC 22-18 AWG TPBR LP



TE Part # 1SNA179534R2200
BRT80A



TE Part # 2-1768393-0
LBF-5015173A



Documents

Product Drawings

[DSPL-NR1-X-50MM](#)

English

Datasheets & Catalog Pages

[Measuring_Single_Wall_Tubing](#)

English

[DSPL Pages from 9-1773447-9](#)

English

[Selecting_Correct_Tubing_1216](#)

English

Product Specifications

[Application Specification](#)

English