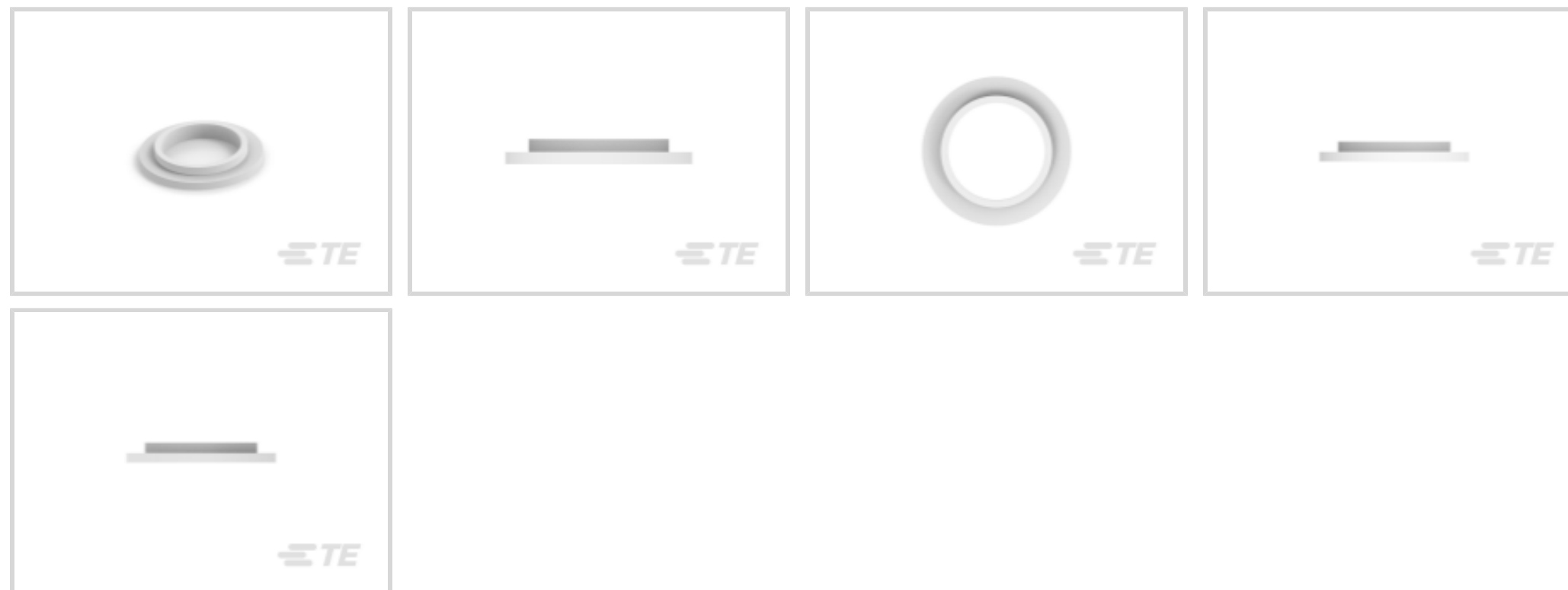




Connectors > Connector Accessories > Connector Hardware



Hardware Accessory Function: **Latching, Locking & Retention, Mounting**

Connector Hardware Accessory Type: **Isolation Washer**

Features

Product Type Features

Hardware Accessory Function	Latching, Locking & Retention, Mounting
Connector Hardware Accessory Type	Isolation Washer

Product Compliance

[For compliance documentation, visit the product page on TE.com>](#)

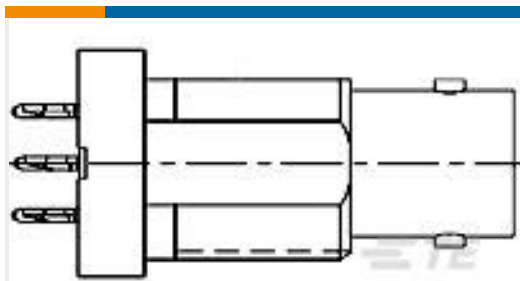
EU RoHS Directive 2011/65/EU	Compliant
EU ELV Directive 2000/53/EC	Compliant
China RoHS 2 Directive MIIT Order No 32, 2016	No Restricted Materials Above Threshold
EU REACH Regulation (EC) No. 1907/2006	Current ECHA Candidate List: JUNE 2023 (235) Candidate List Declared Against: JUNE 2023 (235) Does not contain REACH SVHC
Halogen Content	Low Halogen - Br, Cl, F, I < 900 ppm per homogenous material. Also BFR/CFR/PVC Free
Solder Process Capability	Not reviewed for solder process capability

Product Compliance Disclaimer

This information is provided based on reasonable inquiry of our suppliers and represents our current actual knowledge based on the information they provided. This information is subject to change. The part numbers that TE has identified as EU RoHS compliant have a maximum concentration of 0.1% by weight in homogenous materials for lead, hexavalent chromium, mercury, PBB, PBDE, DBP, BBP, DEHP, DIBP, and 0.01% for cadmium, or qualify for an exemption to these

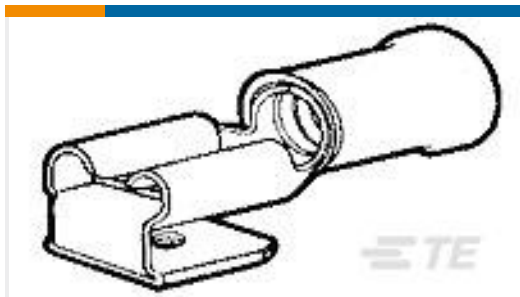
limits as defined in the Annexes of Directive 2011/65/EU (RoHS2). Finished electrical and electronic equipment products will be CE marked as required by Directive 2011/65/EU. Components may not be CE marked. Additionally, the part numbers that TE has identified as EU ELV compliant have a maximum concentration of 0.1% by weight in homogenous materials for lead, hexavalent chromium, and mercury, and 0.01% for cadmium, or qualify for an exemption to these limits as defined in the Annexes of Directive 2000/53/EC (ELV). Regarding the REACH Regulation, the information TE provides on SVHC in articles for this part number is based on the latest European Chemicals Agency (ECHA) 'Guidance on requirements for substances in articles' posted at this URL: <https://echa.europa.eu/guidance-documents/guidance-on-reach>

Compatible Parts

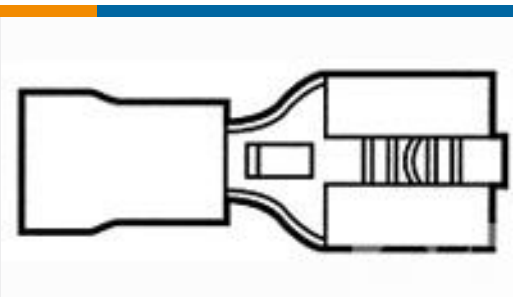


TE Part # 5415456-1
JACK,PCB,PIN,BNC,75 OHM

Customers Also Bought



TE Part #160834-2
PIDG PIGGY-B FASTON



TE Part #9-160583-2
250 PIDG FASTON REC



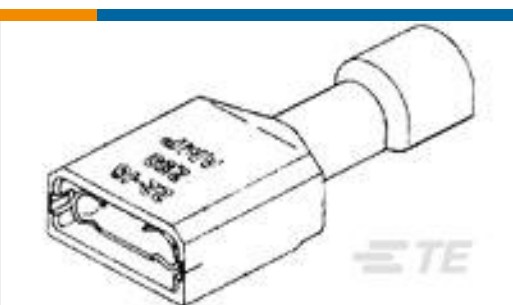
TE Part #215876-1
6/6 PCB MOD.JACK SE



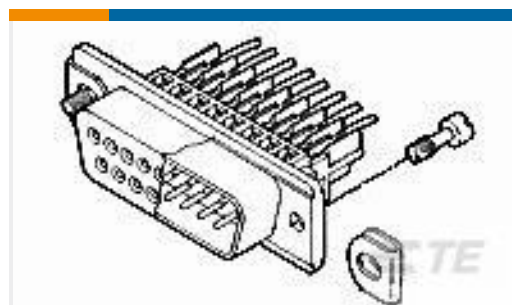
TE Part #1-1393219-0
PE014024



TE Part #130205
PIDG RING



TE Part #2-520083-2
ULTRA-FAST .110/.125 ASY REC 22-18
TPBR



TE Part #5745647-1
HD KIT, MALE SCREW RET.



TE Part #1393827-2
V23154Z1022

Documents

Product Drawings

WASHER,STEPPED

English

CAD Files

3D PDF

3D

Customer View Model

[ENG_CVM_CVM_415459-1_C.2d_dxf.zip](#)



English

Customer View Model

[ENG_CVM_CVM_415459-1_C.3d_igs.zip](#)

English

Customer View Model

[ENG_CVM_CVM_415459-1_C.3d_stp.zip](#)

English

By downloading the CAD file I accept and agree to the [Terms and Conditions](#) of use.

Datasheets & Catalog Pages

[BNC Connectors](#)

English