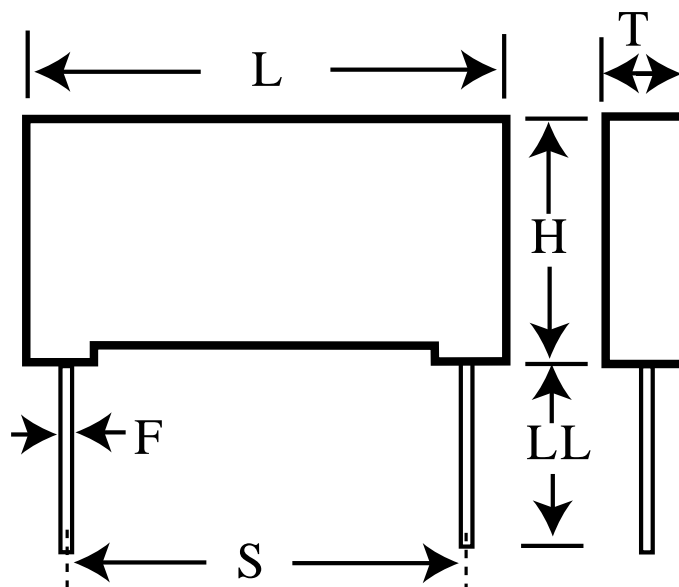


R413I13305000M

aka 413I13305000M

Capacitor, film, 3300 pF, +/-20% Tol, -40/+110C, Safety: Y2/X1, 300VAC, Lead Spacing=15 mm



Dimensions (mm)

Specifications

ID	Dimension	Tolerance	Manufacturer:	KEMET
L	18	+0.3	Brand:	Arcotronics
H	11	+0.1	Capacitance:	3300 pF
T	5	+0.2	Temperature Range:	-40/+110C
S	15		Rated Temperature:	105C
LL	25	+2/-1	Voltage @ rated temp:	1000V
F	0.6	+/-0.05	Voltage AC:	300VAC
			Tolerance:	+/-20%
			Body Type:	Radial Box
			Construction:	Non-inductive
			Application:	Safety: Y2/X1
			Dielectric:	Metallized Polypropylene
			Dissipation Factor @ 1 kHz:	0.3%
			Insulation Resistance:	100 GOhm
			Maximum dVdT:	600v/us
			UL_1414:	250V
			UL_1283:	300V
			IEC_60384-14:	300V
			EN_132400:	300V
			C_22.2_NO.1:	250V
			CQC_GB/T 14472:	300V
			Package Kind:	Bulk
			Package Type:	Bag
			Package Quantity:	1000