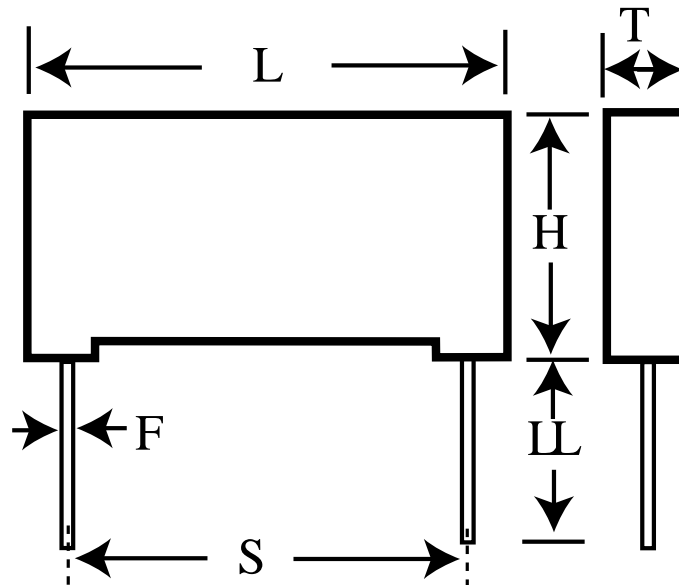


R413F1150CK00K

aka 413F1150CK00K

Capacitor, film, 1500 pF, +/-10% Tol, -40/+110C, Safety: Y2/X1, 300VAC, Lead Spacing=10 mm



Dimensions (mm)

Specifications

ID	Dimension	Tolerance
L	13	+0.2
H	9	+0.1
T	4	+0.2
S	10	+/-0.4
LL	18.5	+/-0.5
F	0.6	+/-0.05

Manufacturer:	KEMET
Brand:	Arcotronics
Capacitance:	1500 pF
Temperature Range:	-40/+110C
Rated Temperature:	105C
Voltage @ rated temp:	1000V
Voltage AC:	300VAC
Tolerance:	+/-10%
Body Type:	Radial Box
Construction:	Wound
Application:	Safety: Y2/X1
Dissipation Factor @ 1 kHz:	0.3%
Insulation Resistance:	100 GOhm
Maximum dVdT:	800v/us
UL_1414:	250V
UL_1283:	300V
IEC_60384-14:	300V
EN_132400:	300V
C_22.2_NO.1:	250V
CQC_GB/T 14472:	300V
Package Kind:	T&R
Package Size:	500mm
Package Quantity:	1500