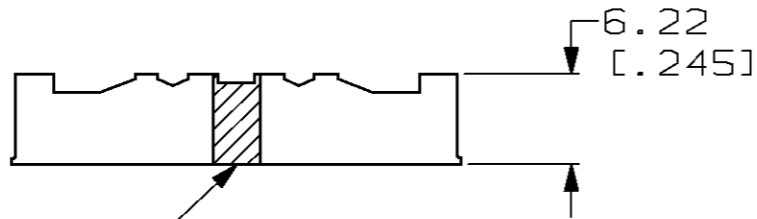
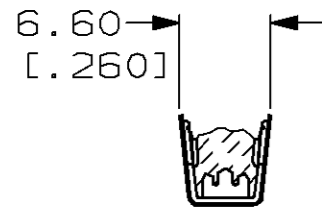
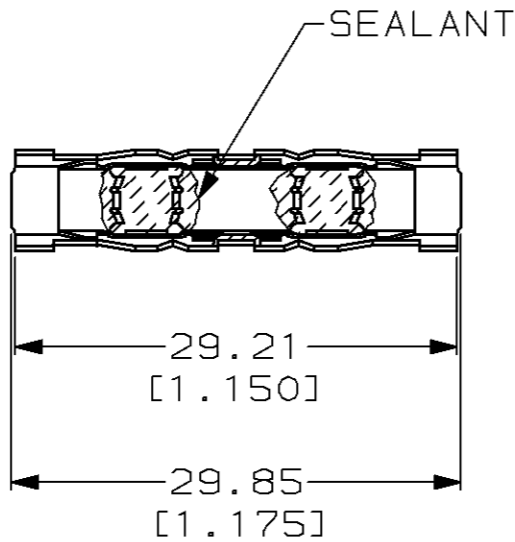


THIS DRAWING IS UNPUBLISHED. RELEASED FOR PUBLICATION, 19 .
 © COPYRIGHT 19 BY AMP INCORPORATED. ALL RIGHTS RESERVED.

LOC	DIST	REVISIONS			
P	LTR	DESCRIPTION	DATE	DWN	APVD
EY	24	0	RLSD; NPR C97-026	10FEB97	GG GT



YELLOW COLOR STRIPE

- 1. TIN PLATED PHOSPHOR BRONZE ON YELLOW STRIPED POLYESTER FILM WITH ENCAPSULATED SEALANT.
- 2. CONSULT APPROPRIATE PRODUCT INFORMATION BULLETINS AND SPECS FOR WIRE RANGE AND APPLICATION DATA.
- 3. THIS DRAWING RESTRICTED TO GTE.
- 4. 55 CONNECTORS PACKAGED PER BAG.

406586-1
PART NO.

THIS DRAWING IS A CONTROLLED DOCUMENT FOR AMP INCORPORATED. IT IS SUBJECT TO CHANGE AND THE CONTROLLING ENGINEERING ORGANIZATION SHOULD BE CONTACTED FOR THE LATEST REVISION.		DWN G. GARRETT 10FEB97	AMP Incorporated Harrisburg, PA 17105-3608
DIMENSIONS: mm [INCHES]		CHK G. GARRETT 10FEB97	
		APVD G. THRUSH 10FEB97	
TOLERANCES UNLESS OTHERWISE SPECIFIED:		NAME	
0 PLC ±- 1 PLC ±- 2 PLC ±- 3 PLC ±0.13 [0.005] 4 PLC ±- ANGLES ±-		PRODUCT SPEC	CONNECTOR, WEATHER-RESISTANT, YELLOW, PICABOND
MATERIAL	FINISH	APPLICATION SPEC	SIZE
1	1	WEIGHT	CAGE CODE
		RESTRICTED CUSTOMER	A3 00779
			DRAWING NO
			C-406586
			SCALE
			2:1
			SHEET
			1 OF 1
			REV
			0