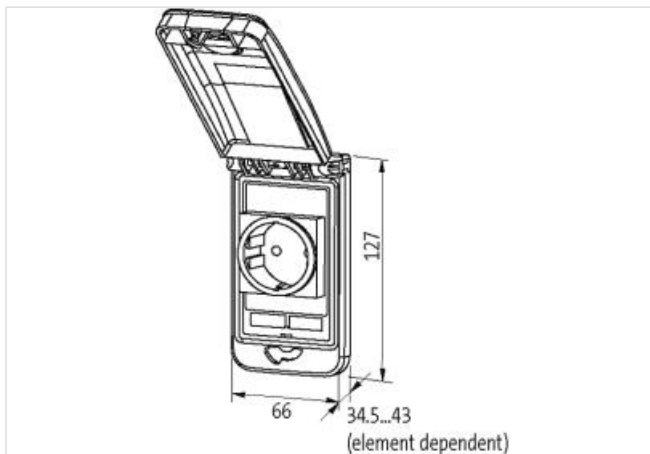
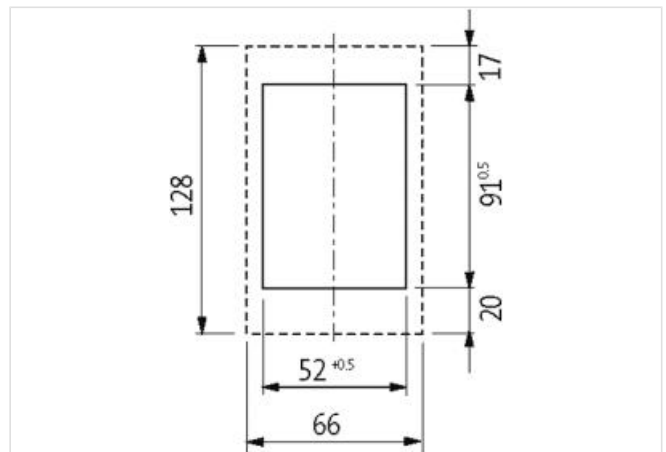


MODLINK MSDD FRAME SINGLE TRANSPARENT

Closure 3 mm double bit incl. pluggable knob

Frame: plastic PA black
 Lid: plastic, PC transparent
 Closure: 3 mm double bit
 with attachable rotation knob

[Link to Product](#)**Illustration**

Product may differ from Image

**Frame**

suitable for mounting with wall thickness	1...5 mm
Protection	IP65
Temperature range	-30...+70 °C (storage temperature -30...+80 °C)
Housing	Frame: plastic PA black, cap: plastic PC transparent

General data

Dimensions H×W×D	127×66×43 mm
------------------	--------------

The information in this brochure has been compiled with the utmost care.

Liability for the correctness completeness and topicality of the information is restricted to gross negligence. Version: 2023-02-22

Murrelektronik Inc. | 1327 Northbrook Parkway, Suite 460 | Suwanee, GA 30024 | Fon +1 770 497-9292 | Fax +1 770 497-9391 | shop@murrinc.com | shop.murrinc.com

Product article number of manufacturer 4000-68512-0000001