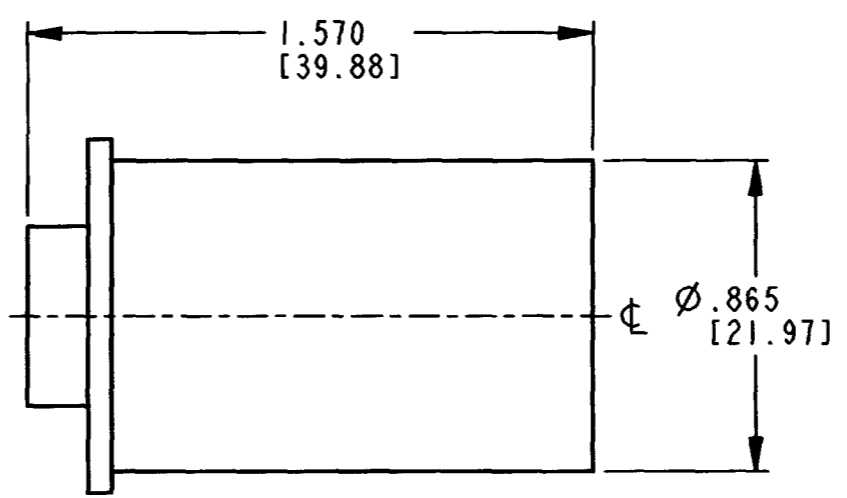
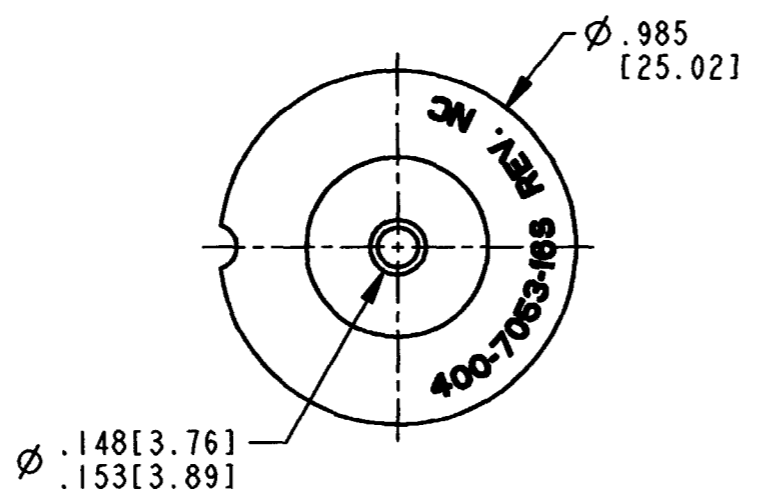


REV
NC 400-7053-16S

REVISIONS			
SYM	DESCRIPTION	DATE	APPROVED
NC	NEW RELEASE PER E.O. P19621	10-23-07	RDR



- NOTES:
1. DIMENSIONS ARE IN INCHES [mm].
 2. DIMENSION TOLERANCE: $\pm .025$ [.63].
 3. MATERIAL: STEEL
 4. THIS LOCATOR FITS THE HDP-400 CRIMPER.
 5. THIS LOCATOR ACCOMMODATES CONTACT 0460-247-16**.

SIGNATURE & DATE	
DR	A. MALAGON 22AUG07
CHK	Juan C. Lopez 10/23/07
PE	Chick 10-23-07
APPD	S. Bend 10-23-07
SCALE	NONE WT

LOCATOR
HDP-400

ENVELOPE

EP	MATL. CODE
3850 INDUSTRIAL AVE. HEMET, CA 92545	
B	400-7053-16S
DWG SIZE	CODE 11139 SHEET OF