

4-6450120-7 ✓ ACTIVE

## MULTI-BEAM

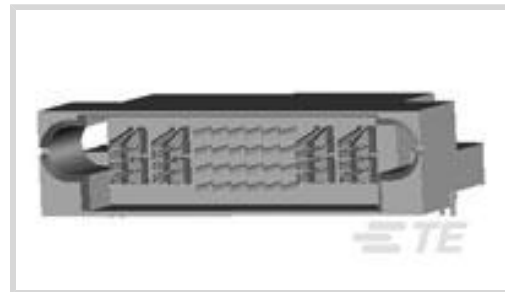
TE Internal #: 4-6450120-7

PCB Mount Header, Right Angle, Board-to-Board, 28 Position, 2.54 mm / 6.35 mm [.1 in / .25 in] Centerline, Fully Shrouded, Gold, Through Hole - Solder

[View on TE.com >](#)



Connectors > PCB Connectors > PCB Headers & Receptacles



PCB Connector Assembly Type: **PCB Mount Header**

PCB Mount Orientation: **Right Angle**

Connector System: **Board-to-Board**

Number of Positions: **28**

Number of Rows: **4**

## Features

### Product Type Features

Mixed & Hybrid Header	Yes
Connector Shape	Rectangular
PCB Connector Assembly Type	PCB Mount Header
Connector System	Board-to-Board
Header Type	Fully Shrouded
Sealable	No
Connector & Contact Terminates To	Printed Circuit Board

### Configuration Features

Number of Power Positions	4
Mating & Unmating Configuration	Sequencing
Number of Columns	10
Number of Loaded Positions	28
Number of Signal Positions	24
PCB Mount Orientation	Right Angle
Number of Positions	28
Number of Rows	4
Board-to-Board Configuration	Co-Planar

### Electrical Characteristics



Operating Voltage	60 VAC, 200 VAC
-------------------	-----------------

### Body Features

Primary Product Color	Black
-----------------------	-------

### Contact Features

Contact Size	.64mm
--------------	-------

Mating Square Post Dimension	.64 mm[.025 in]
------------------------------	-----------------

PCB Contact Termination Area Plating Material Thickness	2.54 – 5.08 $\mu$ m[100 – 200 $\mu$ in]
---	---

Contact Layout	Matrix
----------------	--------

Contact Underplating Material Thickness	1.27 $\mu$ m[50 $\mu$ in]
---	---------------------------

Contact Shape & Form	Square
----------------------	--------

Contact Underplating Material	Nickel
-------------------------------	--------

PCB Contact Termination Area Plating Material	Tin
---	-----

Contact Base Material	Copper Alloy
-----------------------	--------------

Contact Mating Area Plating Material	Gold
--------------------------------------	------

Contact Mating Area Plating Material Thickness	.076 $\mu$ m[3 $\mu$ in]
--	--------------------------

Contact Type	Blade, Tab
--------------	------------

Contact Current Rating (Max)	42 A
------------------------------	------

### Termination Features

Square Termination Post & Tail Dimension	.64 mm[.025 in]
--	-----------------

Termination Post & Tail Length	3.43 mm[.135 in]
--------------------------------	------------------

Termination Method to PCB	Through Hole - Solder
---------------------------	-----------------------

### Mechanical Attachment

PCB Mount Alignment Type	Hold-Down
--------------------------	-----------

Mating Retention	Without
------------------	---------

PCB Mount Retention Type	Hold-Down
--------------------------	-----------

Mating Alignment	With
------------------	------

Mating Alignment Type	Polarization
-----------------------	--------------

PCB Mount Retention	With
---------------------	------

PCB Mount Alignment	With
---------------------	------

Connector Mounting Type	Board Mount
-------------------------	-------------

### Housing Features

Centerline (Pitch)	2.54 mm, 6.35 mm[.1 in][.25 in]
--------------------	---------------------------------



Housing Material

High Temperature Thermoplastic Glass-Filled

### Dimensions

Connector Length

57.15 mm[2.25 in]

Connector Height

14.58 mm[.574 in]

Connector Width

23.62 mm[.93 in]

Row-to-Row Spacing

2.54 mm[.1 in]

PCB Thickness (Recommended)

2.11 – 2.62 mm[.083 – .103 in]

### Usage Conditions

Operating Temperature (Max)

105 °C[221 °F]

Operating Temperature Range

-55 – 105 °C[-67 – 221 °F]

### Operation/Application

Circuit Application

Power &amp; Signal

### Industry Standards

Glow Wire Rating

High Temperature Part - Not Glow Wire

UL Flammability Rating

UL 94V-0

### Packaging Features

Packaging Quantity

44

Packaging Method

Tray

### Product Compliance

[For compliance documentation, visit the product page on TE.com>](#)

EU RoHS Directive 2011/65/EU

Compliant

EU ELV Directive 2000/53/EC

Compliant

China RoHS 2 Directive MIIT Order No 32, 2016

No Restricted Materials Above Threshold

EU REACH Regulation (EC) No. 1907/2006

Current ECHA Candidate List: JUNE 2024 (241)  
 Candidate List Declared Against: JUNE 2024 (241)  
 Does not contain REACH SVHC

Halogen Content

Not Low Halogen - contains Br or Cl &gt; 900 ppm.

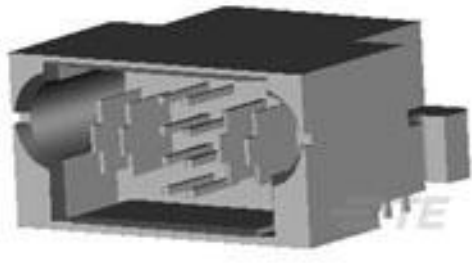
Solder Process Capability

Wave solder capable to 265°C

Product Compliance Disclaimer

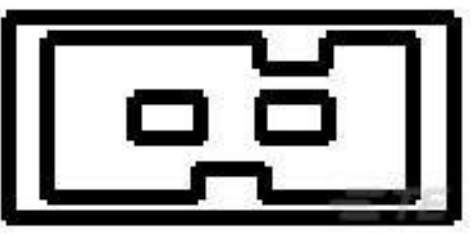
This information is provided based on reasonable inquiry of our suppliers and represents our current actual knowledge based on the information they provided. This information is subject to change. The part numbers that TE has identified as EU RoHS compliant have a maximum concentration of 0.1% by weight in homogenous materials for lead, hexavalent chromium, mercury, PBB, PBDE, DBP, BBP, DEHP, DIBP, and 0.01% for cadmium, or qualify for an exemption to these limits as defined in the Annexes of Directive 2011/65/EU (RoHS2). Finished electrical and electronic equipment products will be CE marked as required by Directive 2011/65/EU. Components may not be CE marked. Additionally, the part numbers that TE has identified as EU ELV compliant have a maximum concentration of 0.1% by weight in homogenous materials for lead, hexavalent chromium, and mercury, and 0.01% for cadmium, or qualify for an exemption to these limits as defined in the Annexes of Directive 2000/53/EC (ELV). Regarding the REACH Regulation, the information TE provides on SVHC in articles for this part number is based on the latest European Chemicals Agency (ECHA) 'Guidance on requirements for substances in articles' posted at this URL: <https://echa.europa.eu/guidance-documents/guidance-on-reach>

## Compatible Parts



TE Part # 6450830-1  
MBXL R/A HDR 2LP + 8S + 2LP

## Customers Also Bought



TE Part #2-1903328-2  
DYNAMIC 4200S HDR ASSY H 2P Y



TE Part #1717412-3  
DYNAMIC D-3100D H-HDR ASSY 8P  
Au 0.76



TE Part #1-2286917-5  
3POS,HVP800,180 DEG,50 SQMM,  
COD A,CS



TE Part #1-6450831-6  
MBXLE R/A HDR 16S+10P



TE Part #4-2325013-1  
HVP800 3P HEADER ASSY,V0



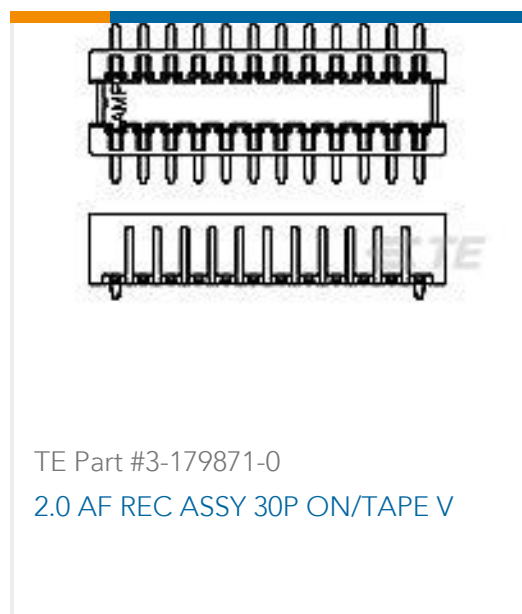
TE Part #6450832-1  
MBXLE R/A HEADER 10HDP+32S



TE Part #7-147424-2  
44 MODII VRT DR CE .100 X .100



TE Part #7-102617-0  
44 MODII HDR DRRA SHRD LF



## Documents

### Product Drawings

[MBXL R/A HDR 2P+24S+2P](#)

English

### CAD Files

Customer View Model

[ENG\\_CVM\\_CVM\\_4-6450120-7\\_J1.2d\\_dxf.zip](#)

English

[3D PDF](#)

3D

Customer View Model

[ENG\\_CVM\\_CVM\\_4-6450120-7\\_J1.3d\\_igs.zip](#)

English

Customer View Model

[ENG\\_CVM\\_CVM\\_4-6450120-7\\_J1.3d\\_stp.zip](#)

English

By downloading the CAD file I accept and agree to the [Terms and Conditions](#) of use.

### Datasheets & Catalog Pages

[2\\_PIECE\\_POWER\\_CONNECTORS\\_qrg\\_4-1773458-1](#)

English

### Product Specifications

[Application Specification](#)

English