

4-280050-1 ✓ ACTIVE

FASTON | FASTON 250

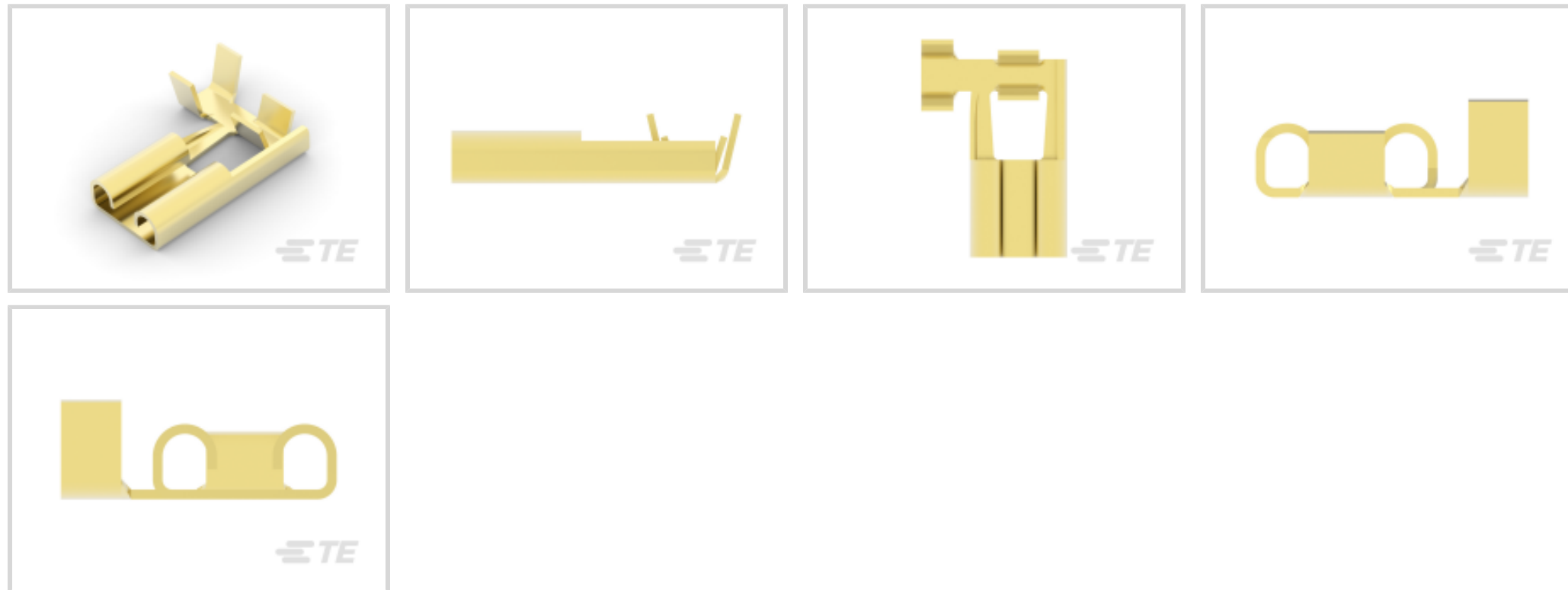
TE Internal #: 4-280050-1

FASTON 250, Quick Disconnects, Receptacle, 20 – 15AWG Wire Size, .51 – 1.65mm² Wire Size, Mating Tab Width 6.35 mm [.25 in]

[View on TE.com >](#)



Terminals & Splices > Quick Disconnects



Terminal & Splice Type: **Receptacle**

Wire Size: .51 – 1.65 mm²

Mating Tab Width: 6.35 mm [.25 in]

Mating Tab Thickness: .81 mm [.032 in]

Features

Product Type Features

Wire Stop	No
Wire/Cable Type	Regular Wire
Terminates To	Wire & Cable
Insertion Force	Normal
Sealable	No
Insulated	No

Configuration Features

Connection Capacity	Single
---------------------	--------

Body Features

Fully Insulated	No
Plating Material	Tin

Contact Features

Terminal Type	Receptacle
Terminal & Splice Type	Receptacle
Terminal Orientation	Flag



Contact Base Material	Brass
-----------------------	-------

Crimp Type	F-Crimp
------------	---------

Barrel Type	Open
-------------	------

Mechanical Attachment

Mating Retention Type	Dimple
-----------------------	--------

Wire Insulation Support	With
-------------------------	------

Dimensions

Accepts Wire Insulation Diameter Range	2.36 – 3.3 mm [.093 – .13 in]
--	-------------------------------

Overall Length	16.8 mm [.661 in]
----------------	-------------------

Receptacle Terminal Stock Thickness	.41 mm [.016 in]
-------------------------------------	------------------

Wire Size	.51 – 1.65 mm ²
-----------	----------------------------

Mating Tab Width	6.35 mm [.25 in]
------------------	------------------

Mating Tab Thickness	.81 mm [.032 in]
----------------------	------------------

Usage Conditions

Operating Temperature Range	-40 – 110 °C [-40 – 230 °F]
-----------------------------	-----------------------------

Industry Standards

UL Rating	Recognized
-----------	------------

Packaging Features

Packaging Quantity	7000
--------------------	------

Packaging Method	Strip/Reel
------------------	------------

Product Compliance

[For compliance documentation, visit the product page on TE.com>](#)

EU RoHS Directive 2011/65/EU	Compliant
------------------------------	-----------

EU ELV Directive 2000/53/EC	Compliant
-----------------------------	-----------

China RoHS 2 Directive MIIT Order No 32, 2016	No Restricted Materials Above Threshold
---	---

EU REACH Regulation (EC) No. 1907/2006	Current ECHA Candidate List: JUN 2020 (209) Candidate List Declared Against: JAN 2020 (205) Does not contain REACH SVHC
--	---

Halogen Content	Low Halogen - Br, Cl, F, I < 900 ppm per homogenous material. Also BFR/CFR/PVC Free
-----------------	---

Solder Process Capability

Not applicable for solder process capability

Product Compliance Disclaimer

This information is provided based on reasonable inquiry of our suppliers and represents our current actual knowledge based on the information they provided. This information is subject to change. The part numbers that TE has identified as EU RoHS compliant have a maximum concentration of 0.1% by weight in homogenous materials for lead, hexavalent chromium, mercury, PBB, PBDE, DBP, BBP, DEHP, DIBP, and 0.01% for cadmium, or qualify for an exemption to these limits as defined in the Annexes of Directive 2011/65/EU (RoHS2). Finished electrical and electronic equipment products will be CE marked as required by Directive 2011/65/EU. Components may not be CE marked. Additionally, the part numbers that TE has identified as EU ELV compliant have a maximum concentration of 0.1% by weight in homogenous materials for lead, hexavalent chromium, and mercury, and 0.01% for cadmium, or qualify for an exemption to these limits as defined in the Annexes of Directive 2000/53/EC (ELV). Regarding the REACH Regulation, the information TE provides on SVHC in articles for this part number is based on the latest European Chemicals Agency (ECHA) 'Guidance on requirements for substances in articles' posted at this URL: <https://echa.europa.eu/guidance-documents/guidance-on-reach>

Compatible Parts



TE Model / Part # 2133857-1
FASTON .250 (6.3 MM) HOUSING REC




TE Model / Part # 1855420-3
HDM w/FA SMPR100F140F G (CUT)



TE Model / Part # 2-2836223-2
OCEAN_2.0_Applicator-S-100F140F



TE Model / Part # 2836223-2
OCEAN_2.0_Applicator-S-100F140F




KIT
REPRESENTATION ONLY

TE Model / Part # 7-2836223-7
OCEAN_2.0_SPARE_PART_KIT-100F140F


TE Model / Part # 2133857-4
HSG FLAG 250 SRS REC W/ COVER

TE Model / Part # 2838223-1
5-Lead,IEC,Snap,24"

Also in the Series | FASTON 250




Compression Connectors(4)



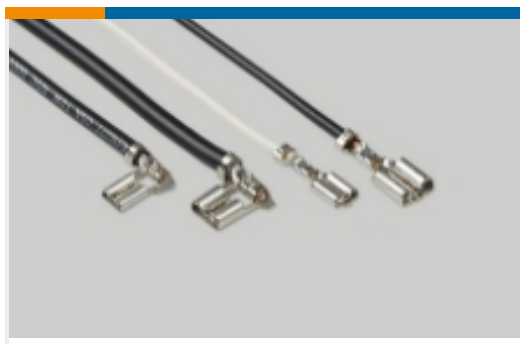
Crimp Terminal Housings(135)



Magnet Wire Terminals(1)



PCB Terminals(142)

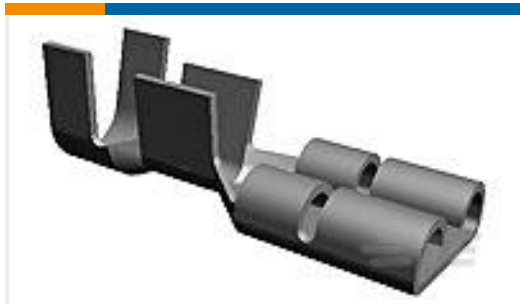


Quick Disconnects(461)



Splices(4)

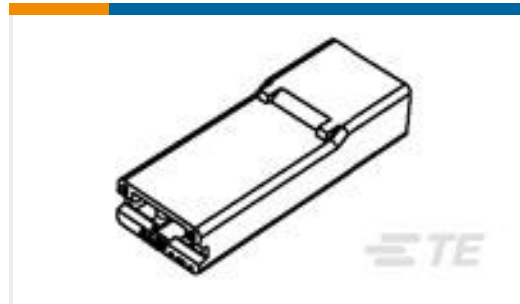
Customers Also Bought



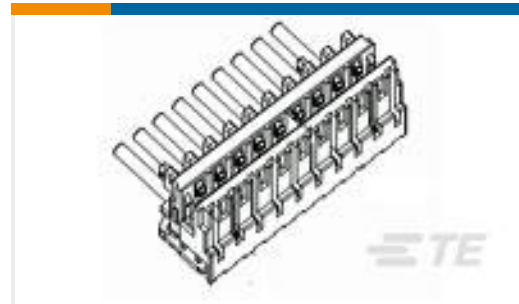
TE Model / Part #444334-3
FASTON 250 REC 0.3-0.8 MM2 0.40 X18.54 BR



TE Model / Part #CP4925-000
ES2000-NO.3-B8-0-60MM-SH



TE Model / Part #1-735075-1
FASTON .258 SERIES (6.35 MM)



TE Model / Part #9-1740154-3
DUOPLUG MKII FEMALE HSG WITH PCB LOCKING



TE Model / Part #880629-1
RING TONGUE 0.5-1.0 MM2 0.60 X 13.23 BR



TE Model / Part #881339-2
SLEEVE FASTON 250 TAB NATURAL PA.6.6 V.0



TE Model / Part #2029387-1
04P UMNL SHORT LATCH PLUG V0



TE Model / Part #880682-1
FASTON 250 PIGGY-BACK REC 0.5-1.0 MM2 BR



TE Model / Part #626041-1
FASTON .110 RECEPTACLE 0.5 /1.5 MM2 BR



TE Model / Part #1-880488-4
FASTON 187 HOUSING RECEPTACLE

Documents

Product Drawings

[FASTON 250 FLAG 0.5-1.5MM BR](#)

English

CAD Files

[3D PDF](#)

[3D](#)

Customer View Model

[ENG_CVM_CVM_4-280050-1_BE.2d_dxf.zip](#)



English

Customer View Model

[ENG_CVM_CVM_4-280050-1_BE.3d_igs.zip](#)

English

Customer View Model

[ENG_CVM_CVM_4-280050-1_BE.3d_stp.zip](#)

English

By downloading the CAD file I accept and agree to the [Terms and Conditions](#) of use.

Product Specifications

[FASTON & FASTIN-FASTON conn. .250 srs. flag rec. ctc.](#)

[Application Specification](#)

Product Environmental Compliance

[TE Material Declaration](#)

English

Agency Approvals

[UL Report](#)

English