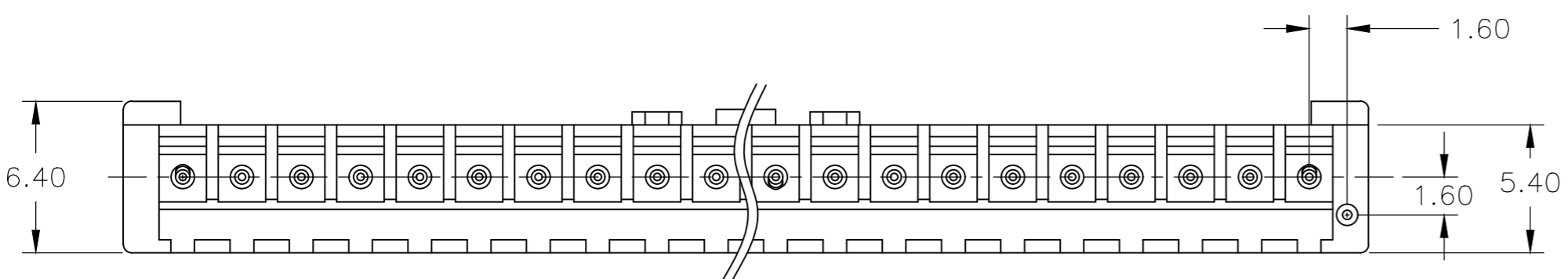
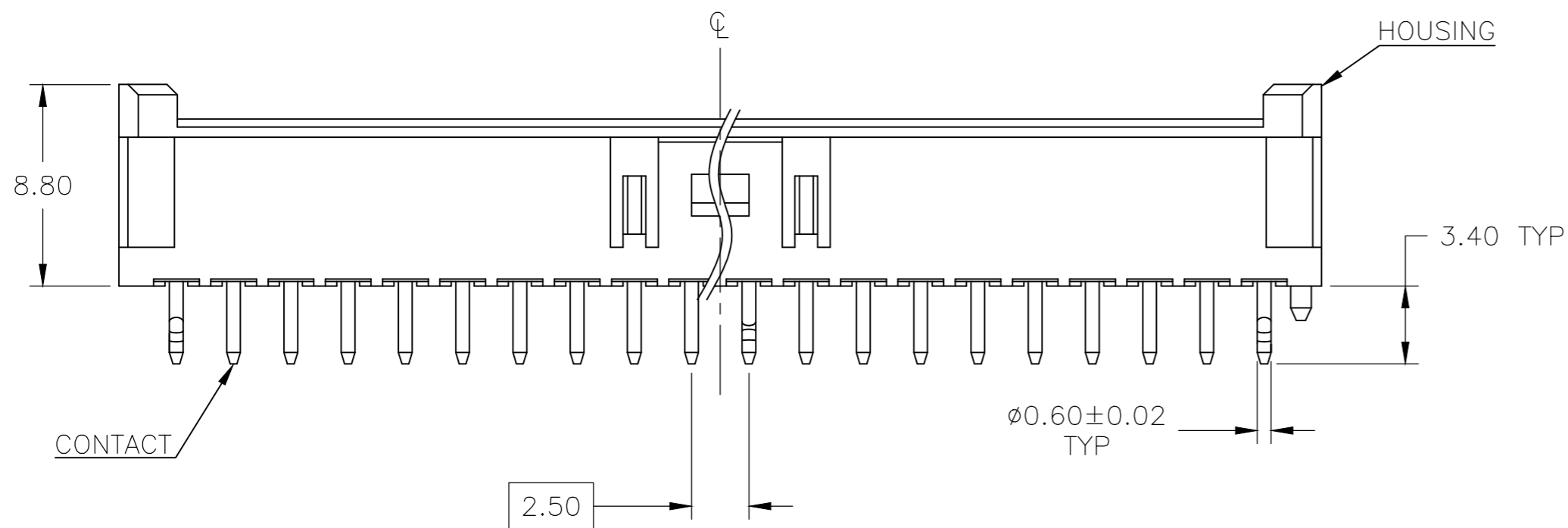
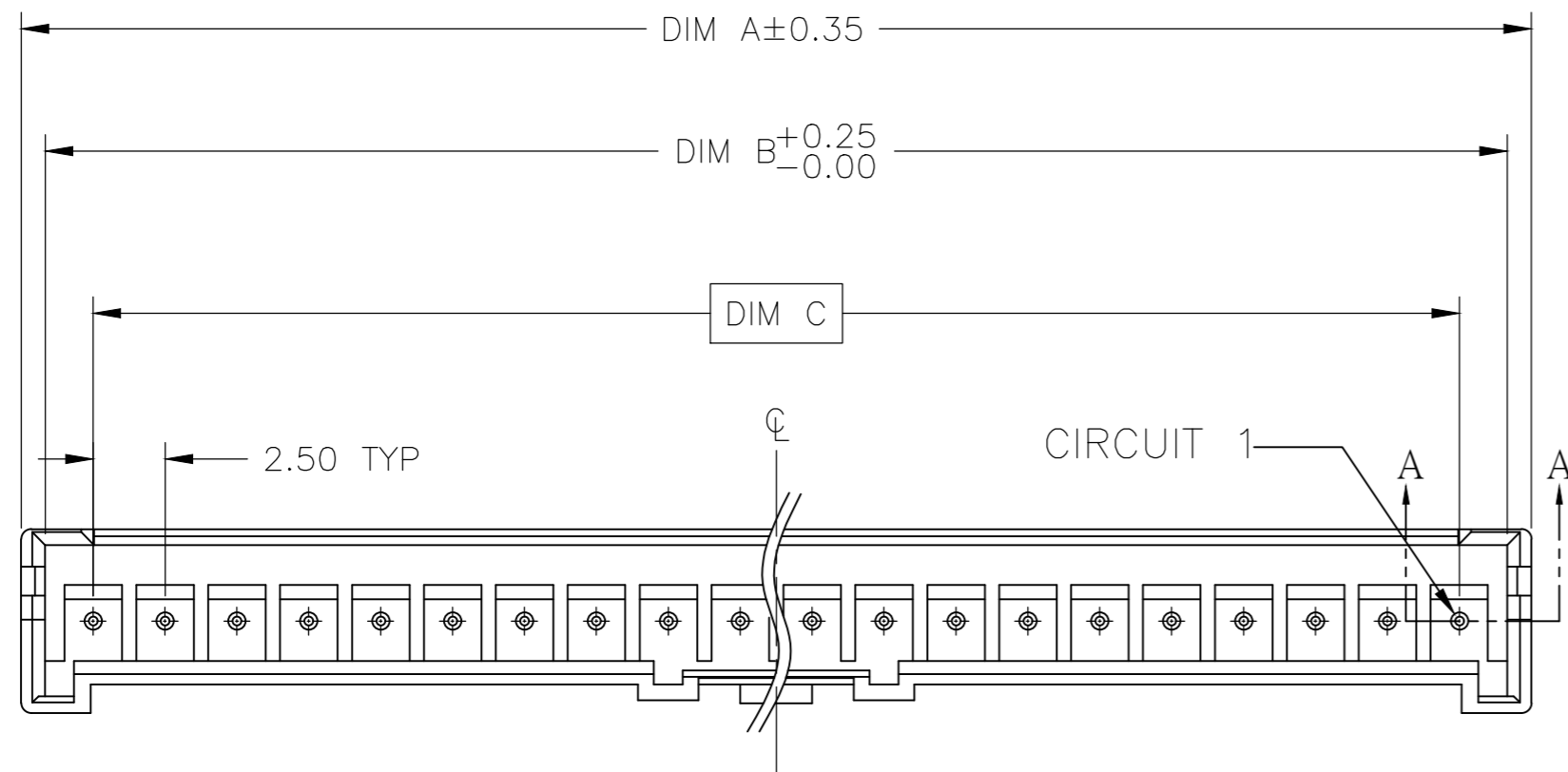
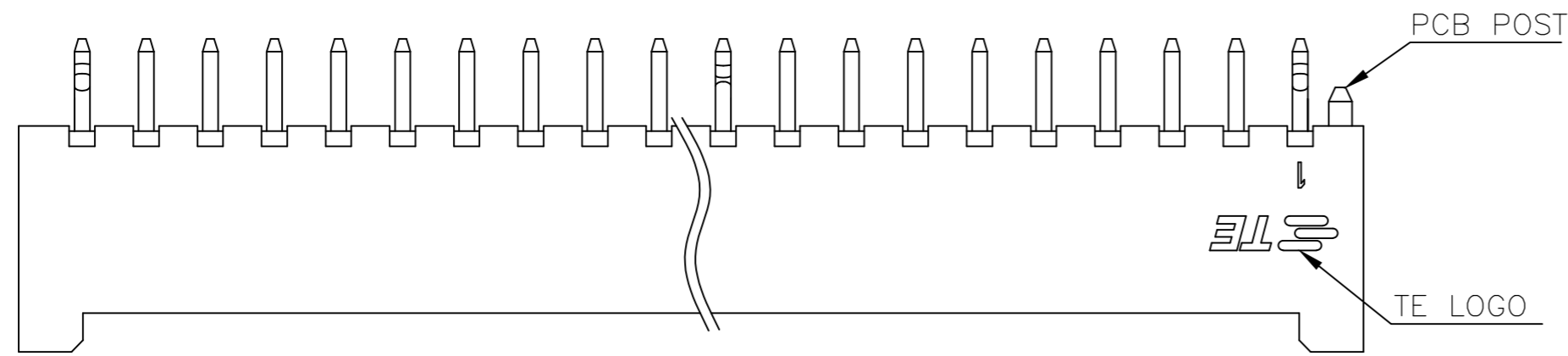
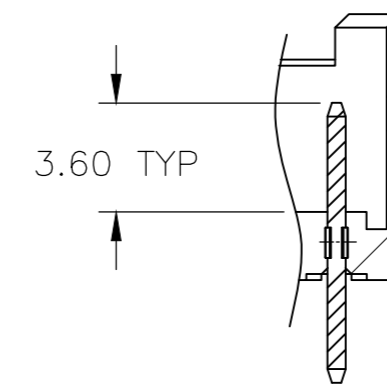


THIS DRAWING IS UNPUBLISHED. RELEASED FOR PUBLICATION
 © COPYRIGHT - By - ALL RIGHTS RESERVED.

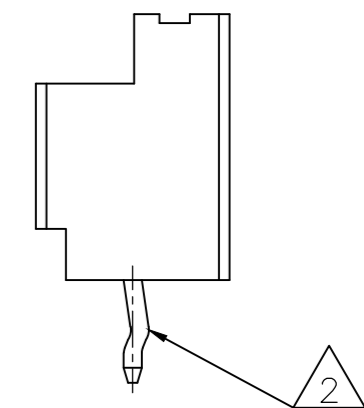
REVISIONS					
P	LTR	DESCRIPTION	DATE	DWN	APVD
A		FIRST RELEASED	25SEP2019	WH	DZ



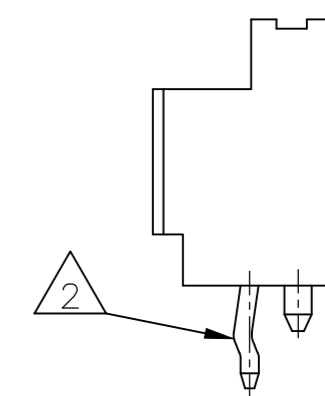
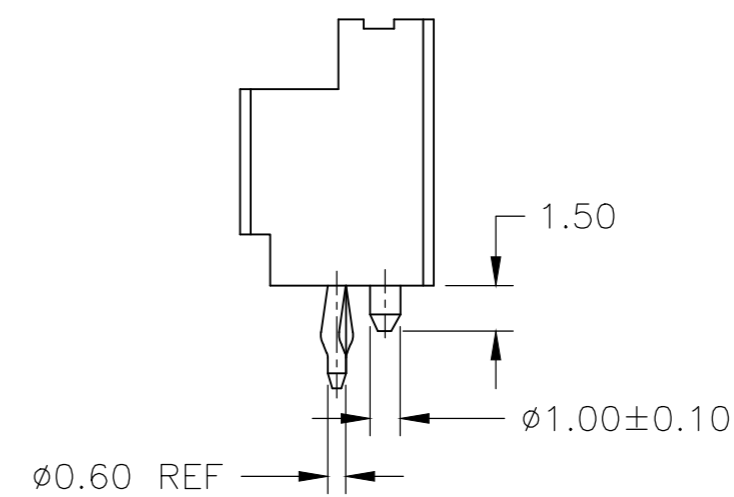
- 1 MATERIAL: HOUSING: PBT, UL94 V-0, TERMINAL: BRASS, NICKEL UNDER PLATING, Tin PLATING ON PIN AREA.
- 2 CONTACT SOLDER TAIL KINK DIRECTION (BOARLOCK) SEE BELOW TABLE.
- 3 RECOMMENDED MATING PART: []-2338183-[]
- 4 DIMENSIONS SHOWN REPRESENT PRODUCT IN DRY, AS MOLDED, CONDITION. ADDITIONAL 2% GROWTH DUE TO SUBSEQUENT MOISTURE



SECTION A-A



MIDDLE

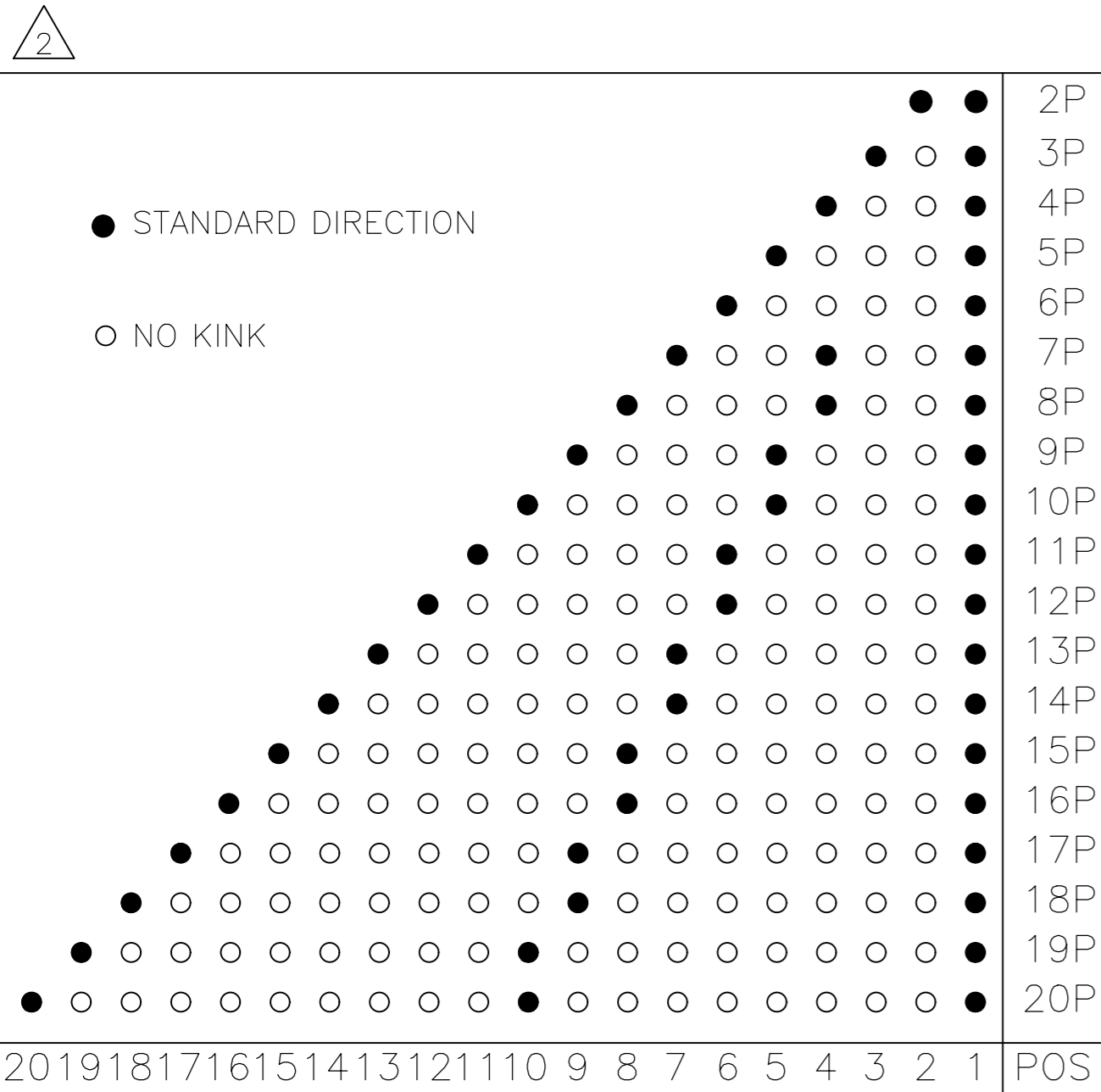
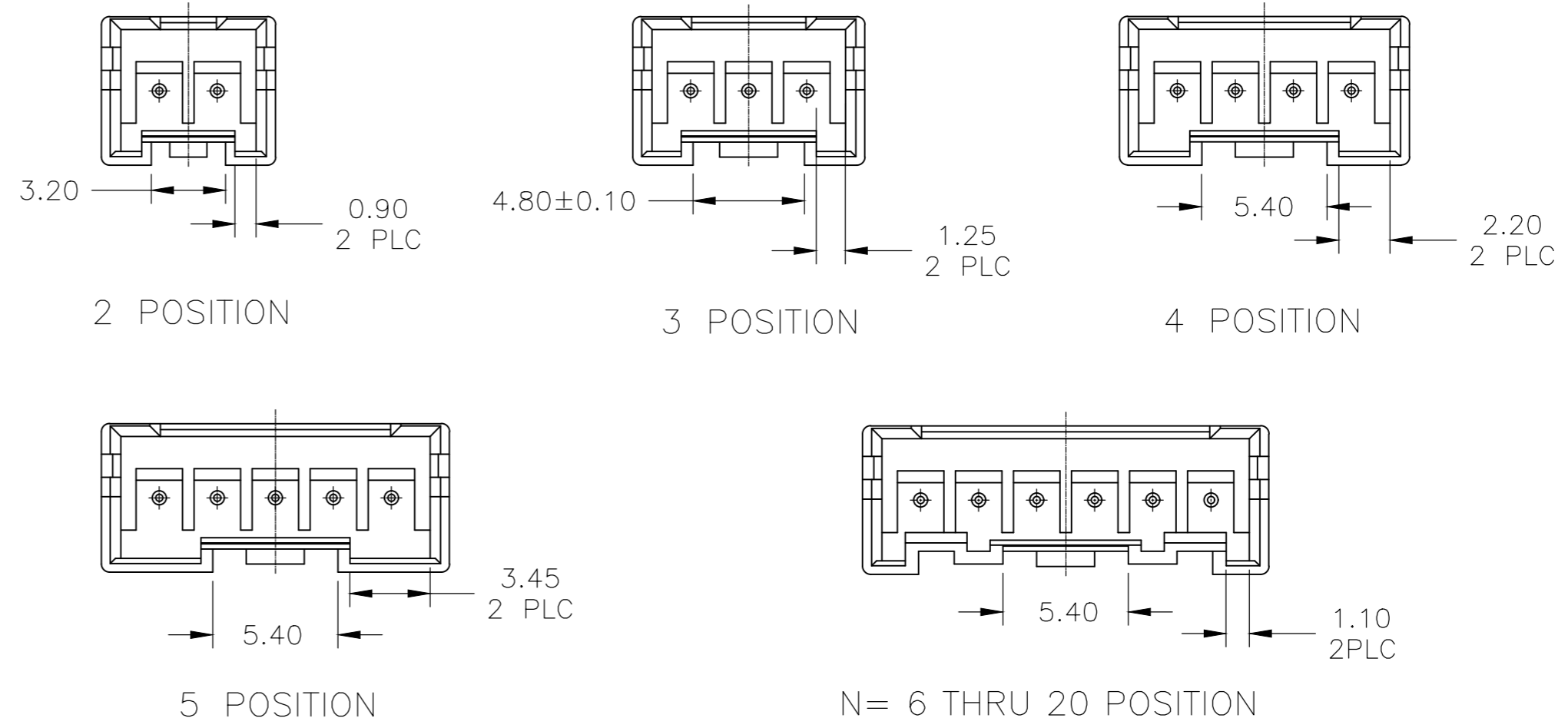
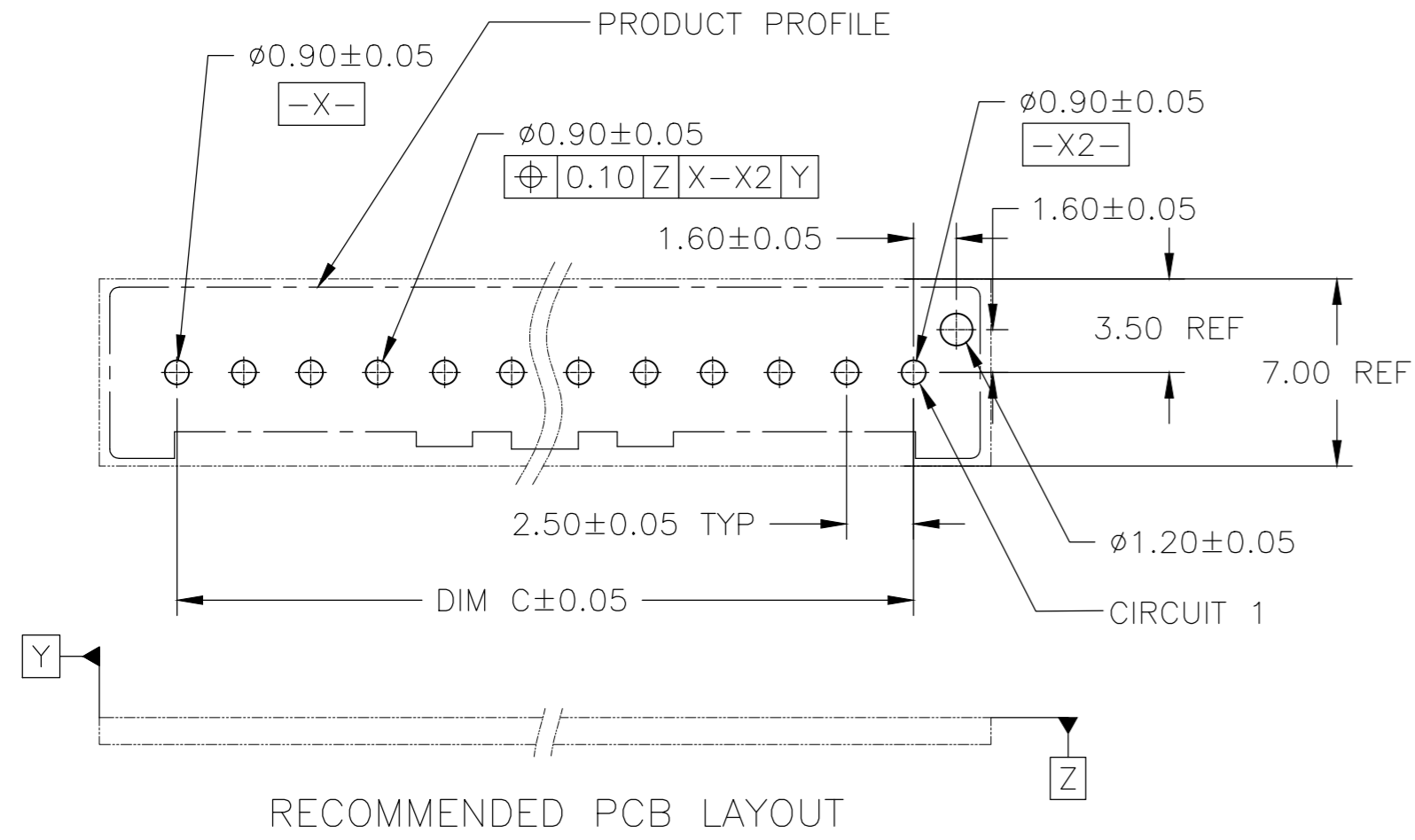


SIDE

THIS DRAWING IS A CONTROLLED DOCUMENT.		DWN WARREN HUO 22OCT18			
DIMENSIONS: mm		CHK DANIEL ZHANG 25OCT18			
TOLERANCES UNLESS OTHERWISE SPECIFIED:		APVD DANIEL ZHANG 25OCT18	NAME		
0 PLC ± -		PRODUCT SPEC		108-2418	
1 PLC ± -		APPLICATION SPEC		114-13315	
2 PLC ± 0.20		WEIGHT		-	
3 PLC ± -		MATERIAL		A2 00779 C=2338245	
4 PLC ± -		FINISH		1	
ANGLES ± 3°		CUSTOMER DRAWING		SCALE N/A SHEET 1 OF 2 REV A	

THIS DRAWING IS UNPUBLISHED. RELEASED FOR PUBLICATION
 © COPYRIGHT - By - ALL RIGHTS RESERVED.

REVISIONS					
P	LTR	DESCRIPTION	DATE	DWN	APVD
-	-	SEE SHEET 1	-	-	-



47.50	50.83	52.50	20	2-2338245-0	4-2338245-0	6-2338245-0	8-2338245-0	2338245-1
45.00	48.33	50.00	19	1-2338245-9	3-2338245-9	5-2338245-9	7-2338245-9	9-2338245-9
42.50	45.83	47.50	18	1-2338245-8	3-2338245-8	5-2338245-8	7-2338245-8	9-2338245-8
40.00	43.33	45.00	17	1-2338245-7	3-2338245-7	5-2338245-7	7-2338245-7	9-2338245-7
37.50	40.83	42.50	16	1-2338245-6	3-2338245-6	5-2338245-6	7-2338245-6	9-2338245-6
35.00	38.33	40.00	15	1-2338245-5	3-2338245-5	5-2338245-5	7-2338245-5	9-2338245-5
32.50	35.83	37.50	14	1-2338245-4	3-2338245-4	5-2338245-4	7-2338245-4	9-2338245-4
30.00	33.33	35.00	13	1-2338245-3	3-2338245-3	5-2338245-3	7-2338245-3	9-2338245-3
27.50	30.83	32.50	12	1-2338245-2	3-2338245-2	5-2338245-2	7-2338245-2	9-2338245-2
25.00	28.33	30.00	11	1-2338245-1	3-2338245-1	5-2338245-1	7-2338245-1	9-2338245-1
22.50	25.83	27.50	10	1-2338245-0	3-2338245-0	5-2338245-0	7-2338245-0	9-2338245-0
20.00	23.33	25.00	9	2338245-9	2-2338245-9	4-2338245-9	6-2338245-9	8-2338245-9
17.50	20.83	22.50	8	2338245-8	2-2338245-8	4-2338245-8	6-2338245-8	8-2338245-8
15.00	18.33	20.00	7	2338245-7	2-2338245-7	4-2338245-7	6-2338245-7	8-2338245-7
12.50	15.83	17.50	6	2338245-6	2-2338245-6	4-2338245-6	6-2338245-6	8-2338245-6
10.00	13.33	15.00	5	2338245-5	2-2338245-5	4-2338245-5	6-2338245-5	8-2338245-5
7.50	10.83	12.50	4	2338245-4	2-2338245-4	4-2338245-4	6-2338245-4	8-2338245-4
5.00	8.33	10.00	3	2338245-3	2-2338245-3	4-2338245-3	6-2338245-3	8-2338245-3
2.50	5.83	7.50	2	2338245-2	2-2338245-2	4-2338245-2	6-2338245-2	8-2338245-2
DIM C	DIM B	DIM A	POS	PART NO (RED COLOR)	PART NO (BLUE COLOR)	PART NO (BLACK COLOR)	PART NO (YELLOW COLOR)	PART NO (GREEN COLOR)

THIS DRAWING IS A CONTROLLED DOCUMENT.

DWN WARREN HUO 22OCT18
 CHK DANIEL ZHANG 25OCT18
 APVD DANIEL ZHANG 25OCT18

NAME: DANIEL ZHANG

PRODUCT SPEC: 108-2418
 APPLICATION SPEC: 114-13315

SIZE: A2 CAGE CODE: 00779 DRAWING NO: C=2338245 RESTRICTED TO: -

SCALE: N/A SHEET: 2 OF 2 REV: A

CUSTOMER DRAWING