

EET-1336P-4 ✓ ACTIVE

TE Internal #: 4-1768018-8

Standard Labels, Width 36 mm [1.417 in], Height 12.7 mm [.5 in],
Yellow, Polyester, Label Thickness 50 Micron

[View on TE.com >](#)



Identification & Labeling > Labels > Standard Labels



Label Type: **Blank Labels**

Label Style: **Die-Cut**

Label Adhesive Type: **Permanent**

Product Width: **36 mm [1.417 in]**

Length of Label Roll: **79.5 m [260.82 ft]**

Features

Product Type Features

Label Type	Blank Labels
------------	--------------

Body Features

Primary Product Color	Yellow
Primary Product Material	Polyester

Dimensions

Product Width	36 mm[1.417 in]
Product Height	12.7 mm[.5 in]

Usage Conditions

Operating Temperature Range	-40 - 110 °C[-40 - 230 °F]
-----------------------------	----------------------------

Printer/Label Features

Printer Technology	Thermal Transfer
Label Style	Die-Cut
Length of Label Roll	79.5 m[260.82 ft]
Label Thickness	50 Micron

Packaging Features

Packaging Quantity	10000
--------------------	-------

Other

Label Adhesive Type	Permanent
---------------------	-----------



Product Compliance

For compliance documentation, visit the product page on [TE.com](#)>

EU RoHS Directive 2011/65/EU	Compliant
EU ELV Directive 2000/53/EC	Compliant
China RoHS 2 Directive MIIT Order No 32, 2016	No Restricted Materials Above Threshold
EU REACH Regulation (EC) No. 1907/2006	Current ECHA Candidate List: JAN 2024 (240) Candidate List Declared Against: JUNE 2023 (235) Does not contain REACH SVHC
Halogen Content	Low Halogen - Br, Cl, F, I < 900 ppm per homogenous material. Also BFR/CFR/PVC Free
Solder Process Capability	Not applicable for solder process capability

Product Compliance Disclaimer

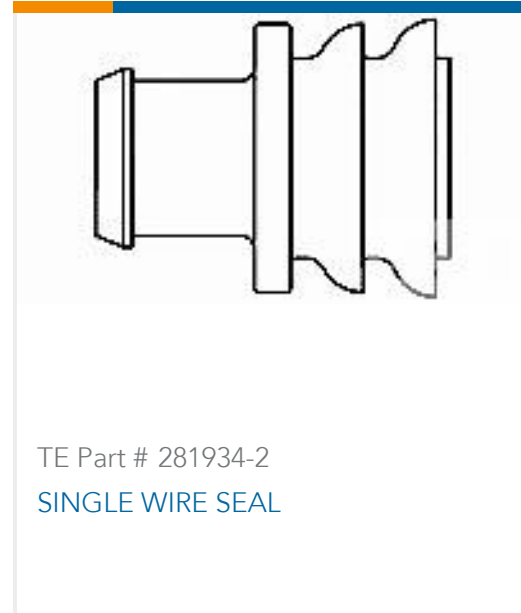
This information is provided based on reasonable inquiry of our suppliers and represents our current actual knowledge based on the information they provided. This information is subject to change. The part numbers that TE has identified as EU RoHS compliant have a maximum concentration of 0.1% by weight in homogenous materials for lead, hexavalent chromium, mercury, PBB, PBDE, DBP, BBP, DEHP, DIBP, and 0.01% for cadmium, or qualify for an exemption to these limits as defined in the Annexes of Directive 2011/65/EU (RoHS2). Finished electrical and electronic equipment products will be CE marked as required by Directive 2011/65/EU. Components may not be CE marked. Additionally, the part numbers that TE has identified as EU ELV compliant have a maximum concentration of 0.1% by weight in homogenous materials for lead, hexavalent chromium, and mercury, and 0.01% for cadmium, or qualify for an exemption to these limits as defined in the Annexes of Directive 2000/53/EC (ELV). Regarding the REACH Regulation, the information TE provides on SVHC in articles for this part number is based on the latest European Chemicals Agency (ECHA) 'Guidance on requirements for substances in articles' posted at this URL: <https://echa.europa.eu/guidance-documents/guidance-on-reach>

Compatible Parts



TE Part # 4-1768018-2
EET-1325P-4

Customers Also Bought



Documents

Product Drawings

[EET-1336P-4](#)

English

Datasheets & Catalog Pages

[EET Technical Datasheet](#)

English

Product Specifications

[IDENTIFICATION PRINTER PRODUCT RIBBON MATRIX](#)

English