

4-175638-6 ✓ ACTIVE

TE Internal #: 4-175638-6

PCB Mount Receptacle, Vertical, Board-to-Board, 16 Position, 1.25 mm [.049 in] Centerline, Tin, Surface Mount, Signal, Black, Bag

[View on TE.com >](#)



Connectors > PCB Connectors > PCB Headers & Receptacles



PCB Connector Assembly Type: **PCB Mount Receptacle**

PCB Mount Orientation: **Vertical**

Connector System: **Board-to-Board**

Number of Positions: **16**

Number of Rows: **2**

Features

Product Type Features

PCB Connector Assembly Type	PCB Mount Receptacle
Connector System	Board-to-Board
Sealable	No
Connector & Contact Terminates To	Printed Circuit Board

Configuration Features

PCB Mount Orientation	Vertical
Number of Positions	16
Number of Rows	2

Electrical Characteristics

Operating Voltage	50 VAC
-------------------	--------

Body Features

Primary Product Color	Black
-----------------------	-------

Contact Features

Contact Layout	Matrix
Mating Pin Diameter	.5 mm [.02 in]



Contact Underplating Material	Nickel
Contact Mating Area Plating Material	Tin
Contact Mating Area Plating Material Thickness	3 µm[118.11 µin]
Contact Type	Receptacle
Contact Current Rating (Max)	.5 A

Termination Features

Rectangular Termination Post & Tail Thickness	.3 mm[.012 in]
Rectangular Termination Post & Tail Width	1.8 mm[.07 in]
Termination Method to Printed Circuit Board	Surface Mount

Mechanical Attachment

PCB Mount Alignment Type	Boss
Mating Alignment	With
Mating Alignment Type	Polarized
PCB Mount Retention	Without
PCB Mount Alignment	With
Connector Mounting Type	Board Mount

Housing Features

Mating Entry Location	Top
Centerline (Pitch)	1.25 mm[.049 in]
Housing Material	Polyphenylene Sulfide (PPS)

Dimensions

Connector Length	10.65 mm[.419 in]
Connector Height	3.4 mm[.133 in]
Connector Width	4.05 mm[.159 in]
Row-to-Row Spacing	1.25 mm[.049 in]
PCB Thickness (Recommended)	.6 mm[.023 in]

Usage Conditions

Operating Temperature Range	-30 – 105 °C[-22 – 221 °F]
-----------------------------	----------------------------

Operation/Application

Circuit Application	Signal
---------------------	--------

Industry Standards

UL Flammability Rating	UL 94V-0
------------------------	----------



Packaging Features

Packaging Method	Bag
------------------	-----

Product Compliance

[For compliance documentation, visit the product page on TE.com>](#)

EU RoHS Directive 2011/65/EU	Compliant
EU ELV Directive 2000/53/EC	Compliant
China RoHS 2 Directive MIIT Order No 32, 2016	No Restricted Materials Above Threshold
EU REACH Regulation (EC) No. 1907/2006	Current ECHA Candidate List: JUNE 2023 (235) Candidate List Declared Against: JUN 2018 (191) Does not contain REACH SVHC
Halogen Content	Low Halogen - Br, Cl, F, I < 900 ppm per homogenous material. Also BFR/CFR/PVC Free
Solder Process Capability	Reflow solder capable to 245°C

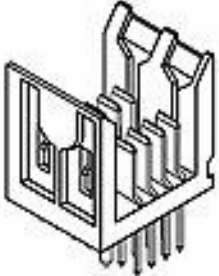
Product Compliance Disclaimer

This information is provided based on reasonable inquiry of our suppliers and represents our current actual knowledge based on the information they provided. This information is subject to change. The part numbers that TE has identified as EU RoHS compliant have a maximum concentration of 0.1% by weight in homogenous materials for lead, hexavalent chromium, mercury, PBB, PBDE, DBP, BBP, DEHP, DIBP, and 0.01% for cadmium, or qualify for an exemption to these limits as defined in the Annexes of Directive 2011/65/EU (RoHS2). Finished electrical and electronic equipment products will be CE marked as required by Directive 2011/65/EU. Components may not be CE marked. Additionally, the part numbers that TE has identified as EU ELV compliant have a maximum concentration of 0.1% by weight in homogenous materials for lead, hexavalent chromium, and mercury, and 0.01% for cadmium, or qualify for an exemption to these limits as defined in the Annexes of Directive 2000/53/EC (ELV). Regarding the REACH Regulation, the information TE provides on SVHC in articles for this part number is based on the latest European Chemicals Agency (ECHA) 'Guidance on requirements for substances in articles' posted at this URL: <https://echa.europa.eu/guidance-documents/guidance-on-reach>

Customers Also Bought



TE Part #2-2170747-6
CAGE ASSY, 1X4, QSFP28, SPRING, HS, LP



TE Part #5536623-1
2MMFB,ASY,008,PWR,HDR,SL,4.25



TE Part #2-2170808-6
QSFP28, 1X2, CAGE ASSY, SPRING, HS, LP



TE Part #646478-7
2MM H.M., "A" SHROUD, 4.9MM



Documents

Product Drawings

1.25FP,R16,DL,B,N,TR

English

CAD Files

3D PDF

3D

Customer View Model

[ENG_CVM_CVM_4-175638-6_F.2d_dxf.zip](#)

English

Customer View Model

[ENG_CVM_CVM_4-175638-6_F.3d_igs.zip](#)

English

Customer View Model

[ENG_CVM_CVM_4-175638-6_F.3d_stp.zip](#)

English

By downloading the CAD file I accept and agree to the [Terms and Conditions](#) of use.

Product Specifications

AMP 1.25mm F-P Connector (Board To Board)

Japanese

[Product Specification](#)

Japanese