



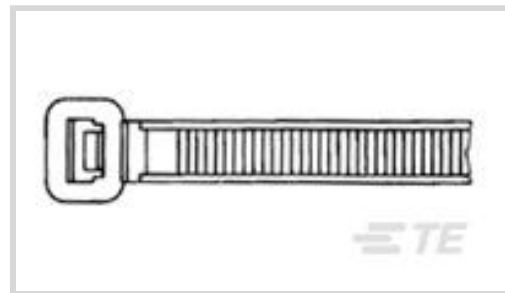
AMP-TY

TE Internal #: 4-160967-1

TE Internal Description: CABLE TY 98X2.5 NAT

[View on TE.com >](#)

Wire & Cable > Wire & Cable Accessories > Cable Ties



Cable Tie Style: **Standard**

Packaging Method: **Bag**

Tensile Strength: **82 Newton**

Product Length: **98 mm [3.9 in]**

Features

Product Type Features

Cable Tie Style	Standard
Tensile Strength	82 Newton

Body Features

Primary Product Color	Natural
Primary Product Material	Polyamide 6.6 GF

Dimensions

Compatible Cable Bundle Diameter Range	21 mm[.82 in]
Product Length	98 mm[3.9 in]
Product Width	2.5 mm[.098 in]
Product Thickness	1 mm[.039 in]

Packaging Features

Packaging Method	Bag
Packaging Quantity	1000

Product Compliance

[For compliance documentation, visit the product page on TE.com>](#)

EU RoHS Directive 2011/65/EU	Compliant
EU ELV Directive 2000/53/EC	Compliant
China RoHS 2 Directive MIIT Order No 32, 2016	No Restricted Materials Above Threshold
EU REACH Regulation (EC) No. 1907/2006	

Current ECHA Candidate List: JUNE 2024
(241)

Candidate List Declared Against: JAN 2020
(205)

Does not contain REACH SVHC

Halogen Content

Not Low Halogen - contains Br or Cl > 900 ppm.

Solder Process Capability

Not applicable for solder process capability

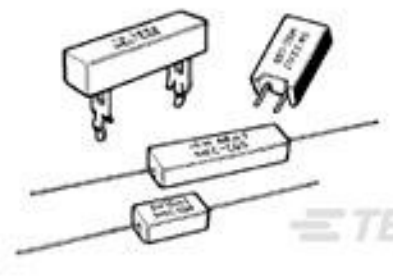
Product Compliance Disclaimer

This information is provided based on reasonable inquiry of our suppliers and represents our current actual knowledge based on the information they provided. This information is subject to change. The part numbers that TE has identified as EU RoHS compliant have a maximum concentration of 0.1% by weight in homogenous materials for lead, hexavalent chromium, mercury, PBB, PBDE, DBP, BBP, DEHP, DIBP, and 0.01% for cadmium, or qualify for an exemption to these limits as defined in the Annexes of Directive 2011/65/EU (RoHS2). Finished electrical and electronic equipment products will be CE marked as required by Directive 2011/65/EU. Components may not be CE marked. Additionally, the part numbers that TE has identified as EU ELV compliant have a maximum concentration of 0.1% by weight in homogenous materials for lead, hexavalent chromium, and mercury, and 0.01% for cadmium, or qualify for an exemption to these limits as defined in the Annexes of Directive 2000/53/EC (ELV). Regarding the REACH Regulation, the information TE provides on SVHC in articles for this part number is based on the latest European Chemicals Agency (ECHA) 'Guidance on requirements for substances in articles' posted at this URL: <https://echa.europa.eu/guidance-documents/guidance-on-reach>

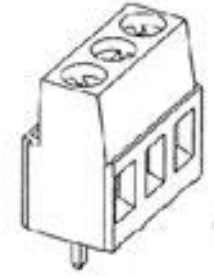
Customers Also Bought



TE Part #3-1623730-4
BCHE 4 W 510R 5%



TE Part #2-1623789-7
SQM7 1R8 5% (WIRE)



TE Part #282858-8
8P. TERMI-BLOK PCB MOUNT 90



TE Part #1-2176406-8
3560 5R1 1%



TE Part #5-2176349-8
CRGCO 2512 560K 1%



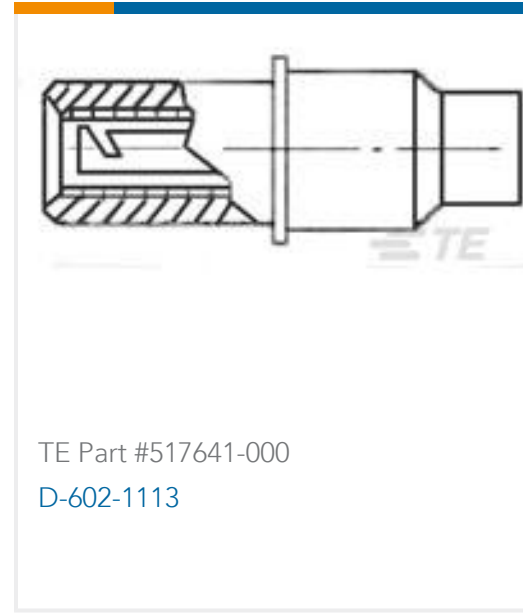
TE Part #7-1879350-6
RR01 5% 300R AMMO



TE Part #2-1423675-0
W57-XB2A99C10-5=CKTBKR,THERM,P



TE Part #3-1969541-2
RETAINER, TPA, DUAL ROW, EP2.5



Documents

Product Drawings

CABLE TY 98X2.5 NAT

English