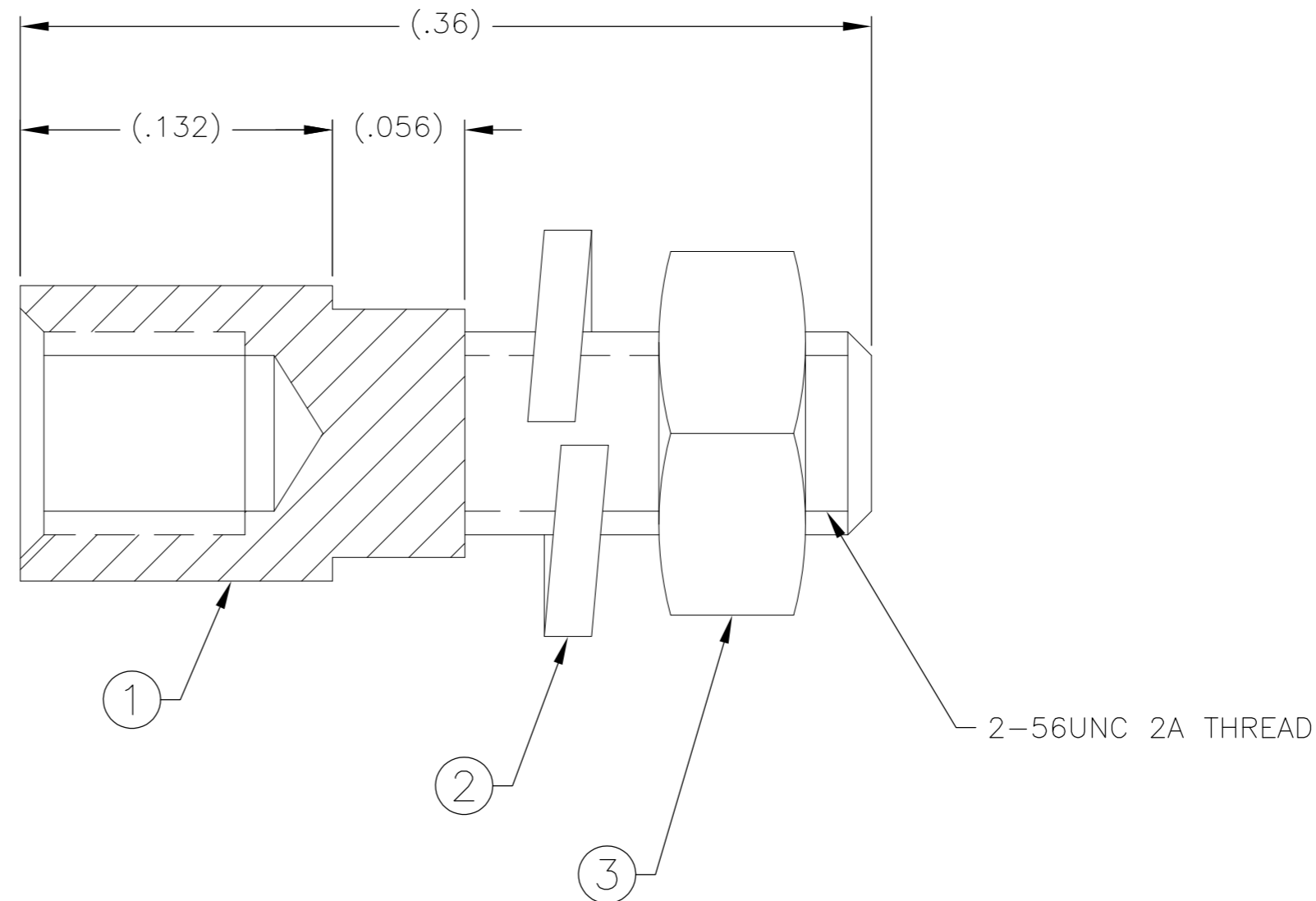
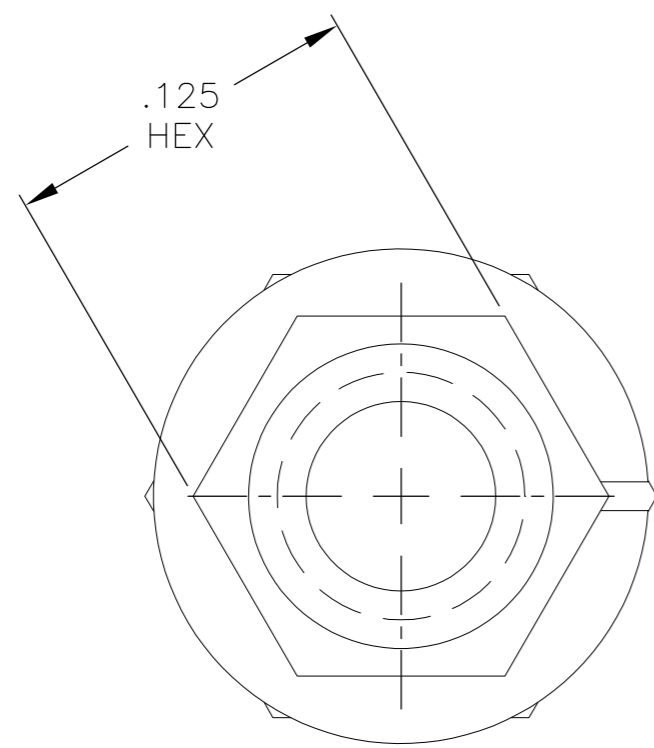


THIS DRAWING IS UNPUBLISHED. RELEASED FOR PUBLICATION  
 © COPYRIGHT - By - ALL RIGHTS RESERVED.

LOC		DIST		REVISIONS			
P	LTR	DESCRIPTION		DATE	DWN	APVD	
	B	UPDATE PER ECO-15-003520		5 MAR 15	CAS	CAS	



3	9-1532240-2	HEX NUT	1
2	9-1532240-3	LOCKWASHER	1
1	4-1532284-5	BUSHING, 2-56 X .360 LG, DOUBLE PASSIVATED	1
ITEM NO.	PART NUMBER	NOMENCLATURE OR DESCRIPTION	QTY

THIS DRAWING IS A CONTROLLED DOCUMENT.		DWN C SCHOLL	16 FEB 15	<b>TE</b> TE Connectivity	
DIMENSIONS: INCHES		CHK -	APVD -		
TOLERANCES UNLESS OTHERWISE SPECIFIED:		PRODUCT SPEC		JACKNUT ASSY, 2-56 X .360 LG DOUBLE PASSIVATION	
0 PLC ± -		APPLICATION SPEC		MDC 096-0002-0272	
1 PLC ± -		WEIGHT		HONEYWELL 56006637	
2 PLC ± .01		SCALE		SIZE CAGE CODE DRAWING NO	
3 PLC ± .005		CUSTOMER DRAWING		A2 98278 C-4-1532284-6	
4 PLC ± -		SCALE 15:1		SHEET 1 of 1	
ANGLES ± 2°		REV B			
FINISH					

1 MAKE FROM P/N 4-1532284-4 = 098-0027-0121 BY RE-PASSIVATING PER SAE-AMS-QQ-P-35 PER HONEYWELL SP1 QUALIFIED VENDORS LIST