



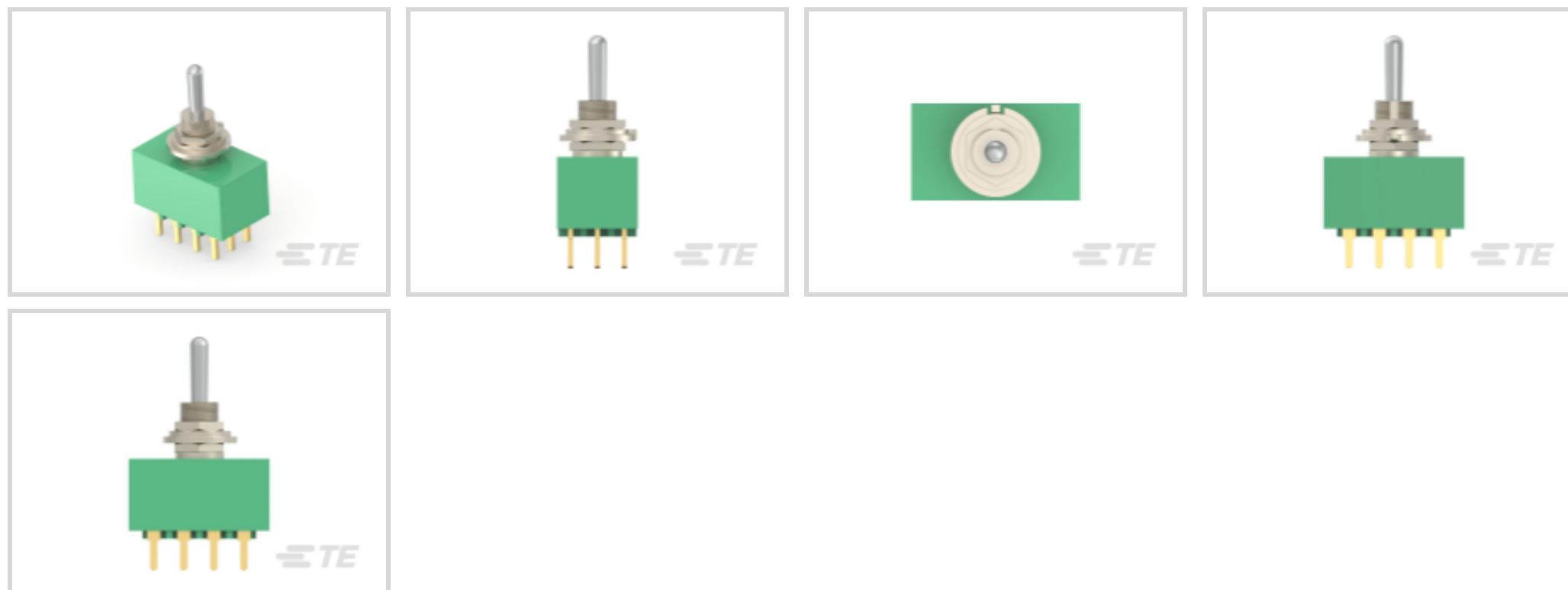
Alcoswitch

TE Internal #: 4-1437558-4

Four Pole - Double Throw Configuration (Pole-Throw), 1/4-40, Copper Alloy, Gold Flash over Silver, Baton Long, On None On, Toggle Switches

[View on TE.com >](#)

Switches > Toggle Switches



Configuration (Pole-Throw): **Four Pole - Double Throw**

Bushing Thread Size: **1/4-40**

Contact Base Material: **Copper Alloy**

Switch Contact Plating Material: **Gold Flash over Silver**

Process Sealed: **No**

Features

Product Type Features

Switch Connection Type	Printed Circuit
Sealed Device	Yes
Toggle Style	Baton Long
Switch Type	Toggle

Configuration Features

Configuration (Pole-Throw)	Four Pole - Double Throw
Operating Function	On None On

Electrical Characteristics

Dielectric Withstanding Voltage (Max)	1500 VAC
Insulation Resistance	1000 MΩ
Contact Resistance	10 mΩ
Contact Current Rating	6 A
Operating Voltage	28 VDC

Body Features



Actuator Finish	Chrome
Case Color	Green
Bushing Thread Size	1/4-40
Product Orientation	Vertical
Bushing Style	Threaded

Contact Features

Contact Base Material	Copper Alloy
Switch Contact Plating Material	Gold Flash over Silver

Termination Features

Termination Method to PCB	Through Hole - Solder
---------------------------	-----------------------

Mechanical Attachment

Product Mount Type	Panel & Printed Circuit Board
--------------------	-------------------------------

Housing Features

Process Sealed	No
----------------	----

Dimensions

Toggle Length	10.49 mm[.413 in]
---------------	-------------------

Industry Standards

UL Flammability Rating	UL 94V-0
------------------------	----------

Product Compliance

[For compliance documentation, visit the product page on TE.com>](#)

EU RoHS Directive 2011/65/EU	Not Compliant
EU ELV Directive 2000/53/EC	Compliant with Exemptions
China RoHS 2 Directive MIIT Order No 32, 2016	Restricted Materials Above Threshold
EU REACH Regulation (EC) No. 1907/2006	Current ECHA Candidate List: JUNE 2024 (241) Candidate List Declared Against: JUNE 2024 (241) SVHC > Threshold: 1,6,7,8,9,14,15,16,17,17,18,18-dodecachloropentacyclo [12.2.1.16,9.02,13.05,10]octadeca-7,15-diene (Dechlorane Plus) (6.7% in Component Part) Pb (3.7% in Component Part) <small>Article Safe Usage Statements:</small>



Do not eat, drink or smoke when using this product. Wash thoroughly after handling. Do not handle until all safety precautions have been read and understood. Recycle if possible and dispose of the article by following all applicable governmental regulations relevant to your geographic location.

Halogen Content

Not Low Halogen - contains Br or Cl > 900 ppm.

Solder Process Capability

Wave solder capable to 265°C

Product Compliance Disclaimer

This information is provided based on reasonable inquiry of our suppliers and represents our current actual knowledge based on the information they provided. This information is subject to change. The part numbers that TE has identified as EU RoHS compliant have a maximum concentration of 0.1% by weight in homogenous materials for lead, hexavalent chromium, mercury, PBB, PBDE, DBP, BBP, DEHP, DIBP, and 0.01% for cadmium, or qualify for an exemption to these limits as defined in the Annexes of Directive 2011/65/EU (RoHS2). Finished electrical and electronic equipment products will be CE marked as required by Directive 2011/65/EU. Components may not be CE marked. Additionally, the part numbers that TE has identified as EU ELV compliant have a maximum concentration of 0.1% by weight in homogenous materials for lead, hexavalent chromium, and mercury, and 0.01% for cadmium, or qualify for an exemption to these limits as defined in the Annexes of Directive 2000/53/EC (ELV). Regarding the REACH Regulation, the information TE provides on SVHC in articles for this part number is based on the latest European Chemicals Agency (ECHA) 'Guidance on requirements for substances in articles' posted at this URL: <https://echa.europa.eu/guidance-documents/guidance-on-reach>

Compatible Parts



TE Part # 2-1437558-0
MTA206N=(MSTA) SW TOG DPDT



TE Part # 1-1437558-1
MTA106DPC=(MSTA) SW TOG P/C TE



TE Part # 1-1437558-0
MTA106D=(MSTA) SWITCH TOGGLE S



TE Part # 7-1437558-2
MTE206N=(MSTE) SWITCH TOGGLE W



TE Part # 8-1437558-3
MTF106D=(MST-49) SW TOG SPDT

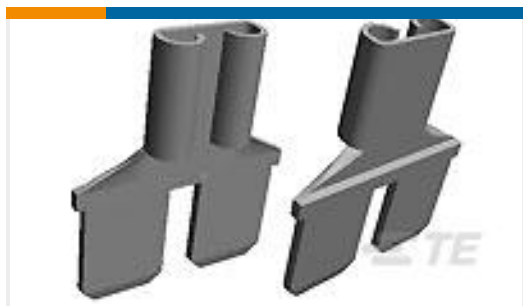
Customers Also Bought



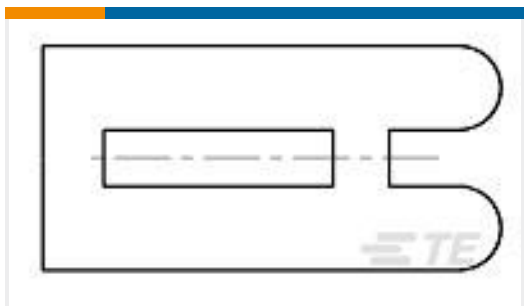
TE Part #223956-1
STV ERMZUB FUEHRUNGSBOLZEN J
* M 1 ***



TE Part #641975-1
15P UMNL PIN HDR ASSY POL NATL



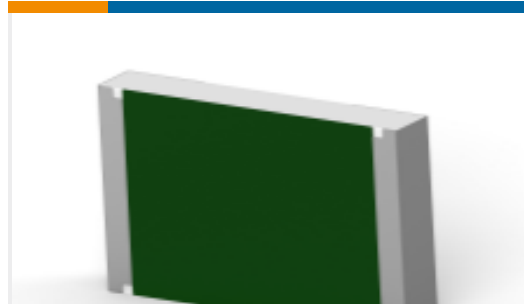
TE Part #61765-2
FASTON ADAPTER .250 REC TPBR



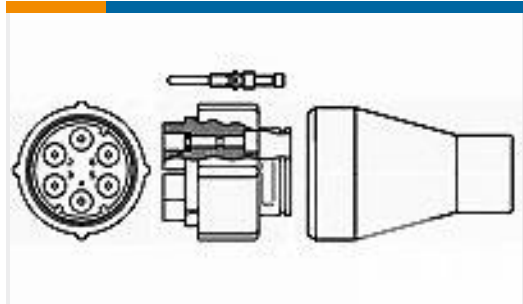
TE Part #926498-3
MOD2 KODIERSTUECK



TE Part #60770-2
RING CRIMP 18-14 AWG TPBR



TE Part #1-2176401-8
3540 68K 1%



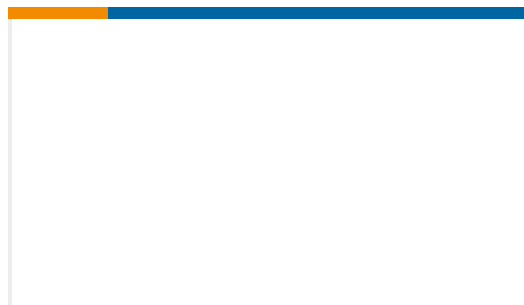
TE Part #863022-1
PLUG ASS'Y, 4 PIN



TE Part #583393-000
S1125-KIT-5



TE Part #1757824-8
AMPLIMITE,ASY,RCPT,STD,90,ZN,2,
CONT



TE Part #1SNA114776R2300
FEM61

Documents

Product Drawings

[MTA406NPC=\(MSTA\) SW TOG P/C TE](#)

English

CAD Files

Customer View Model

[ENG_CVM_CVM_4-1437558-4_F1.3d_igs.zip](#)

English

Customer View Model

[ENG_CVM_CVM_4-1437558-4_F1.3d_stp.zip](#)

English

Customer View Model

[ENG_CVM_CVM_4-1437558-4_F1.2d_dxf.zip](#)

English

[3D PDF](#)

3D

By downloading the CAD file I accept and agree to the [Terms and Conditions](#) of use.

Datasheets & Catalog Pages



[2-1773458-6_GREEN_SERIES_SWITCHES](#)

English