



Part Number : [1200845159](#)

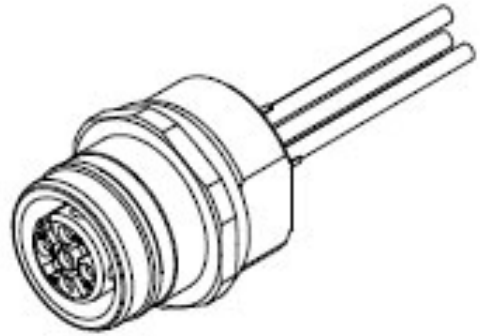
Product Description : Ultra-Lock (M12) Receptacle, 5 Poles, PG9 Mounting Threads, Female (Straight) to 0.34mm² PVC Leads, 0.30m (11.81") Length

Series Number : 120084

Status : Active

Product Category : Circular Industrial Connectors

Engineering Number : WR5J20E03C3003



Documents & Resources

Drawings

[1200845159_sd.pdf](#)

Product Environment Compliance

Compliance

GADSL/IMDS	Not Relevant
China RoHS	Not Relevant
EU ELV	Not Reviewed per 2000/53/EC
Low-Halogen Status	Not Relevant
REACH SVHC	Contains Lead; Triphenyl-phosphate; Lead monoxide per D(2024)6225-DC (07 Nov 2024)
EU RoHS	Compliant with Exemption 6(c) per EU 2015/863

Multiple Part Product Compliance Statements

- Eu RoHS
- REACH SVHC
- Low-Halogen

Multiple Part Industry Compliance Documents

- IPC 1752A Class C
- IPC 1752A Class D
- Molex Product Compliance Declaration
- IEC-62474

Part Details

General

Status	Active
Category	Circular Industrial Connectors
Series	120084
Description	Ultra-Lock (M12) Receptacle, 5 Poles, PG9 Mounting Threads, Female (Straight) to 0.34mm ² PVC Leads, 0.30m (11.81") Length
IP Rating	IP69K
NEMA Rating	NEMA 6
Product Name	Ultra-Lock (M12)
Type	Single Ended (pigtail)
UPC	884982225268

Agency

CSA	LR6837
-----	--------

Electrical

Current - Maximum per Contact	4.0A
Voltage - Maximum	60V

Physical

Coupling Type	Internal Thread
Gender	Female
Keyway	Single
Length	0.30m
Material - Component	Nickel-plated Brass
Mounting Thread Size	PG9
Net Weight	3.000/g
Orientation	Straight
Panel Mount	Front
Poles	5

Temperature Range - Operating	-25° to +90°C
Wire/Cable Type	UL 1569
Wire Size (AWG)	22

This document was generated on Feb 13, 2025