



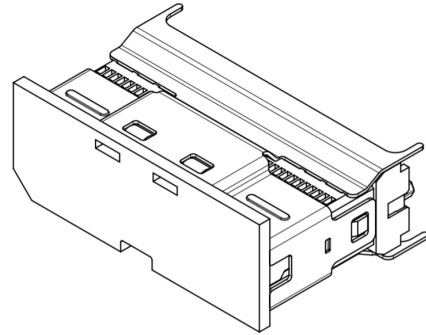
Part Number : [2119661002](#)

Product Description : SlimSAS Receptacle, Vertical, 8x (74 Circuits), 85 Ohm, 0.75um Gold (Au) Plating, 2.20mm Shell Tab Length, Black

Series Number : 211966

Status : Active

Product Category : High-Speed I/O Connectors



Documents & Resources

Drawings

[2119661002_sd.pdf](#)

Specifications

[2119661000-000.pdf](#)

Product Environment Compliance

Compliance

| | |
|--------------------|------------------------------------------------|
| GADSL/IMDS | Not Relevant |
| China RoHS | |
| EU ELV | Compliant per 2000/53/EC |
| Low-Halogen Status | Low-Halogen per IEC 61249-2-21 |
| REACH SVHC | Not Contained per D(2024)6225-DC (07 Nov 2024) |
| EU RoHS | Compliant per EU 2015/863 |

Multiple Part Product Compliance Statements

- Eu RoHS
- REACH SVHC
- Low-Halogen

Multiple Part Industry Compliance Documents

- IPC 1752A Class C
- IPC 1752A Class D
- Molex Product Compliance Declaration
- IEC-62474

Part Details

General

| | |
|----------------|------------------------------------------------------------------------------------------------------------------|
| Status | Active |
| Category | High-Speed I/O Connectors |
| Series | 211966 |
| Description | SlimSAS Receptacle, Vertical, 8x (74 Circuits), 85 Ohm, 0.75um Gold (Au) Plating, 2.20mm Shell Tab Length, Black |
| Application | Wire-to-Board |
| Component Type | Receptacle |
| Product Name | SlimSAS |
| Type | Pluggable |
| UPC | 193264238538 |

Electrical

| | |
|-------------------------------|--------|
| Current - Maximum per Contact | 0.5A |
| Voltage - Maximum | 30V AC |

Physical

| | |
|--------------------------------|------------------------|
| Circuits (Loaded) | 74 |
| Circuits (maximum) | 74 |
| Color - Resin | Black |
| Durability (mating cycles max) | 250 |
| Gender | Female |
| Keying to Mating Part | None |
| Lock to Mating Part | Yes |
| Material - Metal | Copper Alloy |
| Material - Plating Mating | Gold |
| Material - Plating Termination | Matte Tin |
| Material - Resin | Liquid Crystal Polymer |
| Net Weight | 2.825/g |
| Number of Rows | 2 |

| | |
|-------------------------------|-----------------------|
| Orientation | Vertical |
| Packaging Type | Embossed Tape on Reel |
| Panel Mount | No |
| PCB Locator | Yes |
| PCB Retention | Yes |
| Pitch - Mating Interface | 0.60mm |
| Pitch - Termination Interface | 0.60mm |
| Plating min - Mating | 0.750µm |
| Polarized to Mating Part | Yes |
| Polarized to PCB | No |
| Ports | 1 |
| Termination Interface Style | Surface Mount |

This document was generated on Feb 13, 2025