

RJ45 connection: 30 mm, Metal matt, sand gray



product brand name	SIRIUS ACT
product designation	RJ45 connection
design of the product	RJ-45 Cat. 5e
product type designation	3SU1
product line	Metal, matt, flat, 30 mm

Actuator

outer diameter of the actuating element	38 mm
---	-------

General technical data

protection class IP	IP65
---------------------	------

Ambient conditions

ambient temperature	
<ul style="list-style-type: none"> during operation during storage 	<p>-25 ... +70 °C</p> <p>-40 ... +80 °C</p>

Installation/ mounting/ dimensions

shape of the installation opening	round
mounting diameter	30.5 mm
mounting height	5 mm
installation width	38 mm

installation depth	35.25 mm
--------------------	----------

Accessories

material of accessory	Metal
color of accessory	sand gray

Certificates/ approvals

General Product Approval	Declaration of Conformity	Test Certificates	Marine / Shipping
--------------------------	---------------------------	-------------------	-------------------



[Miscellaneous](#)

[Type Test Certificates/Test Report](#)



Marine / Shipping	other
-------------------	-------



[Confirmation](#)

Further information

Information- and Downloadcenter (Catalogs, Brochures,...)

<https://www.siemens.com/ic10>

Industry Mall (Online ordering system)

<https://mall.industry.siemens.com/mall/en/en/Catalog/product?mlfb=3SU1960-0GB80-0AA0>

Cax online generator

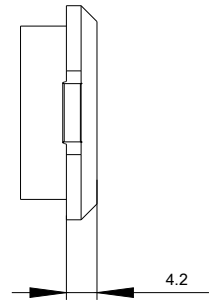
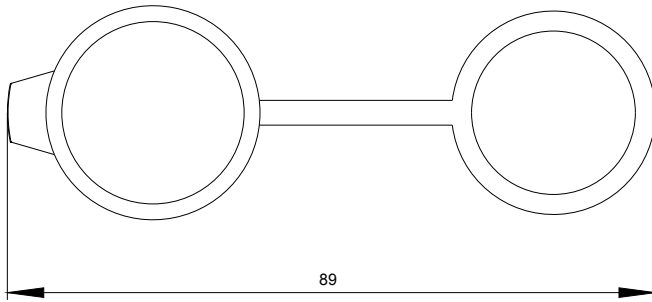
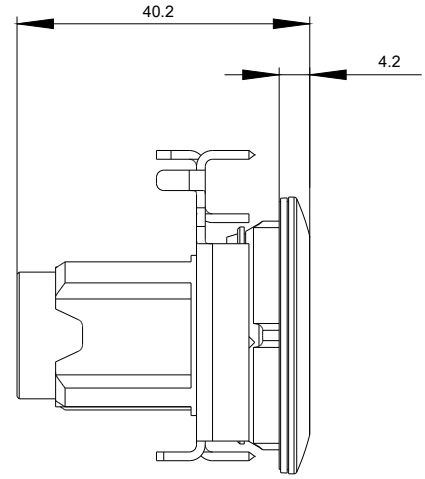
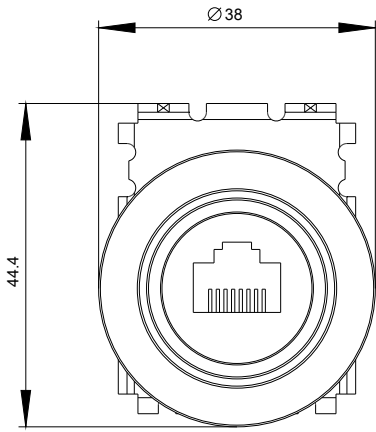
<http://support.automation.siemens.com/WW/CAXorder/default.aspx?lang=en&mlfb=3SU1960-0GB80-0AA0>

Service&Support (Manuals, Certificates, Characteristics, FAQs,...)

<https://support.industry.siemens.com/cs/ww/en/ps/3SU1960-0GB80-0AA0>

Image database (product images, 2D dimension drawings, 3D models, device circuit diagrams, EPLAN macros, ...)

http://www.automation.siemens.com/bilddb/cax_de.aspx?mlfb=3SU1960-0GB80-0AA0&lang=en



last modified:

12/09/2020