

Enclosure for command devices, 22 mm, round, Enclosure material plastic, enclosure top part gray, 1 control point plastic, Recess for label, without equipment



product brand name	SIRIUS ACT
product designation	Enclosures
product type designation	3SU1

Enclosure

design of the housing	with recess for label
shape of the enclosure front	Square
material of the enclosure	plastic
number of command points	1
product component	
• protective collar	No
color	
• of the enclosure top part	grey
fastening method of the enclosure	Vertical / horizontal

General technical data

protection class IP	IP66, IP67, IP69(IP69K)
degree of protection NEMA rating	1, 2, 3, 3R, 4, 4X, 12, 13
shock resistance	
• for railway applications acc. to DIN EN 61373	Category 1, Class B
vibration resistance	

• for railway applications acc. to DIN EN 61373	Category 1, Class B
cable entry type	Without

Connections/ Terminals	
type of electrical connection on enclosure	Cable routing above and below, both 1 x M20
tightening torque of fixing screws in the enclosure cover	1.5 ... 1.7 N·m

Ambient conditions	
environmental category during operation acc. to IEC 60721	3M6, 3S2, 3B2, 3C3, 3K6 (with relative air humidity of 10 ... 95 %, no condensation in operation permitted for all devices behind front panel)

Installation/ mounting/ dimensions	
fastening method	
• of modules and accessories	Floor mounting
height	85 mm
width	85 mm
depth	64 mm
mounting diameter	22.3 mm
positive tolerance of installation diameter	0.4 mm

Certificates/ approvals

General Product Approval	Declaration of Conformity
--------------------------	---------------------------



Declaration of Conformity	Test Certificates	Marine / Shipping
---------------------------	-------------------	-------------------

[Miscellaneous](#)

[Special Test Certificate](#)

[Type Test Certificates/Test Report](#)



Marine / Shipping	other
-------------------	-------



[Confirmation](#)

Further information

Information- and Downloadcenter (Catalogs, Brochures,...)

<https://www.siemens.com/ic10>

Industry Mall (Online ordering system)

<https://mall.industry.siemens.com/mall/en/en/Catalog/product?mfb=3SU1801-0AA00-0AB1>

Cax online generator

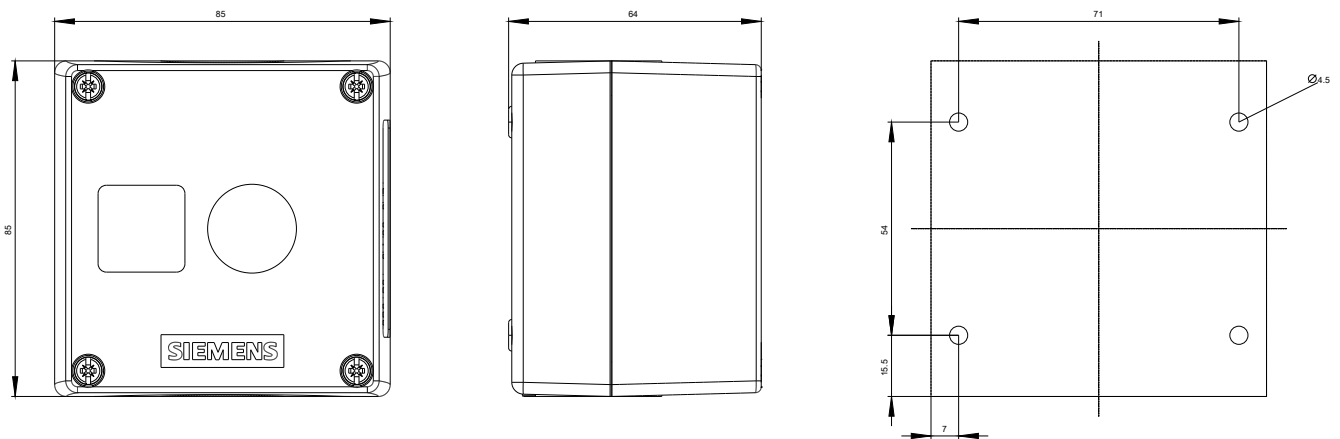
<http://support.automation.siemens.com/WW/CAXorder/default.aspx?lang=en&mfb=3SU1801-0AA00-0AB1>

Service&Support (Manuals, Certificates, Characteristics, FAQs,...)

<https://support.industry.siemens.com/cs/ww/en/ps/3SU1801-0AA00-0AB1>

Image database (product images, 2D dimension drawings, 3D models, device circuit diagrams, EPLAN macros, ...)

http://www.automation.siemens.com/bilddb/cax_de.aspx?mfb=3SU1801-0AA00-0AB1&lang=en



last modified:

11/04/2020