

LED module with integrated LED 24 V AC/DC, yellow, screw terminal, for front plate mounting, Minimum order quantity 5 or a multiple thereof



|                          |            |
|--------------------------|------------|
| product brand name       | SIRIUS ACT |
| product designation      | LED module |
| product type designation | 3SU1       |

General technical data

|  |   |
|--|---|
| product component  |   |
| <ul style="list-style-type: none"> <li>• diode</li> <li>• lamp transformer</li> <li>• light source</li> <li>• series resistor</li> </ul> | <p>Yes</p> <p>No</p> <p>Yes</p> <p>No</p> |
| insulation voltage   |   |
| <ul style="list-style-type: none"> <li>• rated value</li> </ul>  | 320 V                                     |
| degree of pollution  | 3   |
| type of voltage  |   |
| <ul style="list-style-type: none"> <li>• of the operating voltage</li> <li>• of the operating voltage for actuation</li> </ul>           | <p>AC/DC</p> <p>AC/DC</p>                 |
| surge voltage resistance rated value   | 4 kV                                      |
| consumed current   |   |
| <ul style="list-style-type: none"> <li>• maximum</li> </ul>  | 25 mA                                     |
| protection class IP  |   |

|   |  |
|---|--|
| <ul style="list-style-type: none"> <li>• of the enclosure</li> <li>• of the terminal</li> </ul>   | <p>IP40</p> <p>IP20</p>  |
| <b>shock resistance</b> <ul style="list-style-type: none"> <li>• acc. to IEC 60068-2-27</li> <li>• for railway applications acc. to DIN EN 61373</li> </ul>   | <p>Sinusoidal half-wave 50g / 11 ms</p> <p>Category 1, Class B</p> |
| <b>vibration resistance</b> <ul style="list-style-type: none"> <li>• acc. to IEC 60068-2-6</li> <li>• for railway applications acc. to DIN EN 61373</li> </ul>  | <p>10 ... 500 Hz: 5g</p> <p>Category 1, Class B</p>                |
| <b>operating period typical</b>   | 100 000 h  |
| <b>reference code acc. to IEC 81346-2</b>   | P  |
| <b>operating voltage 1</b> <ul style="list-style-type: none"> <li>• at AC <ul style="list-style-type: none"> <li>— at 50 Hz rated value</li> <li>— at 60 Hz rated value</li> </ul> </li> <li>• at DC rated value</li> </ul> | <p>24 V</p> <p>24 V</p> <p>24 V</p>                                |
| <b>relative positive tolerance of the operating voltage</b>   | 20 %   |
| <b>relative negative tolerance of the operating voltage</b>   | 20 %   |

#### Control circuit/ Control

|                               |     |
|-------------------------------|-----|
| <b>inrush current maximum</b> | 2 A |
|-------------------------------|-----|

#### Connections/ Terminals

|   |  |
|---|--|
| <b>type of electrical connection</b>  | screw-type terminals   |
| <b>type of connectable conductor cross-sections</b> <ul style="list-style-type: none"> <li>• solid with core end processing</li> <li>• solid without core end processing</li> <li>• finely stranded with core end processing</li> <li>• finely stranded without core end processing</li> <li>• at AWG cables</li> </ul> | <p>2x (0.5 ... 0.75 mm<sup>2</sup>)</p> <p>2x (1.0 ... 1.5 mm<sup>2</sup>)</p> <p>2x (0.5 ... 1.5 mm<sup>2</sup>)</p> <p>2x (1,0 ... 1,5 mm<sup>2</sup>)</p> <p>2x (18 ... 14)</p> |
| <b>tightening torque</b> <ul style="list-style-type: none"> <li>• with screw-type terminals</li> </ul>  | 0.8 ... 0.9 N·m  |

#### Lamp

|   |                     |
|---|---------------------|
| <b>type of light source</b>   | LED                 |
| <b>color of the light source</b>  | yellow              |
| <b>light intensity</b>  | 900 ... 1 400 mcd   |
| <b>certificate of suitability</b> <ul style="list-style-type: none"> <li>• ATEX</li> <li>• IECEx</li> </ul> | <p>No</p> <p>No</p> |

#### Ambient conditions

|   |   |
|---|---|
| environmental category during operation acc. to IEC 60721 | 3M6, 3S2, 3B2, 3C3, 3K6 (with relative air humidity of 10 ... 95 %, no condensation in operation permitted) |
|---|---|

#### Installation/ mounting/ dimensions

|                              |                      |
|------------------------------|----------------------|
| <b>fastening method</b>      | Front plate mounting |
| • of modules and accessories |                      |
| <b>height</b>                | 33.2 mm              |
| <b>width</b>                 | 9.8 mm               |
| <b>depth</b>                 | 29.4 mm              |

### Certificates/ approvals

|                                 |            |                                  |
|---------------------------------|------------|----------------------------------|
| <b>General Product Approval</b> | <b>EMC</b> | <b>Declaration of Conformity</b> |
|---------------------------------|------------|----------------------------------|



|                                  |                          |                          |
|----------------------------------|--------------------------|--------------------------|
| <b>Declaration of Conformity</b> | <b>Test Certificates</b> | <b>Marine / Shipping</b> |
|----------------------------------|--------------------------|--------------------------|

[Miscellaneous](#)

[Special Test Certificate](#)

[Type Test Certificates/Test Report](#)



|                          |              |
|--------------------------|--------------|
| <b>Marine / Shipping</b> | <b>other</b> |
|--------------------------|--------------|



[Confirmation](#)

### Further information

**Information- and Downloadcenter (Catalogs, Brochures,...)**

<https://www.siemens.com/ic10>

**Industry Mall (Online ordering system)**

<https://mall.industry.siemens.com/mall/en/en/Catalog/product?mlfb=3SU1401-1BB30-1AA0>

**Cax online generator**

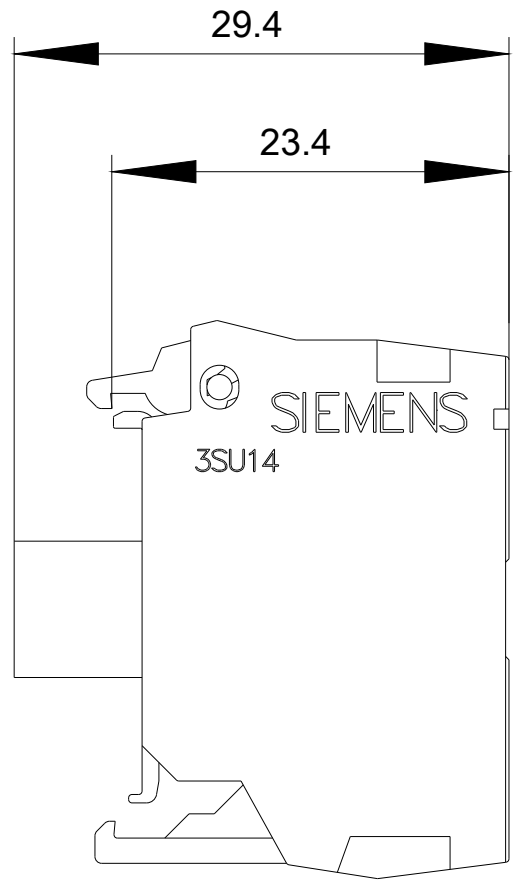
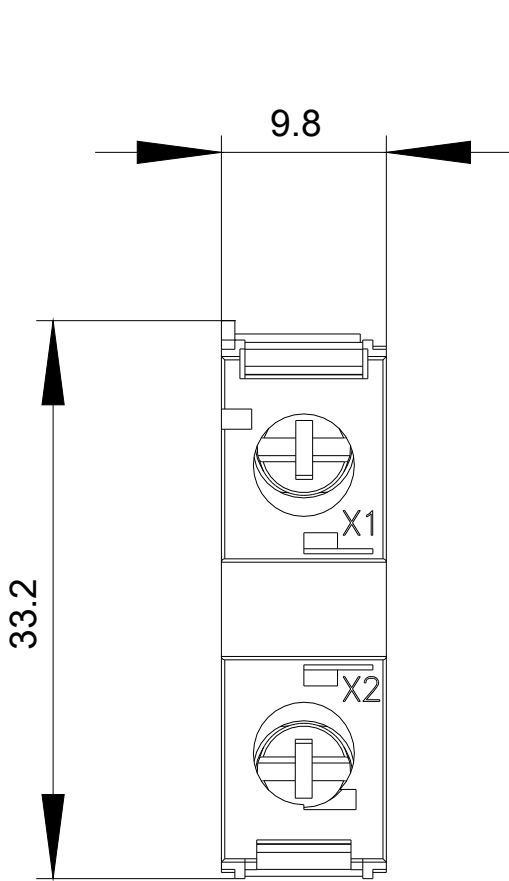
<http://support.automation.siemens.com/WW/CAXorder/default.aspx?lang=en&mlfb=3SU1401-1BB30-1AA0>

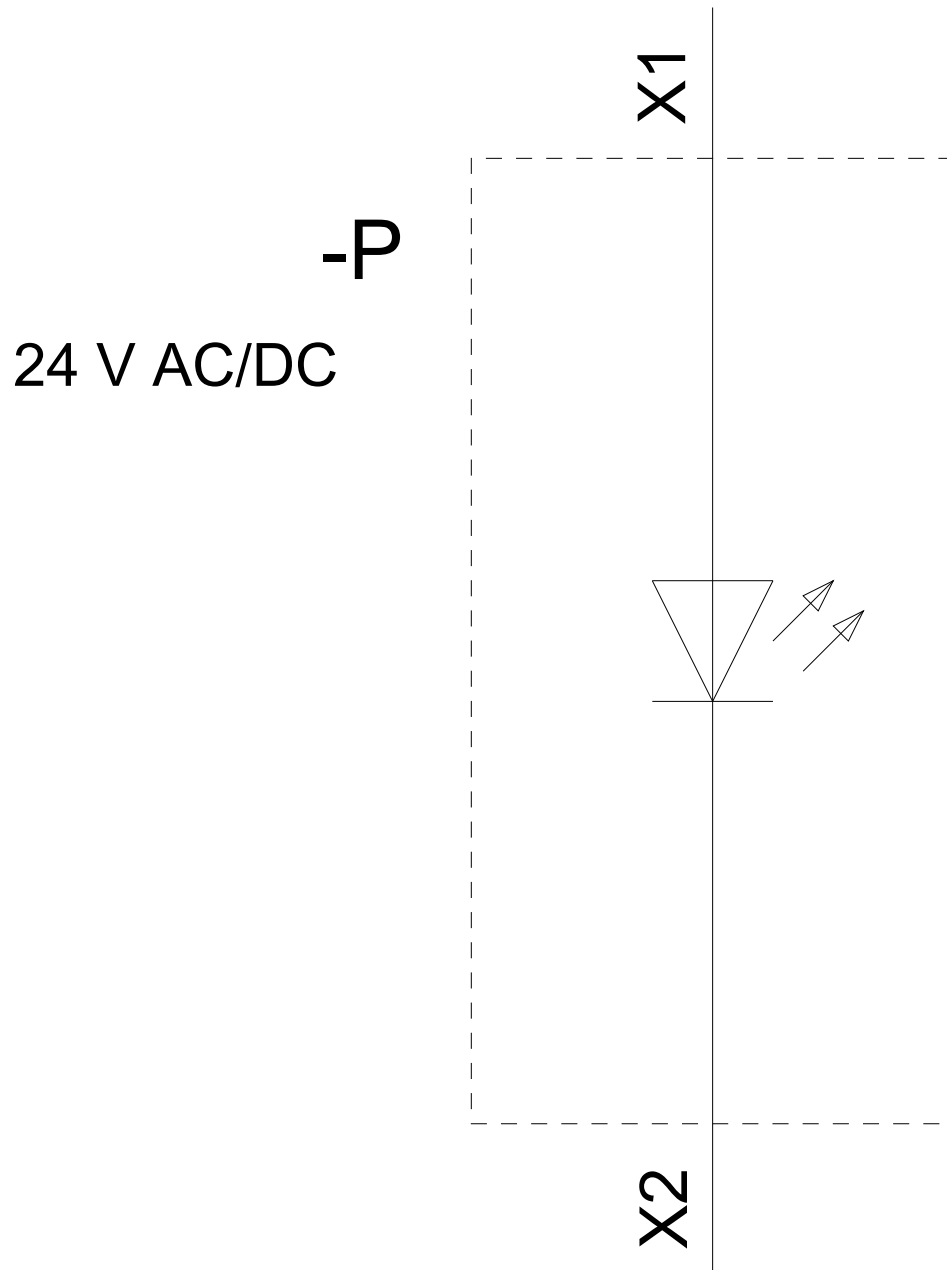
**Service&Support (Manuals, Certificates, Characteristics, FAQs,...)**

<https://support.industry.siemens.com/cs/ww/en/ps/3SU1401-1BB30-1AA0>

**Image database (product images, 2D dimension drawings, 3D models, device circuit diagrams, EPLAN macros, ...)**

[http://www.automation.siemens.com/bilddb/cax\\_de.aspx?mlfb=3SU1401-1BB30-1AA0&lang=en](http://www.automation.siemens.com/bilddb/cax_de.aspx?mlfb=3SU1401-1BB30-1AA0&lang=en)





last modified:

11/04/2020