

Contact module with 1 contact element, 1 NC, screw-type terminal, for floor mounting, Minimum order quantity 5 or a multiple thereof



product brand name	SIRIUS ACT
product designation	Contact module
product type designation	3SU1

General technical data	
product function	
<ul style="list-style-type: none"> <li>positive opening</li> </ul>	Yes
insulation voltage	
<ul style="list-style-type: none"> <li>rated value</li> </ul>	500 V
degree of pollution	3
type of voltage	
<ul style="list-style-type: none"> <li>of the operating voltage</li> <li>of the input voltage</li> </ul>	AC/DC AC/DC
surge voltage resistance rated value	6 kV
protection class IP	
<ul style="list-style-type: none"> <li>of the enclosure</li> <li>of the terminal</li> </ul>	IP40 IP20
shock resistance	
<ul style="list-style-type: none"> <li>acc. to IEC 60068-2-27</li> <li>for railway applications acc. to DIN EN 61373</li> </ul>	Sinusoidal half-wave 50g / 11 ms Category 1, Class B

<b>vibration resistance</b>	
<ul style="list-style-type: none"> <li>• acc. to IEC 60068-2-6</li> <li>• for railway applications acc. to DIN EN 61373</li> </ul>	<p>10 ... 500 Hz: 5g</p> <p>Category 1, Class B</p>
<b>operating frequency maximum</b>	3 600 1/h
<b>mechanical service life (switching cycles)</b>	
<ul style="list-style-type: none"> <li>• typical</li> </ul>	10 000 000
<b>electrical endurance (switching cycles)</b>	
<ul style="list-style-type: none"> <li>• typical</li> </ul>	10 000 000
<b>thermal current</b>	10 A
<b>reference code acc. to IEC 81346-2</b>	S
<b>continuous current of the C characteristic MCB</b>	10 A
<b>operating voltage</b>	
<ul style="list-style-type: none"> <li>• at AC <ul style="list-style-type: none"> <li>— at 50 Hz rated value</li> <li>— at 60 Hz rated value</li> </ul> </li> <li>• at DC <ul style="list-style-type: none"> <li>— rated value</li> </ul> </li> </ul>	<p>5 ... 500 V</p> <p>5 ... 500 V</p> <p>5 ... 500 V</p>

## Power Electronics

<b>contact reliability</b>	One maloperation per 100 million (17 V, 5 mA), one maloperation per 10 million (5 V, 1 mA)
----------------------------	--

## Auxiliary circuit

<b>design of the contact of auxiliary contacts</b>	Silver alloy
<b>number of NC contacts for auxiliary contacts</b>	1
<ul style="list-style-type: none"> <li>• lagging switching</li> </ul>	0
<b>number of NO contacts for auxiliary contacts</b>	0
<ul style="list-style-type: none"> <li>• leading contact</li> </ul>	0
<ul style="list-style-type: none"> <li>• operational current at AC-12 at 24 V rated value</li> </ul>	10 A
<ul style="list-style-type: none"> <li>• operational current at AC-12 at 48 V rated value</li> </ul>	10 A
<ul style="list-style-type: none"> <li>• operational current at AC-12 at 110 V rated value</li> </ul>	10 A
<ul style="list-style-type: none"> <li>• operational current at AC-12 at 230 V rated value</li> </ul>	8 A
<ul style="list-style-type: none"> <li>• operational current at AC-12 at 400 V rated value</li> </ul>	8 A
<ul style="list-style-type: none"> <li>• operational current at AC-15 at 24 V rated value</li> </ul>	6 A
<ul style="list-style-type: none"> <li>• operational current at AC-15 at 48 V rated value</li> </ul>	6 A
<ul style="list-style-type: none"> <li>• operational current at AC-15 at 110 V rated value</li> </ul>	6 A

<ul style="list-style-type: none"> <li>operational current at AC-15 at 230 V rated value</li> </ul>	6 A
<ul style="list-style-type: none"> <li>operational current at AC-15 at 400 V rated value</li> </ul>	3 A
<ul style="list-style-type: none"> <li>operational current at AC-15 at 500 V rated value</li> </ul>	1.4 A
<b>operational current at DC-12</b>	
<ul style="list-style-type: none"> <li>at 24 V rated value</li> </ul>	10 A
<ul style="list-style-type: none"> <li>at 48 V rated value</li> </ul>	5 A
<ul style="list-style-type: none"> <li>at 110 V rated value</li> </ul>	2.5 A
<ul style="list-style-type: none"> <li>at 230 V rated value</li> </ul>	1 A
<ul style="list-style-type: none"> <li>at 400 V rated value</li> </ul>	0.3 A
<ul style="list-style-type: none"> <li>at 500 V rated value</li> </ul>	0.3 A
<b>operational current at DC-13</b>	
<ul style="list-style-type: none"> <li>at 24 V rated value</li> </ul>	3 A
<ul style="list-style-type: none"> <li>at 48 V rated value</li> </ul>	1.5 A
<ul style="list-style-type: none"> <li>at 110 V rated value</li> </ul>	0.7 A
<ul style="list-style-type: none"> <li>at 230 V rated value</li> </ul>	0.3 A
<ul style="list-style-type: none"> <li>at 400 V rated value</li> </ul>	0.1 A
<ul style="list-style-type: none"> <li>at 500 V rated value</li> </ul>	0.1 A

### Connections/ Terminals

<b>type of electrical connection</b>	screw-type terminals
<b>type of connectable conductor cross-sections</b>	
<ul style="list-style-type: none"> <li>solid with core end processing</li> </ul>	2x (0.5 ... 0.75 mm <sup>2</sup> )
<ul style="list-style-type: none"> <li>solid without core end processing</li> </ul>	2x (1.0 ... 1.5 mm <sup>2</sup> )
<ul style="list-style-type: none"> <li>finely stranded with core end processing</li> </ul>	2x (0.5 ... 1.5 mm <sup>2</sup> )
<ul style="list-style-type: none"> <li>finely stranded without core end processing</li> </ul>	2x (1,0 ... 1,5 mm <sup>2</sup> )
<ul style="list-style-type: none"> <li>at AWG cables</li> </ul>	2x (18 ... 14)
<b>tightening torque</b>	
<ul style="list-style-type: none"> <li>with screw-type terminals</li> </ul>	0.8 ... 0.9 N·m

### Ambient conditions

environmental category during operation acc. to IEC 60721	3M6, 3S2, 3B2, 3C3 (without salt spray), 3K6 (with relative humidity of 10 ... 95%, no condensation in operation permitted)
---	---

### Installation/ mounting/ dimensions

<b>fastening method</b>	floor mounting
<ul style="list-style-type: none"> <li>of modules and accessories</li> </ul>	Floor mounting
<b>height</b>	33.2 mm
<b>width</b>	9.8 mm
<b>depth</b>	27.7 mm

### Certificates/ approvals

## General Product Approval



CSA



CCC



UL



VDE

[KC](#)



## Declaration of Conformity



EG-Konf.

[Miscellaneous](#)

## Test Certificates

[Special Test Certificate](#)

[Type Test Certificates/Test Report](#)

## Marine / Shipping



ABS



LRS

## Marine / Shipping



PRS



RINA



RMRS

## other

[Confirmation](#)

## Further information

### Information- and Downloadcenter (Catalogs, Brochures,...)

<https://www.siemens.com/ic10>

### Industry Mall (Online ordering system)

<https://mall.industry.siemens.com/mall/en/en/Catalog/product?mlfb=3SU1400-2AA10-1CA0>

### Cax online generator

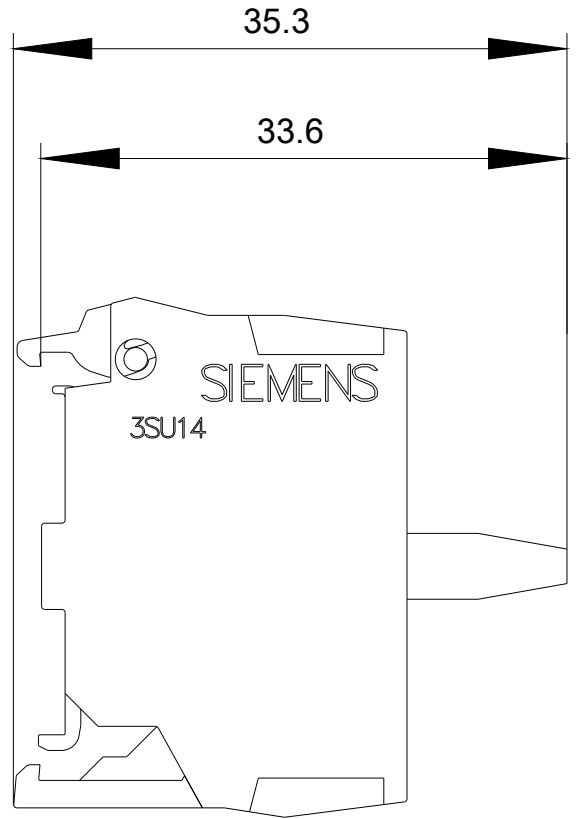
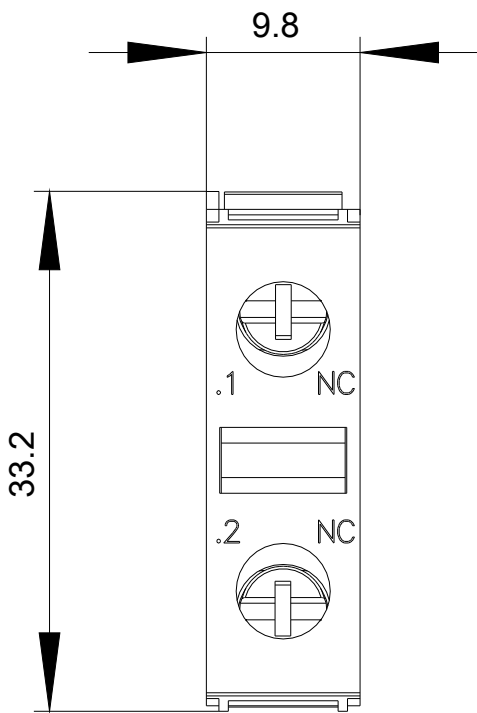
<http://support.automation.siemens.com/WW/CAXorder/default.aspx?lang=en&mlfb=3SU1400-2AA10-1CA0>

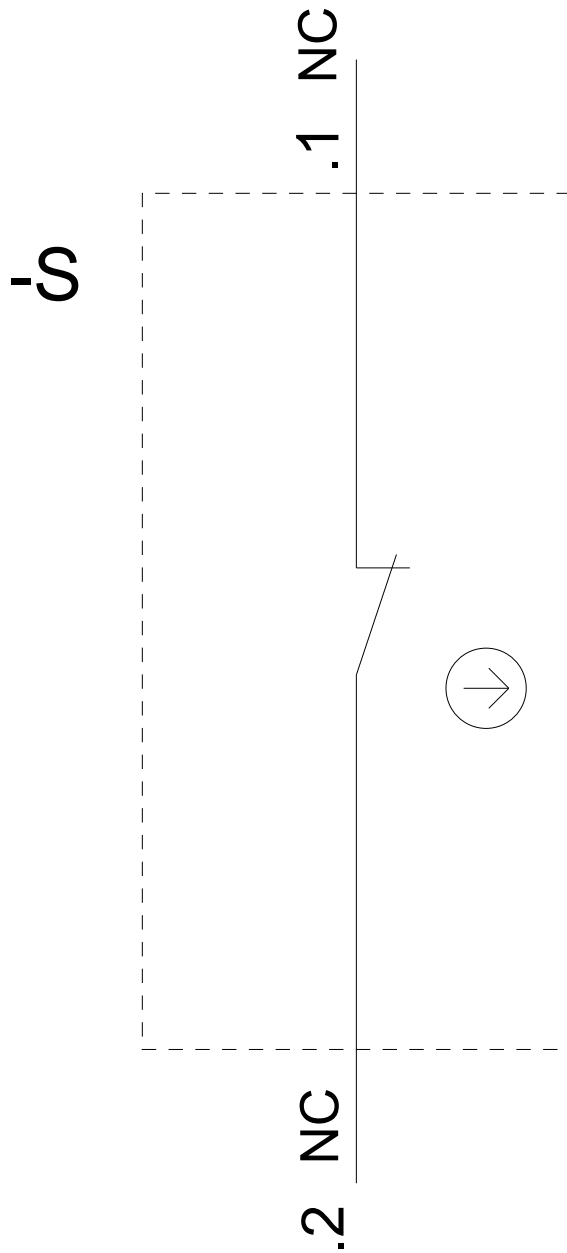
### Service&Support (Manuals, Certificates, Characteristics, FAQs,...)

<https://support.industry.siemens.com/cs/ww/en/ps/3SU1400-2AA10-1CA0>

### Image database (product images, 2D dimension drawings, 3D models, device circuit diagrams, EPLAN macros, ...)

[http://www.automation.siemens.com/bilddb/cax\\_de.aspx?mlfb=3SU1400-2AA10-1CA0&lang=en](http://www.automation.siemens.com/bilddb/cax_de.aspx?mlfb=3SU1400-2AA10-1CA0&lang=en)





last modified:

11/04/2020