

Contact module with 2 contact elements, 2 NC, spring-type terminal, for front plate mounting



| | |
|--------------------------|----------------|
| Product brand name | SIRIUS ACT |
| Product designation | Contact module |
| Product type designation | 3SU1 |

| General technical data | |
|---|--|
| Product function | |
| <ul style="list-style-type: none"> • positive opening | Yes |
| Insulation voltage | |
| <ul style="list-style-type: none"> • rated value | 500 V |
| Degree of pollution | 3 |
| Type of voltage | |
| <ul style="list-style-type: none"> • of the operating voltage • of the input voltage | AC/DC AC/DC |
| Surge voltage resistance rated value | 6 kV |
| Protection class IP | |
| <ul style="list-style-type: none"> • of the enclosure • of the terminal | IP40 IP20 |
| Shock resistance | |
| <ul style="list-style-type: none"> • acc. to IEC 60068-2-27 • for railway applications acc. to DIN EN 61373 | Sinusoidal half-wave 50 g / 11 ms Category 1, Class B |

| | |
|---|--|
| Vibration resistance | |
| <ul style="list-style-type: none"> • acc. to IEC 60068-2-6 • for railway applications acc. to DIN EN 61373 | <p>10 ... 500 Hz: 5g</p> <p>Category 1, Class B</p> |
| Operating frequency maximum | 3 600 1/h |
| Mechanical service life (switching cycles) | |
| <ul style="list-style-type: none"> • typical | 10 000 000 |
| Electrical endurance (switching cycles) | |
| <ul style="list-style-type: none"> • typical | 10 000 000 |
| Thermal current | 10 A |
| Reference code acc. to DIN EN 81346-2 | S |
| Reference code acc. to DIN EN 61346-2 | S |
| Continuous current of the C characteristic MCB | 10 A |
| Operating voltage | |
| <ul style="list-style-type: none"> • at AC <ul style="list-style-type: none"> — at 50 Hz rated value — at 60 Hz rated value • at DC <ul style="list-style-type: none"> — rated value | <p>5 ... 500 V</p> <p>5 ... 500 V</p> <p>5 ... 500 V</p> |

Power Electronics

| | |
|----------------------------|--|
| Contact reliability | One maloperation per 100 million (17 V, 5 mA), one maloperation per 10 million (5 V, 1 mA) |
|----------------------------|--|

Auxiliary circuit

| | |
|--|---|
| Design of the contact of auxiliary contacts | Silver alloy |
| Number of NC contacts for auxiliary contacts | 2 |
| <ul style="list-style-type: none"> • lagging switching | 0 |
| Number of NO contacts for auxiliary contacts | 0 |
| <ul style="list-style-type: none"> • leading contact | 0 |
| Operating current at AC-12 | |
| <ul style="list-style-type: none"> • at 24 V rated value • at 48 V rated value • at 110 V rated value • at 230 V rated value • at 400 V rated value | <p>10 A</p> <p>10 A</p> <p>10 A</p> <p>8 A</p> <p>8 A</p> |
| Operating current at AC-15 | |
| <ul style="list-style-type: none"> • at 24 V rated value • at 48 V rated value • at 110 V rated value • at 230 V rated value • at 400 V rated value • at 500 V rated value | <p>6 A</p> <p>6 A</p> <p>6 A</p> <p>6 A</p> <p>3 A</p> <p>1.4 A</p> |
| Operating current at DC-12 | |

| | |
|--|--|
| <ul style="list-style-type: none"> • at 24 V rated value • at 48 V rated value • at 110 V rated value • at 230 V rated value • at 400 V rated value • at 500 V rated value | 10 A 5 A 2.5 A 1 A 0.3 A 0.3 A |
| Operating current at DC-13 | |
| <ul style="list-style-type: none"> • at 24 V rated value • at 48 V rated value • at 110 V rated value • at 230 V rated value • at 400 V rated value • at 500 V rated value | 3 A 1.5 A 0.7 A 0.3 A 0.1 A 0.1 A |

Connections/ Terminals

| | |
|---|---|
| Type of electrical connection | spring-loaded terminals |
| Type of connectable conductor cross-sections | |
| <ul style="list-style-type: none"> • solid without core end processing • finely stranded with core end processing • finely stranded without core end processing • at AWG conductors | 2x (0.25 ... 1.5 mm ²) 2x (0.25 ... 0.75 mm ²) 2x (0.25 ... 1.5 mm ²) 2x (24 ... 16) |

Ambient conditions

| | |
|--|---|
| Ambient temperature | |
| <ul style="list-style-type: none"> • during operation • during storage | -25 ... +70 °C -40 ... +80 °C |
| Environmental category during operation acc. to IEC 60721 | 3M6, 3S2, 3B2, 3C3 (without salt spray), 3K6 (with relative humidity of 10 ... 95%, no condensation in operation permitted) |

Installation/ mounting/ dimensions

| | |
|--|----------------------|
| Mounting type | front panel mounting |
| <ul style="list-style-type: none"> • of modules and accessories | Front plate mounting |
| Height | 36 mm |
| Width | 9.8 mm |
| Depth | 49.7 mm |

Certificates/ approvals

General Product Approval



CCC



CSA



UL



VDE

[KC](#)



Declaration of Conformity



EG-Konf.

[Miscellaneous](#)

Test Certificates

[Type Test Certificates/Test Report](#)

[Special Test Certificate](#)

Marine / Shipping



ABS



LRS

Marine / Shipping



PRS



RINA



RMRS

other

[Confirmation](#)

Further information

Information- and Downloadcenter (Catalogs, Brochures,...)

<https://www.siemens.com/ic10>

Industry Mall (Online ordering system)

<https://mall.industry.siemens.com/mall/en/en/Catalog/product?mlfb=3SU1400-1AA10-3EA0>

Cax online generator

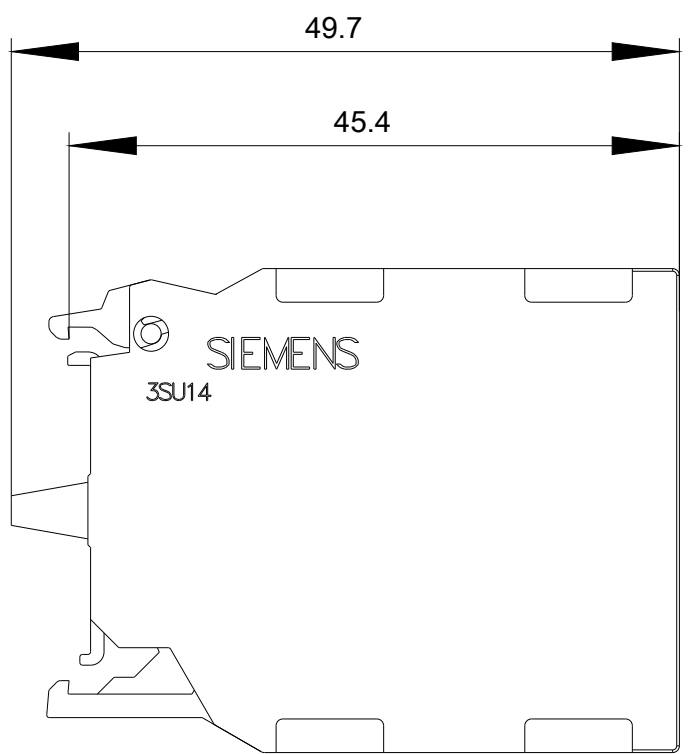
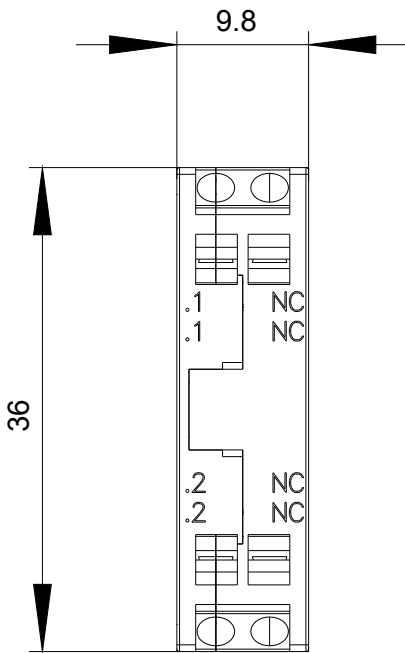
<http://support.automation.siemens.com/WW/CAXorder/default.aspx?lang=en&mlfb=3SU1400-1AA10-3EA0>

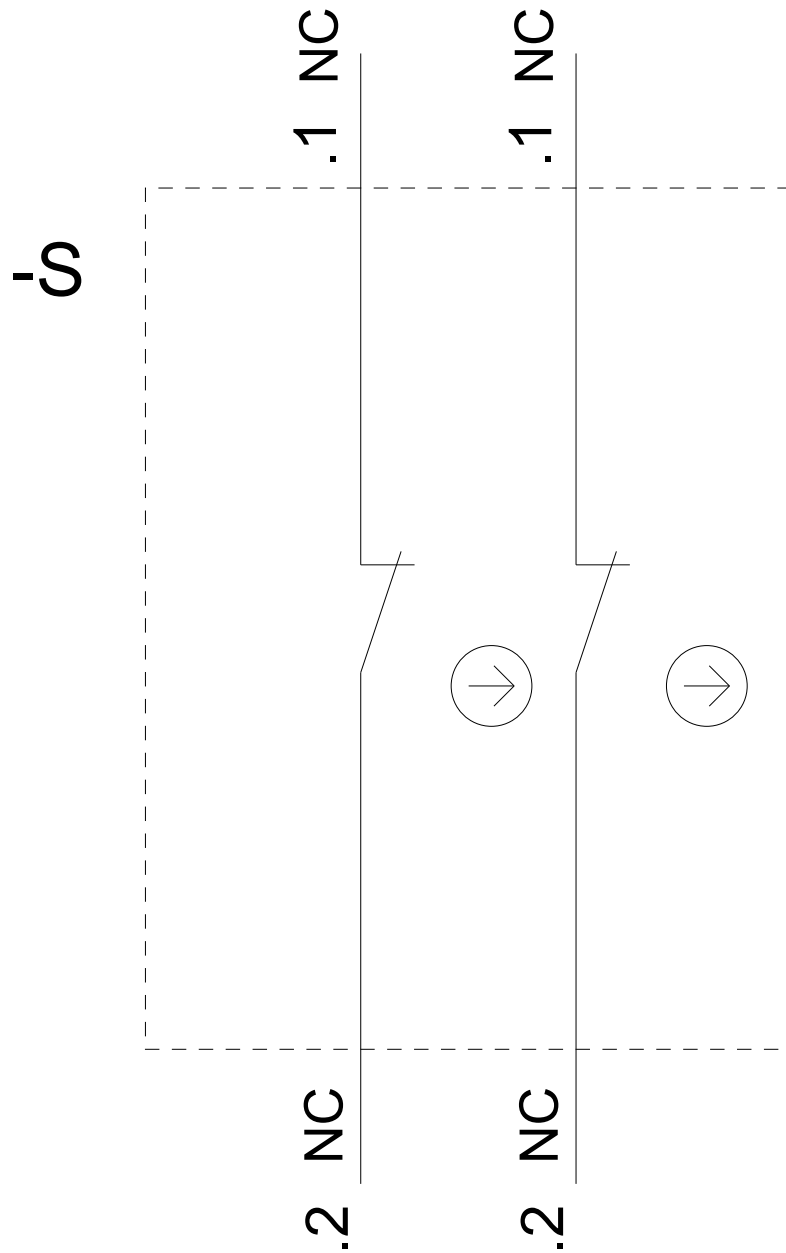
Service&Support (Manuals, Certificates, Characteristics, FAQs,...)

<https://support.industry.siemens.com/cs/ww/en/ps/3SU1400-1AA10-3EA0>

Image database (product images, 2D dimension drawings, 3D models, device circuit diagrams, EPLAN macros, ...)

http://www.automation.siemens.com/bilddb/cax_de.aspx?mlfb=3SU1400-1AA10-3EA0&lang=en





last modified:

06/22/2020