

SIRIUS safety relay Input expansion Advanced Input expansion for an additional 2-channel or two 1-channel sensors $U_s = 24\text{ V DC}$
Spring-type terminal (push-in)



General technical data	
Product brand name	SIRIUS
Product category	Safety relays
Product designation	Sensor extension
Protection class IP of the enclosure	IP20
Protection against electrical shock	finger-safe
Insulation voltage rated value	50 V
Ambient temperature	
• during storage	-40 ... +80 °C
• during operation	-25 ... +60 °C
Air pressure acc. to SN 31205	90 kPa ... 106 kPa
Relative humidity during operation	10 ... 95 %
Installation altitude at height above sea level maximum	2 000 m
Vibration resistance acc. to IEC 60068-2-6	5 ... 500 Hz: 0.75 mm
Shock resistance	10g / 11 ms
Surge voltage resistance rated value	800 V
EMC emitted interference	IEC 60947-5-1, Class A

Installation environment regarding EMC	This product is suitable for Class A environments only. It can cause undesired radio-frequency interference in residential environments. If this is the case, the user must take appropriate measures.
Overvoltage category	3
Degree of pollution	3
Reference code acc. to DIN EN 61346-2	F
Reference code acc. to DIN EN 81346-2	F
Power loss [W] maximum	1.2 W
Number of sensor inputs 1-channel or 2-channel	1
Type of the safety-related wiring of the inputs	single-channel and two-channel
Product feature cross-circuit-proof	Yes
Safety Integrity Level (SIL) acc. to IEC 61508	3
Performance level (PL) acc. to EN ISO 13849-1	e
Category acc. to EN ISO 13849-1	4
PFHD with high demand rate acc. to EN 62061	0.000000001 1/h
PFDavg with low demand rate acc. to IEC 61508	0.000007
T1 value for proof test interval or service life acc. to IEC 61508	20 y
Hardware fault tolerance acc. to IEC 61508	1
Safety device type acc. to IEC 61508-2	Type B
Number of outputs as contact-affected switching element	
• as NC contact	
— for signaling function instantaneous contact	0
— for signaling function delayed switching	0
— safety-related instantaneous contact	0
— safety-related delayed switching	0
• as NO contact	
— for signaling function instantaneous contact	0
— for signaling function delayed switching	0
— safety-related instantaneous contact	0
— safety-related delayed switching	0
Number of outputs as contact-less semiconductor switching element	
• for signaling function	
— delayed switching	0
Stop category acc. to DIN EN 60204-1	0
General technical data	
Design of input Start input	Yes
Type of electrical connection Plug-in socket	No

Wire length between sensor and electronic evaluation device with Cu 1.5 mm ² and 150 nF/km maximum	4 000 m
Make time with automatic start	
• typical	60 ms
• at DC maximum	60 ms
Make time with automatic start after power failure	
• typical	6 500 ms
• maximum	6 500 ms
Make time with monitored start	
• maximum	60 ms
• typical	60 ms
Backslide delay time after opening of the safety circuits typical	40 ms
Recovery time after opening of the safety circuits typical	30 ms
Pulse duration	
• of the sensor input minimum	60 ms
• of the ON pushbutton input minimum	0.15 s

Control circuit/ Control

Type of voltage of the control supply voltage	DC
Control supply voltage	
• at DC	
— rated value	24 V
Operating range factor control supply voltage rated value of magnet coil	
• at DC	0.8 ... 1.2

Installation/ mounting/ dimensions

Mounting position	any
Required spacing for grounded parts at the side	5 mm
Required spacing with side-by-side mounting at the side	0 mm
Mounting type	screw and snap-on mounting
Width	17.5 mm
Height	100 mm
Depth	121.6 mm

Connections/ Terminals

Type of electrical connection	Push-in terminal
Type of connectable conductor cross-sections	
• solid	1x (0.5 ... 1.5 mm ²), 2x (0.5 ... 1.5 mm ²)
• finely stranded	
— with core end processing	1x (0.5 ... 1.0 mm ²), 2x (0.5 ... 1.0 mm ²)

— without core end processing	1x (0.5 ... 1.5 mm ²), 2x (0.5 ... 1.5 mm ²)
Type of connectable conductor cross-sections at AWG conductors	
• solid	1x (20 ... 16), 2x (20 ... 16)
• stranded	1x (20 ... 16), 2x (20 ... 16)

Product Function	
Product function parameterizable	Sensor floating / sensor non-floating, monitored start / autostart, 1-channel / 2-channel sensor connection, cross-circuit detection, startup testing, antivalent sensors, 2-hand switches
Suitability for operation Device connector 3ZY12	Yes
Suitability for interaction press control	No
Suitability for use	
• safety switch	Yes
• Monitoring of floating sensors	Yes
• Monitoring of non-floating sensors	Yes
• magnetically operated switch monitoring	Yes
• safety-related circuits	Yes

Certificates/ approvals	
Certificate of suitability	
• TÜV (German technical inspectorate) certificate	Yes
• UL approval	Yes

General Product Approval	EMC	Functional Safety/Safety of Machinery
 CCC  CSA  UL  EAC  RCM		Type Examination Certificate

Declaration of Conformity	Test Certificates	Shipping Approval
 EG-Konf.	Miscellaneous Type Test Certificates/Test Report	 LRS  RINA  RMRS

other	Railway
Confirmation	Confirmation

Further information

Information- and Downloadcenter (Catalogs, Brochures,...)

<https://www.siemens.com/ic10>

Industry Mall (Online ordering system)

<https://mall.industry.siemens.com/mall/en/en/Catalog/product?mfb=3SK1220-2AB40>

Cax online generator

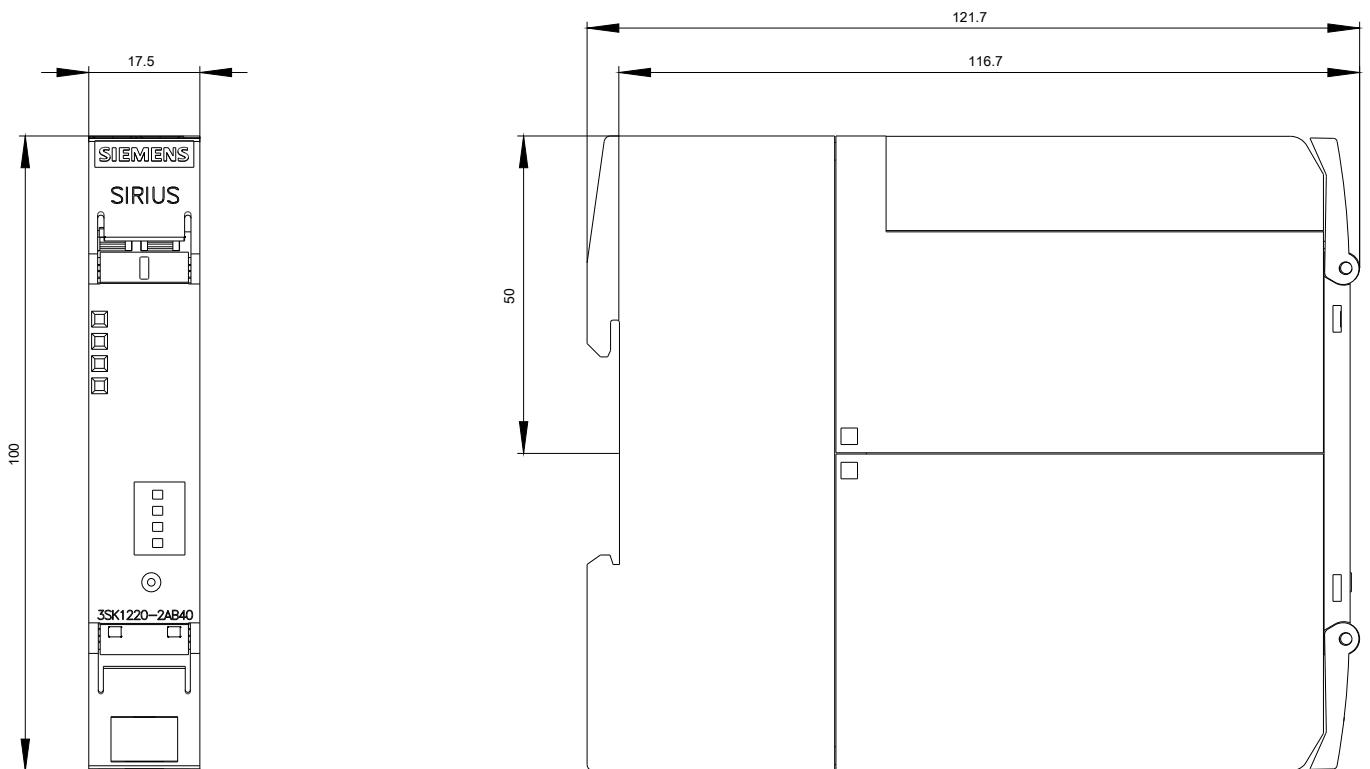
<http://support.automation.siemens.com/WW/CAXorder/default.aspx?lang=en&mfb=3SK1220-2AB40>

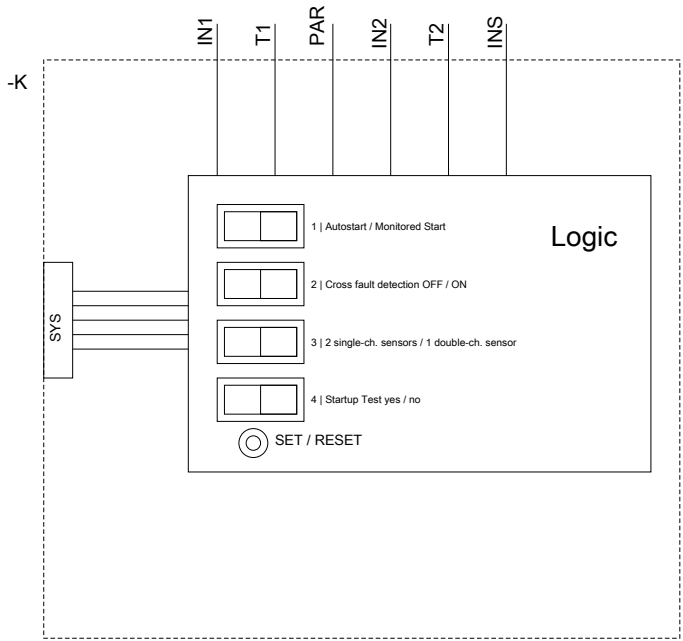
Service&Support (Manuals, Certificates, Characteristics, FAQs,...)

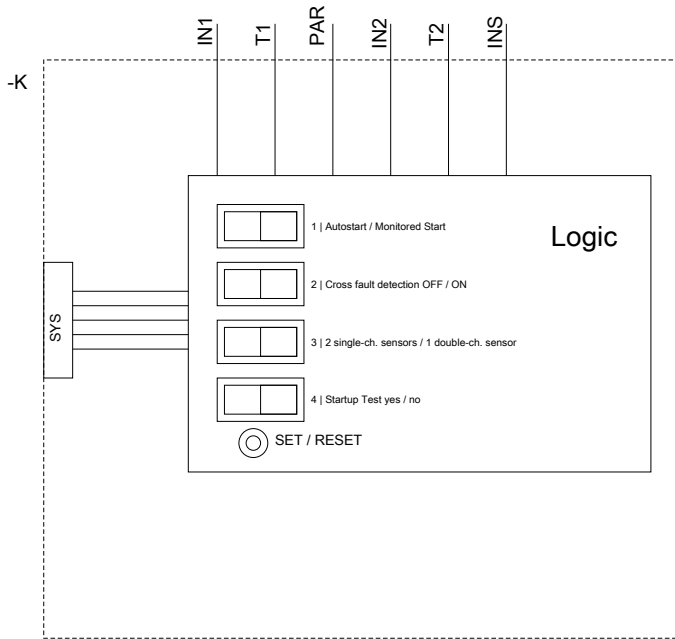
<https://support.industry.siemens.com/cs/ww/en/ps/3SK1220-2AB40>

Image database (product images, 2D dimension drawings, 3D models, device circuit diagrams, EPLAN macros, ...)

http://www.automation.siemens.com/bilddb/cax_de.aspx?mfb=3SK1220-2AB40&lang=en







last modified:

03/10/2020