



Safety position switch with tumbler Locking force 2600 N 5 directions of approaches Metal enclosure, M12 connector ASI safe integrated Channel 1=actuator 1 NC Channel 2=magnet 1 NC spring-locked Auxiliary release lock on front Magnet voltage 24 V DC/AC Monitoring actuator 2 NC/1 NO Monitoring magnet 2 NC/1 NO The matching separate Actuator 3SE5000-0AV0 must be ordered separately

product brand name	SIRIUS
product designation	Mechanical safety switches
design of the product	with separate actuator and with tumbler
product type designation	3SF13
manufacturer's article number <ul style="list-style-type: none"> <li>of the optional actuators</li> </ul>	3SE5000-0AV01 standard actuator, 3SE5000-0AV02 actuator with vertical mounting, 3SE5000-0AV03 actuator with transverse mounting, 3SE5000-0AV04 radius actuator left, 3SE5000-0AV05 universal actuator, 3SE5000-0AV06 radius actuator right, 3SE5000-0AV07 heavy duty actuator
suitability for use safety switch	Yes

General technical data	
product function <ul style="list-style-type: none"> <li>positive opening</li> </ul>	Yes
insulation voltage <ul style="list-style-type: none"> <li>rated value</li> </ul>	30 V
degree of pollution	class 3
surge voltage resistance rated value	0.8 kV
protection class IP	IP66/IP67
shock resistance	30g / 11 ms

• acc. to IEC 60068-2-27	30g / 11 ms
<b>vibration resistance</b>	0.35 mm / 5g
• acc. to IEC 60068-2-6	0.35 mm/5g
<b>mechanical service life (switching cycles)</b>	
• typical	1 000 000
<b>material of the enclosure of the switch head</b>	metal
<b>reference code acc. to IEC 81346-2</b>	B
<b>locking force</b>	2 600 N
• acc. to DIN EN ISO 14119	2 000 N
<b>repeat accuracy</b>	0.1 mm
<b>minimum actuating force in directions of actuation</b>	30 N

Enclosure	
<b>design of the housing</b>	special design
<b>material of the enclosure</b>	metal
<b>coating of the enclosure</b>	cathodic immersion coating
<b>design of the housing acc. to standard</b>	No

Drive Head	
<b>design of the actuating element</b>	5 directions of approach
<b>design of the switching function</b>	positive opening
<b>number of directions of actuation</b>	5

Connections/ Terminals	
<b>type of electrical connection</b>	M12 plug, fixed

Safety related data	
<b>B10 value</b>	
• with high demand rate acc. to SN 31920	1 000 000
<b>proportion of dangerous failures</b>	
• with high demand rate acc. to SN 31920	20 %
<b>design of plug-in connection</b>	M12 plug, 4-pole: Pin 1 = ASI+ , Pin 2 = not assigned, Pin 3= ASI- , Pin 4 = not assigned
<b>locking mechanism design</b>	spring-actuated lock (closed-circuit principle) with auxiliary release and lock

Communication/ Protocol	
<b>design of the interface</b>	M12 plug, fixed
<b>AS-Interface slave profile</b>	7.B.F
<b>ID1 code</b>	F (default); 0...F

Supply voltage	
<b>supply voltage of magnet coil</b>	24 V

Installation/ mounting/ dimensions	
<b>mounting position</b>	any
<b>fastening method</b>	screw fixing

## Certificates/ approvals

<b>General Product Approval</b>	<b>Functional Safety/Safety of Machinery</b>	<b>Declaration of Conformity</b>
---------------------------------	--	----------------------------------



[Type Examination Certificate](#)

[Miscellaneous](#)



<b>Test Certificates</b>	<b>other</b>
--------------------------	--------------

[Type Test Certificates/Test Report](#)

[Confirmation](#)

[Miscellaneous](#)

## Further information

**Information- and Downloadcenter (Catalogs, Brochures,...)**

<https://www.siemens.com/ic10>

**Industry Mall (Online ordering system)**

<https://mall.industry.siemens.com/mall/en/en/Catalog/product?mlfb=3SF1314-1SE11-1BA1>

**Cax online generator**

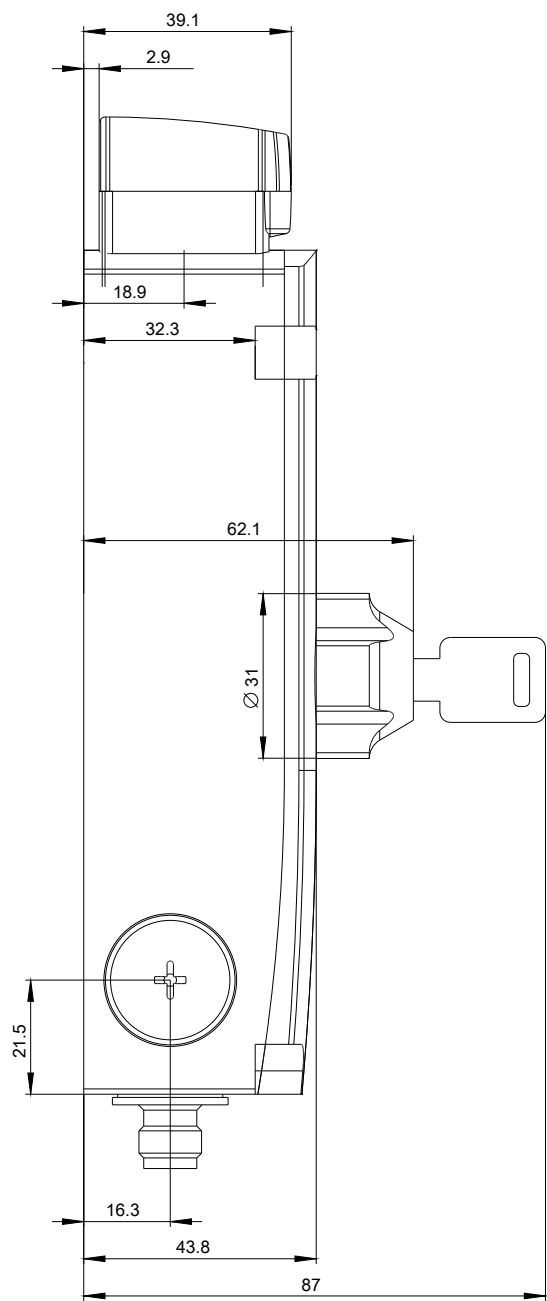
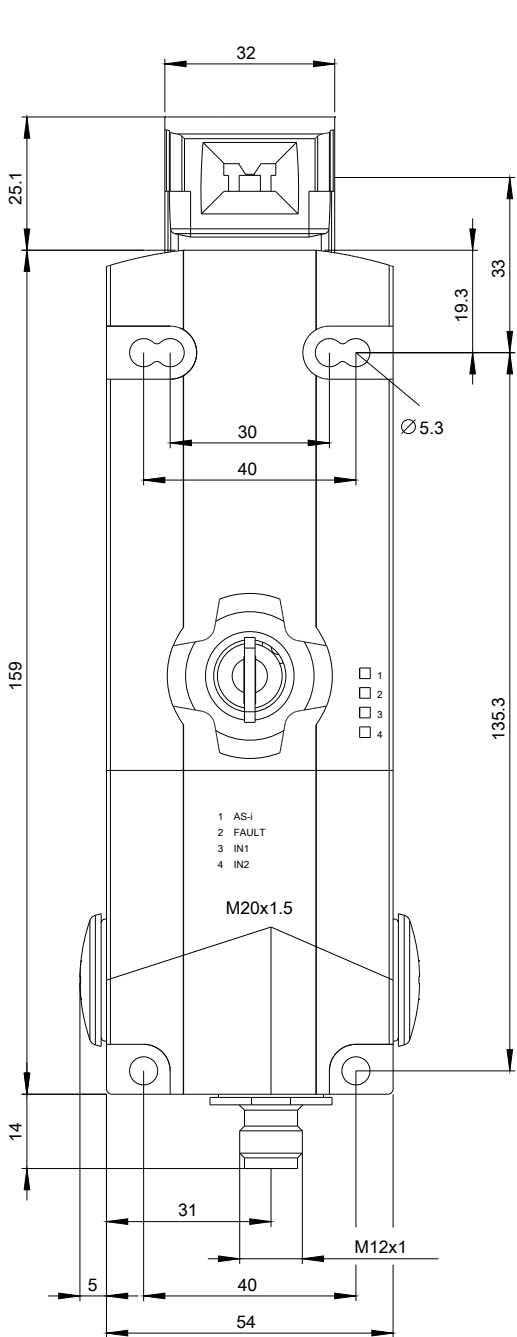
<http://support.automation.siemens.com/WW/CAXorder/default.aspx?lang=en&mlfb=3SF1314-1SE11-1BA1>

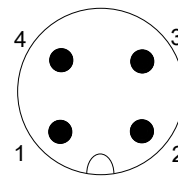
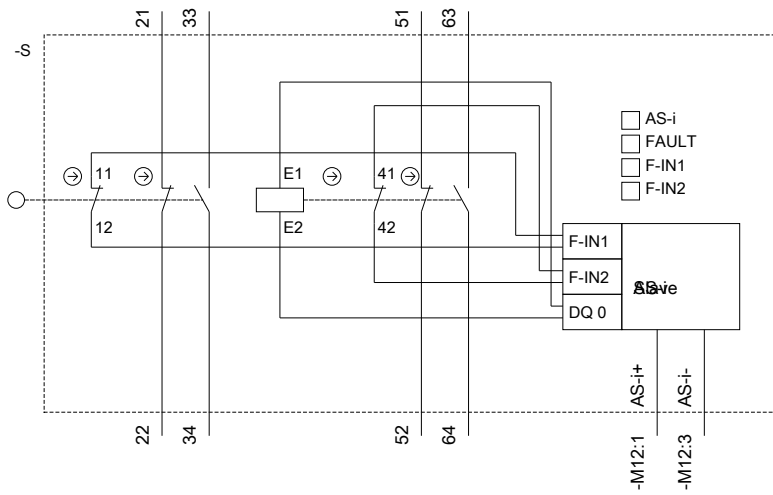
**Service&Support (Manuals, Certificates, Characteristics, FAQs,...)**

<https://support.industry.siemens.com/cs/ww/en/ps/3SF1314-1SE11-1BA1>

**Image database (product images, 2D dimension drawings, 3D models, device circuit diagrams, EPLAN macros, ...)**

[http://www.automation.siemens.com/bilddb/cax\\_de.aspx?mlfb=3SF1314-1SE11-1BA1&lang=en](http://www.automation.siemens.com/bilddb/cax_de.aspx?mlfb=3SF1314-1SE11-1BA1&lang=en)





1	→	ASi +
2	→	n. c.
3	→	ASi -
4	→	n. c.

last modified:

11/21/2020