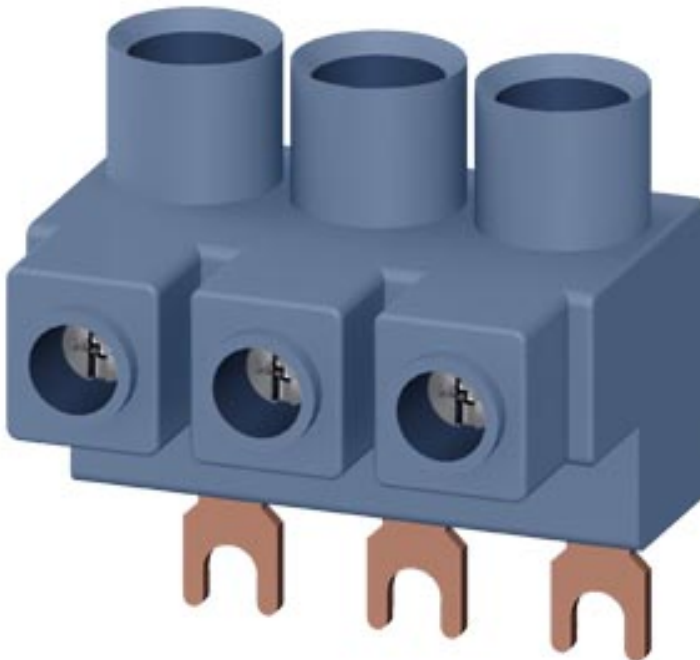


3-phase supply terminal for 3-phase busbar for self-protection combination motor controller (type E) for circuit breaker 3RV Size S00/S0







General technical data		
Product brand name		SIRIUS
Product designation		Three-phase feeder terminal
Design of the product		from above, Type E, size S0/S00
Size of the circuit-breaker		S00, S0
Protection class IP on the front		IP20
Insulation voltage with degree of pollution 3 at AC rated value	V	690
Ambient temperature		
• during storage	°C	-50 ... +80
• during operation	°C	-20 ... +60
Ampacity maximum	A	63
Installation/ mounting/ dimensions		
Width	mm	44
Height	mm	44.5
Depth	mm	32
Connections/ Terminals		
Type of electrical connection for main current circuit		screw-type terminals

Type of connectable conductor cross-sections	
<ul style="list-style-type: none"> <li>• for main contacts               <ul style="list-style-type: none"> <li>— solid</li> <li>— stranded</li> <li>— finely stranded                   <ul style="list-style-type: none"> <li>— with core end processing</li> </ul> </li> </ul> </li> <li>• at AWG conductors for main contacts</li> </ul>	<p>1x (2.5 ... 16 mm<sup>2</sup>)</p> <p>1x (2.5 ... 25 mm<sup>2</sup>)</p> <p>1x (2.5 ... 16 mm<sup>2</sup>)</p> <p>1x (10 ... 4)</p>

### Certificates/ approvals

Certificate of suitability	CE / UL / CSA / CCC
----------------------------	---------------------

General Product Approval	Declaration of Conformity	Test Certificates
 CSA	 UL	 EAC
	 EG-Konf.	<a href="#">Miscellaneous</a> <a href="#">Special Test Certificate</a>

Test Certificates	Shipping Approval
-------------------	-------------------

[Type Test Certificates/Test Report](#)



Shipping Approval	other	Railway
-------------------	-------	---------



[Confirmation](#)



[Vibration and Shock](#)

### Further information

**Information- and Downloadcenter (Catalogs, Brochures,...)**

<https://www.siemens.com/ic10>

**Industry Mall (Online ordering system)**

<https://mall.industry.siemens.com/mall/en/en/Catalog/product?mlfb=3RV2925-5EB>

**Cax online generator**

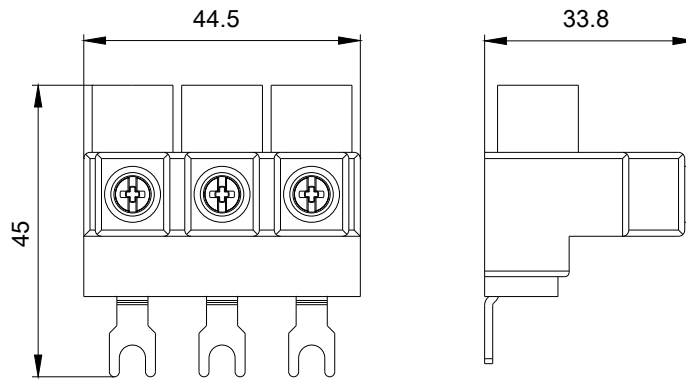
<http://support.automation.siemens.com/WW/CAXorder/default.aspx?lang=en&mlfb=3RV2925-5EB>

**Service&Support (Manuals, Certificates, Characteristics, FAQs,...)**

<https://support.industry.siemens.com/cs/ww/en/ps/3RV2925-5EB>

**Image database (product images, 2D dimension drawings, 3D models, device circuit diagrams, EPLAN macros, ...)**

[http://www.automation.siemens.com/bilddb/cax\\_de.aspx?mlfb=3RV2925-5EB&lang=en](http://www.automation.siemens.com/bilddb/cax_de.aspx?mlfb=3RV2925-5EB&lang=en)



last modified:

12/08/2020

Date:

Name:

Format/Size: DIN A4