



Circuit breaker size S3 for motor protection, CLASS 10 A-release 80...100 A N-release 1300 A screw terminal Standard switching capacity

| | |
|--|----------------------|
| product brand name | SIRIUS |
| product designation | Circuit breaker |
| design of the product | For motor protection |
| product type designation | 3RV2 |
| General technical data | |
| size of the circuit-breaker | S3 |
| size of contactor can be combined company-specific | S3 |
| product extension auxiliary switch | Yes |
| power loss [W] for rated value of the current | |
| • at AC in hot operating state | 44 W |
| • at AC in hot operating state per pole | 14.7 W |
| insulation voltage with degree of pollution 3 at AC rated value | 1 000 V |
| surge voltage resistance rated value | 8 kV |
| shock resistance according to IEC 60068-2-27 | 25g / 11 ms Sinus |
| mechanical service life (operating cycles) | |
| • of the main contacts typical | 25 000 |
| • of auxiliary contacts typical | 25 000 |
| electrical endurance (operating cycles) typical | 25 000 |
| type of protection according to ATEX directive 2014/34/EU | Ex II (2) GD |
| certificate of suitability according to ATEX directive 2014/34/EU | DMT 02 ATEX F 001 |
| reference code according to IEC 81346-2 | Q |
| Substance Prohibitance (Date) | 03/01/2017 |
| SVHC substance name | Blei - 7439-92-1 |
| Ambient conditions | |
| installation altitude at height above sea level maximum | 2 000 m |
| ambient temperature | |
| • during operation | -20 ... +60 °C |
| • during storage | -50 ... +80 °C |
| • during transport | -50 ... +80 °C |
| relative humidity during operation | 10 ... 95 % |
| Main circuit | |
| number of poles for main current circuit | 3 |
| adjustable current response value current of the current-dependent overload release | 80 ... 100 A |
| operating voltage | |
| • rated value | 20 ... 690 V |
| • at AC-3 rated value maximum | 690 V |
| • at AC-3e rated value maximum | 690 V |
| operating frequency rated value | 50 ... 60 Hz |
| operational current rated value | 100 A |

| | |
|---|--|
| operational current | |
| <ul style="list-style-type: none"> • at AC-3 at 400 V rated value • at AC-3e at 400 V rated value | 100 A 100 A |
| operating power | |
| <ul style="list-style-type: none"> • at AC-3 <ul style="list-style-type: none"> — at 230 V rated value — at 400 V rated value — at 500 V rated value — at 690 V rated value • at AC-3e <ul style="list-style-type: none"> — at 230 V rated value — at 400 V rated value — at 500 V rated value — at 690 V rated value | 30 kW 45 kW 55 kW 90 kW 30 kW 45 kW 55 kW 90 kW |
| operating frequency | |
| <ul style="list-style-type: none"> • at AC-3 maximum • at AC-3e maximum | 15 1/h 15 1/h |
| Protective and monitoring functions | |
| product function | |
| <ul style="list-style-type: none"> • ground fault detection • phase failure detection | No Yes |
| trip class | CLASS 10 |
| design of the overload release | thermal |
| maximum short-circuit current breaking capacity (I_{cu}) | |
| <ul style="list-style-type: none"> • at AC at 240 V rated value • at AC at 400 V rated value • at AC at 500 V rated value • at AC at 690 V rated value | 100 kA 65 kA 8 kA 5 kA |
| operating short-circuit current breaking capacity (I_{cs}) at AC | |
| <ul style="list-style-type: none"> • at 240 V rated value • at 400 V rated value • at 500 V rated value • at 690 V rated value | 100 kA 30 kA 4 kA 3 kA |
| response value current of instantaneous short-circuit trip unit | 1 300 A |
| UL/CSA ratings | |
| full-load current (FLA) for 3-phase AC motor | |
| <ul style="list-style-type: none"> • at 480 V rated value • at 600 V rated value | 100 A 100 A |
| yielded mechanical performance [hp] | |
| <ul style="list-style-type: none"> • for single-phase AC motor <ul style="list-style-type: none"> — at 110/120 V rated value — at 230 V rated value • for 3-phase AC motor <ul style="list-style-type: none"> — at 200/208 V rated value — at 220/230 V rated value — at 460/480 V rated value — at 575/600 V rated value | 7.5 hp 20 hp 30 hp 40 hp 75 hp 100 hp |
| Short-circuit protection | |
| product function short circuit protection | Yes |
| design of the short-circuit trip | magnetic |
| Installation/ mounting/ dimensions | |
| mounting position | any |
| fastening method | screw and snap-on mounting onto 35 mm DIN rail according to DIN EN 60715 |
| height | 165 mm |
| width | 70 mm |
| depth | 176 mm |
| required spacing | |
| <ul style="list-style-type: none"> • with side-by-side mounting at the side • for grounded parts at 400 V <ul style="list-style-type: none"> — downwards | 0 mm 70 mm |

| | |
|-------------------------------|--------|
| — upwards | 70 mm |
| — at the side | 10 mm |
| • for live parts at 400 V | |
| — downwards | 70 mm |
| — upwards | 70 mm |
| — at the side | 10 mm |
| • for grounded parts at 500 V | |
| — downwards | 110 mm |
| — upwards | 110 mm |
| — at the side | 10 mm |
| • for live parts at 500 V | |
| — downwards | 110 mm |
| — upwards | 110 mm |
| — at the side | 10 mm |
| • for grounded parts at 690 V | |
| — downwards | 150 mm |
| — upwards | 150 mm |
| — at the side | 30 mm |
| • for live parts at 690 V | |
| — downwards | 150 mm |
| — upwards | 150 mm |
| — at the side | 30 mm |

Connections/ Terminals

| | |
|--|--|
| type of electrical connection | |
| • for main current circuit | screw-type terminals |
| arrangement of electrical connectors for main current circuit | Top and bottom |
| type of connectable conductor cross-sections | |
| • for main contacts | |
| — solid | 2x (2.5 ... 16 mm ²) |
| — solid or stranded | 2x (2,5 ... 50 mm ²), 1x (10 ... 70 mm ²) |
| — finely stranded with core end processing | 2x (2.5 ... 35 mm ²), 1x (2.5 ... 50 mm ²) |
| — finely stranded without core end processing | 2x (10 ... 35 mm ²), 1x (10 ... 50 mm ²) |
| tightening torque | |
| • for main contacts for ring cable lug | 4.5 ... 6 N·m |
| outer diameter of the usable ring cable lug maximum | 19 mm |
| tightening torque | |
| • for main contacts with screw-type terminals | 4.5 ... 6 N·m |

Safety related data

| | |
|--|--|
| proportion of dangerous failures | |
| • with low demand rate according to SN 31920 | 50 % |
| • with high demand rate according to SN 31920 | 50 % |
| B10 value with high demand rate according to SN 31920 | 5 000 |
| IEC 61508 | |
| T1 value for proof test interval or service life according to IEC 61508 | 10 a |
| Electrical Safety | |
| protection class IP on the front according to IEC 60529 | IP20 |
| touch protection on the front according to IEC 60529 | finger-safe, for vertical contact from the front |
| display version for switching status | Handle |

Approvals Certificates

General Product Approval



[Confirmation](#)



[KC](#)

General Product Approval

For use in hazardous locations

Test Certificates

Marine / Shipping



[Type Test Certificates/Test Report](#)

[Special Test Certificate](#)



Marine / Shipping

other



[Miscellaneous](#)

other

Railway

Environment

[Confirmation](#)



[Confirmation](#)

[EPD Typ II/III \(with life cycle assessment\)](#)

Further information

Information on the packaging

<https://support.industry.siemens.com/cs/ww/en/view/109813875>

Information- and Downloadcenter (Catalogs, Brochures,...)

<https://www.siemens.com/ic10>

Industry Mall (Online ordering system)

<https://mall.industry.siemens.com/mall/en/en/Catalog/product?mlfb=3RV2041-4MA10>

Cax online generator

<http://support.automation.siemens.com/WW/CAXorder/default.aspx?lang=en&mlfb=3RV2041-4MA10>

Service&Support (Manuals, Certificates, Characteristics, FAQs,...)

<https://support.industry.siemens.com/cs/ww/en/ps/3RV2041-4MA10>

Image database (product images, 2D dimension drawings, 3D models, device circuit diagrams, EPLAN macros, ...)

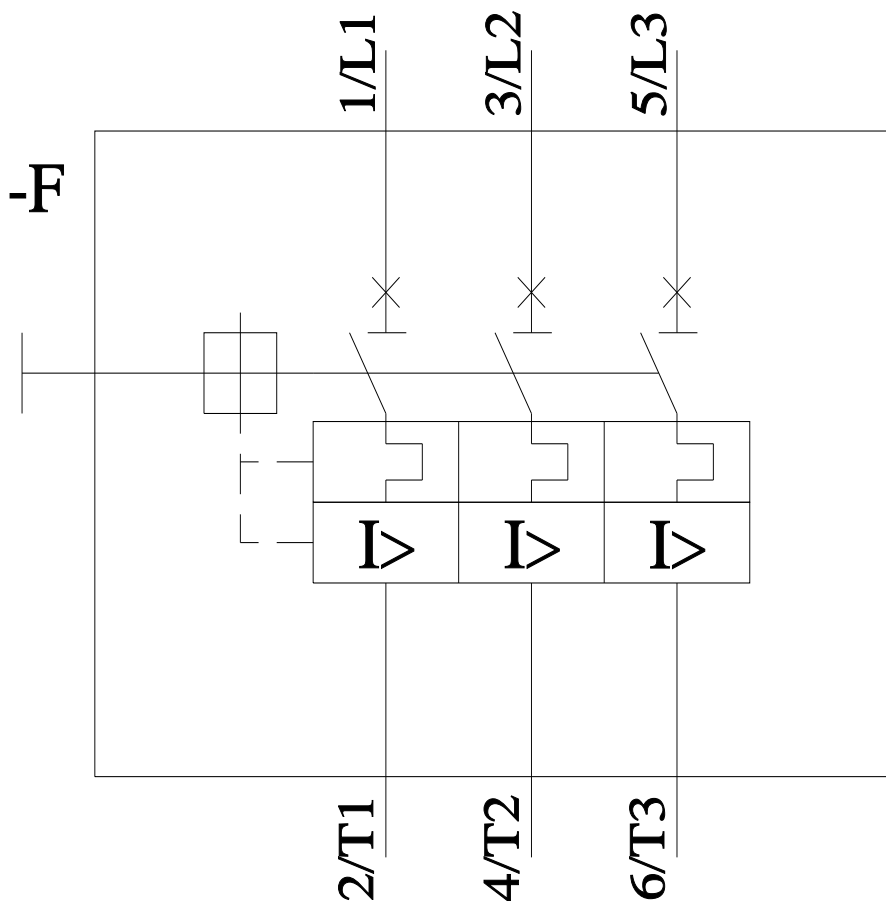
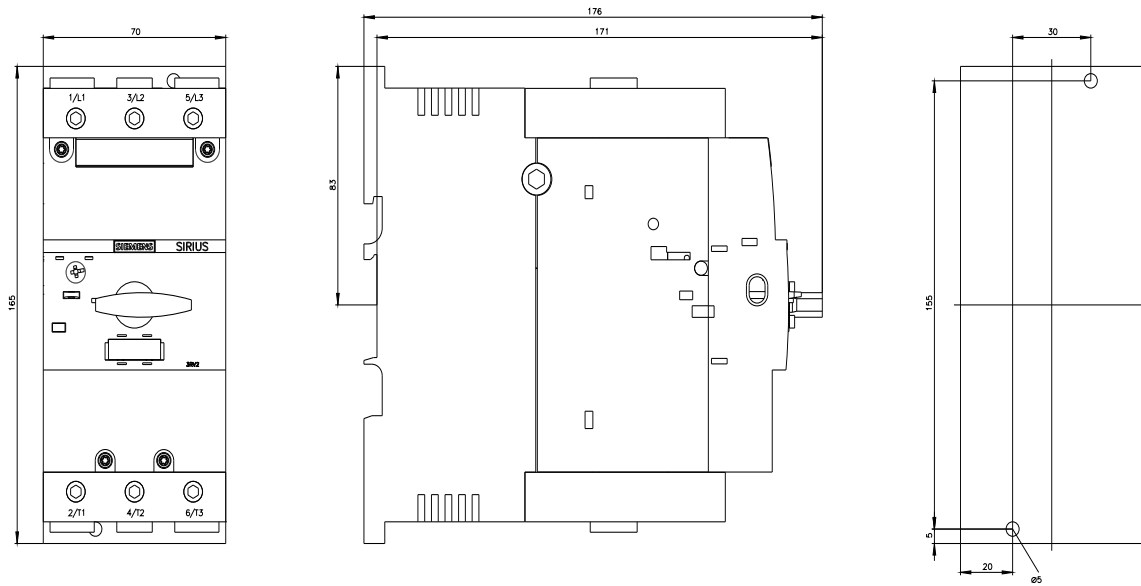
http://www.automation.siemens.com/bilddb/cax_de.aspx?mlfb=3RV2041-4MA10&lang=en

Characteristic: Tripping characteristics, I²t, Let-through current

<https://support.industry.siemens.com/cs/ww/en/ps/3RV2041-4MA10/char>

Further characteristics (e.g. electrical endurance, switching frequency)

<http://www.automation.siemens.com/bilddb/index.aspx?view=Search&mlfb=3RV2041-4MA10&objecttype=14&gridview=view1>



last modified:

9/5/2023 