



Voltage transformer Circuit breaker, Size S00 1.4 A, N-release 6 A, 1 CO with transverse auxiliary switch

<b>product brand name</b>	SIRIUS
<b>product designation</b>	Circuit breaker
<b>design of the product</b>	for distance protection
<b>product type designation</b>	3RV1
<b>General technical data</b>	
<b>size of the circuit-breaker</b>	S00
product extension auxiliary switch	Yes
<b>power loss [W] for rated value of the current</b>	
• at AC in hot operating state	7.25 W
• at AC in hot operating state per pole	2.4 W
insulation voltage with degree of pollution 3 at AC rated value	690 V
<b>surge voltage resistance rated value</b>	6 kV
<b>mechanical service life (operating cycles)</b>	
• of the main contacts typical	10 000
• of auxiliary contacts typical	10 000
<b>reference code according to IEC 81346-2</b>	Q
<b>Substance Prohibitance (Date)</b>	01/01/2013
<b>SVHC substance name</b>	Blei - 7439-92-1
<b>Ambient conditions</b>	
installation altitude at height above sea level maximum	2 000 m
<b>ambient temperature</b>	
• during operation	-20 ... +60 °C
• during storage	-50 ... +80 °C
• during transport	-50 ... +80 °C
relative humidity during operation	10 ... 95 %
<b>Main circuit</b>	
<b>number of poles for main current circuit</b>	3
<b>operating voltage</b>	
• rated value	20 ... 690 V
• at AC-3 rated value maximum	400 V
• at AC-3e rated value maximum	400 V
<b>operating frequency rated value</b>	60 Hz
<b>operational current rated value</b>	1.4 A
<b>operational current</b>	
• at AC-3 at 400 V rated value	1.4 A
• at AC-3e at 400 V rated value	1.4 A
<b>operating frequency</b>	
• at AC-3 maximum	15 1/h
• at AC-3e maximum	15 1/h
<b>Auxiliary circuit</b>	

<b>design of the auxiliary switch</b>	transverse
<b>number of NC contacts for auxiliary contacts</b>	
•	1
• note	1
<b>number of NO contacts for auxiliary contacts</b>	
•	1
• note	1
<b>number of CO contacts for auxiliary contacts</b>	1
<b>operational current of auxiliary contacts at DC-13</b>	
• at 24 V	0.3 A
• at 60 V	0.3 A
<b>Protective and monitoring functions</b>	
<b>product function</b>	
• ground fault detection	No
• phase failure detection	Yes
<b>design of the overload release</b>	thermal
<b>maximum short-circuit current breaking capacity (Icu)</b>	
• at AC at 240 V rated value	100 kA
• at AC at 400 V rated value	50 kA
<b>operating short-circuit current breaking capacity (Ics) at AC</b>	
• at 240 V rated value	100 kA
• at 400 V rated value	50 kA
<b>response value current of instantaneous short-circuit trip unit</b>	6 A
<b>UL/CSA ratings</b>	
<b>full-load current (FLA) for 3-phase AC motor</b>	
• at 480 V rated value	1.4 A
• at 600 V rated value	1.4 A
<b>Short-circuit protection</b>	
<b>product function short circuit protection</b>	Yes
<b>design of the short-circuit trip</b>	magnetic
<b>design of the fuse link</b>	
• for short-circuit protection of the auxiliary switch required	2A FF 250V/1.1kA
<b>design of the fuse link for IT network for short-circuit protection of the main circuit</b>	
• at 240 V	none required
• at 400 V	gL/gG 20 A
• at 500 V	gL/gG 20 A
• at 690 V	gL/gG 20 A
<b>Installation/ mounting/ dimensions</b>	
<b>mounting position</b>	any
<b>fastening method</b>	screw and snap-on mounting onto 35 mm DIN rail according to DIN EN 60715
<b>height</b>	90 mm
<b>width</b>	45 mm
<b>depth</b>	75 mm
<b>required spacing</b>	
• for grounded parts at 400 V	
— downwards	20 mm
— upwards	20 mm
— at the side	9 mm
• for live parts at 400 V	
— downwards	20 mm
— upwards	20 mm
— at the side	9 mm
• for grounded parts at 500 V	
— downwards	20 mm
— upwards	20 mm
— at the side	9 mm
• for live parts at 500 V	
— downwards	20 mm
— upwards	20 mm
— at the side	9 mm

- for grounded parts at 690 V
  - downwards 20 mm
  - upwards 20 mm
  - backwards 0 mm
  - at the side 9 mm
  - forwards 0 mm
- for live parts at 690 V
  - downwards 20 mm
  - upwards 20 mm
  - backwards 0 mm
  - at the side 9 mm
  - forwards 0 mm

### Connections/ Terminals

<b>type of electrical connection</b>	
<ul style="list-style-type: none"> <li>• for main current circuit</li> <li>• for auxiliary and control circuit</li> </ul>	screw-type terminals screw-type terminals
<b>arrangement of electrical connectors for main current circuit</b>	Top and bottom
<b>type of connectable conductor cross-sections</b>	
<ul style="list-style-type: none"> <li>• for main contacts               <ul style="list-style-type: none"> <li>— solid or stranded</li> <li>— finely stranded with core end processing</li> </ul> </li> </ul>	2x (0,5 ... 1,5 mm <sup>2</sup> ), 2x (0,75 ... 2,5 mm <sup>2</sup> ), 2x (1 ... 4 mm <sup>2</sup> ) 2x (0,5 ... 1,5 mm <sup>2</sup> ), 2x (0,75 ... 2,5 mm <sup>2</sup> )
<b>type of connectable conductor cross-sections</b>	
<ul style="list-style-type: none"> <li>• for auxiliary contacts               <ul style="list-style-type: none"> <li>— solid or stranded</li> </ul> </li> </ul>	2x (0,5 ... 1,5 mm <sup>2</sup> ), 2x (0,75 ... 2,5 mm <sup>2</sup> )
<b>tightening torque</b>	
<ul style="list-style-type: none"> <li>• for main contacts with screw-type terminals</li> <li>• for auxiliary contacts with screw-type terminals</li> </ul>	0,8 ... 1,2 N·m 0,8 ... 1,2 N·m
<b>size of the screwdriver tip</b>	Pozidriv size 2
<b>design of the thread of the connection screw</b>	
<ul style="list-style-type: none"> <li>• for main contacts</li> <li>• of the auxiliary and control contacts</li> </ul>	M3 M3

### Electrical Safety

<b>protection class IP on the front according to IEC 60529</b>	IP20
<b>touch protection on the front according to IEC 60529</b>	finger-safe, for vertical contact from the front
display version for switching status	Rocker switch

### Approvals Certificates

#### General Product Approval



[Confirmation](#)



#### Test Certificates

#### Marine / Shipping

[Special Test Certificate](#)

[Type Test Certificates/Test Report](#)



#### Marine / Shipping

#### other

#### Railway



[Miscellaneous](#)

[Confirmation](#)



[Special Test Certificate](#)

### Further information

#### Information on the packaging

<https://support.industry.siemens.com/cs/ww/en/view/109813875>

Information- and Downloadcenter (Catalogs, Brochures,...)

<https://www.siemens.com/ic10>

Industry Mall (Online ordering system)

<https://mall.industry.siemens.com/mall/en/en/Catalog/product?mlfb=3RV1611-1AG14>

Cax online generator

<http://support.automation.siemens.com/WWW/CAXorder/default.aspx?lang=en&mlfb=3RV1611-1AG14>

Service&Support (Manuals, Certificates, Characteristics, FAQs,...)

<https://support.industry.siemens.com/cs/ww/en/ps/3RV1611-1AG14>

Image database (product images, 2D dimension drawings, 3D models, device circuit diagrams, EPLAN macros, ...)

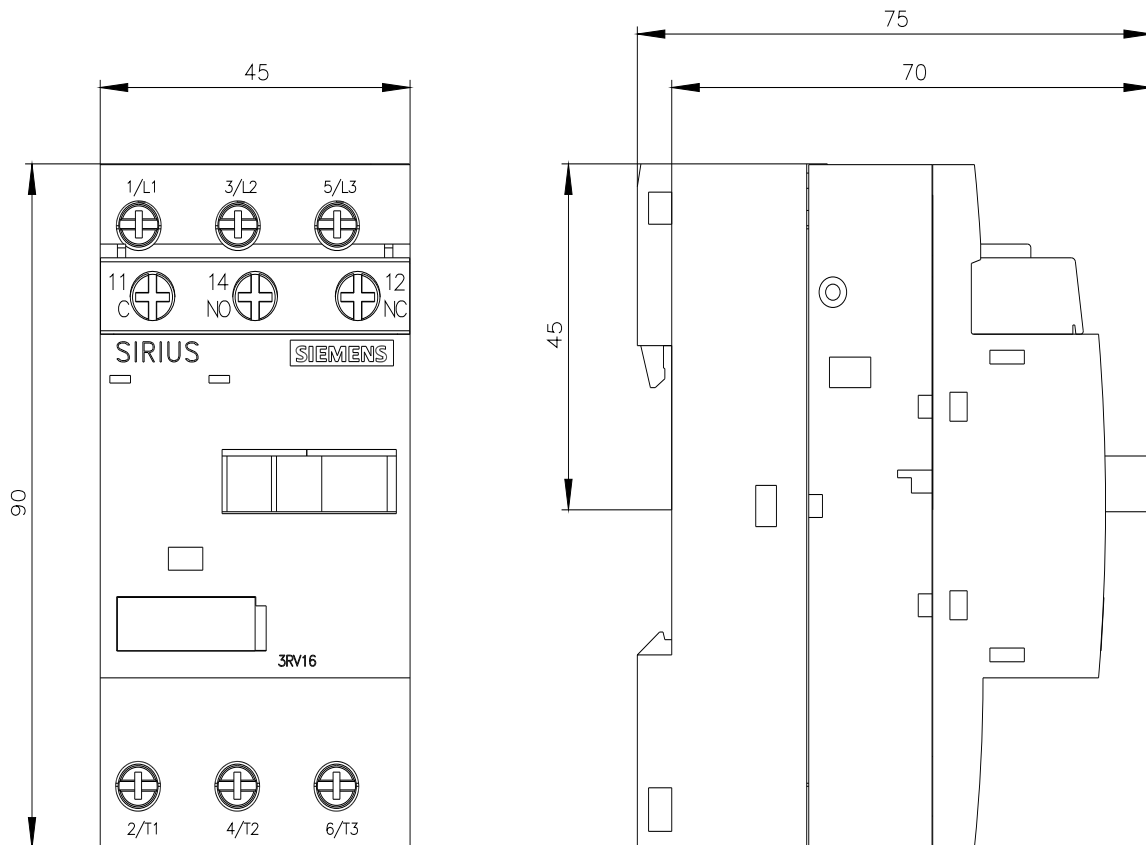
[http://www.automation.siemens.com/bilddb/cax\\_de.aspx?mlfb=3RV1611-1AG14&lang=en](http://www.automation.siemens.com/bilddb/cax_de.aspx?mlfb=3RV1611-1AG14&lang=en)

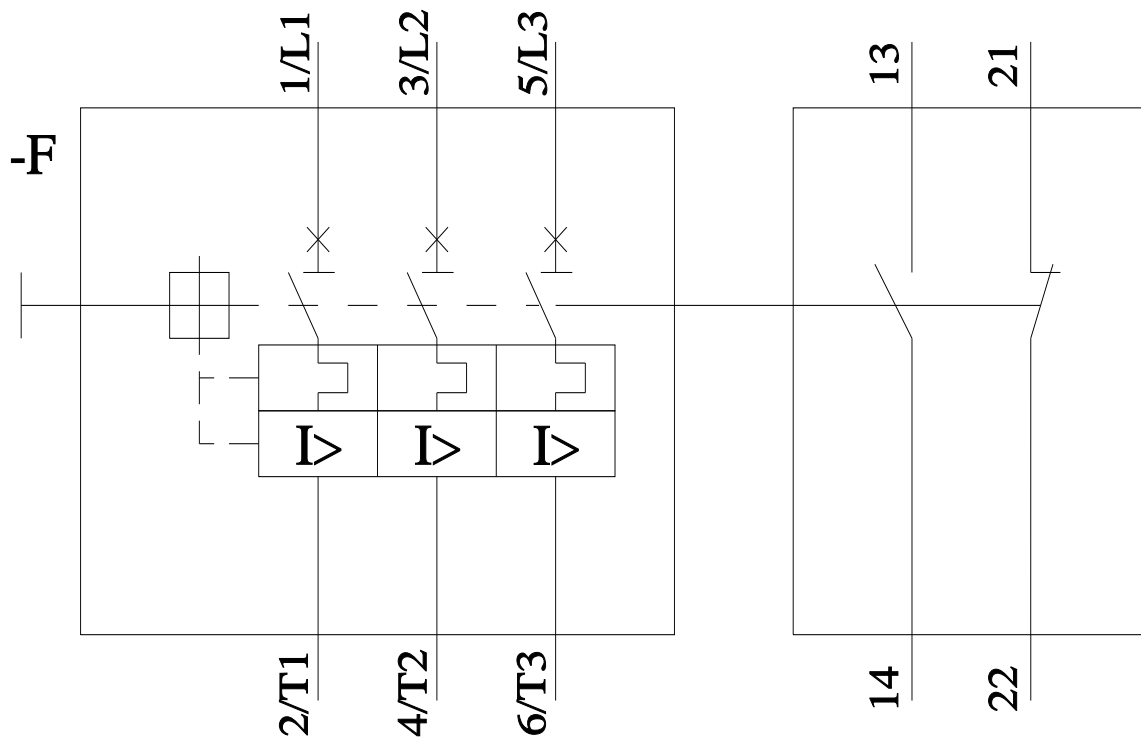
Characteristic: Tripping characteristics, I<sub>t</sub>, Let-through current

<https://support.industry.siemens.com/cs/ww/en/ps/3RV1611-1AG14/char>

Further characteristics (e.g. electrical endurance, switching frequency)

<http://www.automation.siemens.com/bilddb/index.aspx?view=Search&mlfb=3RV1611-1AG14&objecttype=14&gridview=view1>





last modified:

9/5/2023 